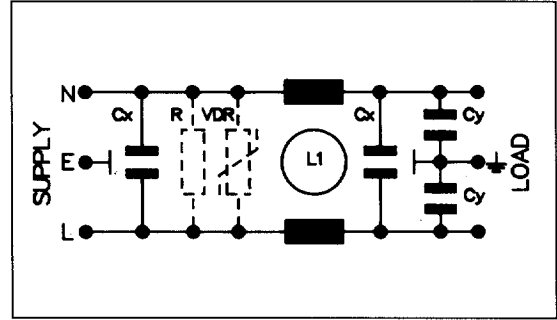


# Polysnap® Power Inlet Modules **B**BULGIN

## IEC Inlet - High Performance Filter



- EMI filter options for Polysnap modules BZV03, BZV04, BZV09, BZV10, BZV17, BZV18, BZH09, BZH10, BZH17, BZH18, BZM27, BZM28
- PX0575 style IEC inlet
- Using PS07/A style filter
- High Performance Attenuation Filter



**Bxxxx/Cxx x x / xx**

Polysnap Part No.	Filter Type	Rating	L/C Circuit	Additional Components	Polysnap Part No.
From Polysnap Selection	C = High Performance	01 = 1A 03 = 3A 06 = 6A 10 = 10A	1 = Version 1 3 = Version 3	0 = None 1 = Bleed (R) Resistor 2 = Surge (VDR) Protection 3 = "R" plus "VDR"	From Polysnap Selection

Rating	Version	L1	Cx	Cy	Part No. Example
1 AMP	1	2 x 2.8mH	2 x 15nF	2 x 2.2nF	<b>BZH09/C1033/03 =</b> BZH style Polysnap module with PX0575 IEC power inlet, filter rated at 10 amps, L/C circuit version 3 (L1 = 2 x 0.17mH, Cx = 2 x 47nF, Cy = 2 x 2.2nF), with bleed resistor and surge protection device fitted, 6.3mm tabs and red neon indicator.
"	2				
"	3	2 x 10mH	2 x 47nF	2 x 2.2nF	
3 AMP	1	2 x 1.8mH	2 x 15nF	2 x 2.2nF	
"	2				
"	3	2 x 3mH	2 x 47nF	2 x 2.2nF	
6 AMP	1	2 x 0.7mH	2 x 15nF	2 x 2.2nF	
"	2				
"	3	2 x 0.7mH	2 x 47nF	2 x 2.2nF	
10 AMP	1				
"	2				
"	3	2 x 0.17mH	2 x 47nF	2 x 2.2nF	

Filter Specification	
Max. Working Voltage:	250V a.c. 50-400Hz
Earth Leakage Current:	<0.35mA (250V, 50Hz)
Temperature Range:	-25°C to +85°C
Max. Ambient Temp.: (@ Full Load)	40°C (derate linearly to 0A @ 85°C)
Test Voltage:	2700V d.c. 2 secs. Lines to Earth 1100V d.c. 2 secs. Live to Neutral
Approvals:	
Attenuation Curves:	See PS07/A filter, page 119