

**PRIMARY SIDE CONTROL IC FOR OFF-LINE BATTERY CHARGERS AP3708N****General Description**

The AP3708N is a high performance AC/DC power supply controller for battery charger and adapter applications. The device uses Pulse Frequency Modulation (PFM) method to build discontinuous conduction mode (DCM) flyback power supplies.

The AP3708N provides accurate constant voltage, constant current (CV/CC) regulation without requiring the opto-coupler and the secondary control circuitry. It also eliminates the need of loop compensation circuitry while maintaining stability.

The AP3708N achieves excellent regulation and high power efficiency, the no-load power consumption is less than 150mW.

The AP3708N is available in SOIC-8 package.

**Features**

- Primary Side Control for Rectangular Constant Current and Constant Voltage Output
- Eliminates Opto-Coupler and Secondary CV/CC Control Circuitry
- Eliminates Control Loop Compensation Circuitry
- Output Cable Resistor Compensation
- Flyback Topology in DCM Operation
- Random Frequency Modulation to Reduce System EMI
- Valley Turn on of External Power NPN Transistor
- Built-in Soft Start
- Over Voltage Protection
- Short Circuit Protection

**Applications**

- Adapters/Chargers for Cell/Cordless Phones, PDAs, MP3 and Other Portable Apparatus
- Standby and Auxiliary Power Supplies



Figure 1. Package Type of AP3708N

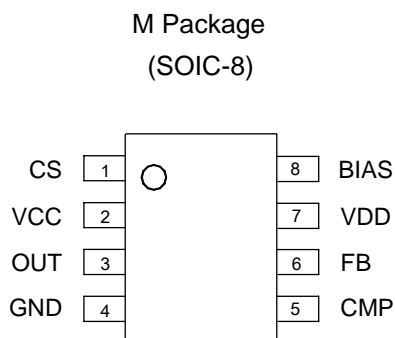
**PRIMARY SIDE CONTROL IC FOR OFF-LINE BATTERY CHARGERS AP3708N**
**Pin Configuration**


Figure 2. Pin Configuration of AP3708N (Top View)

**Pin Description**

Pin Number	Pin Name	Function
1	CS	The primary current sense
2,	VCC	Supply voltage
3	OUT	This pin drives the base of external power NPN switch
4	GND	Ground
5	CMP	This pin connects a capacitor for output cable compensation
6	FB	The voltage feedback from the auxiliary winding
7	VDD	The 5V output of the internal voltage regulator
8	BIAS	This pin sets the bias current inside AP3708N with an external resistor to GND



**PRIMARY SIDE CONTROL IC FOR OFF-LINE BATTERY CHARGERS AP3708N**

**Functional Block Diagram**

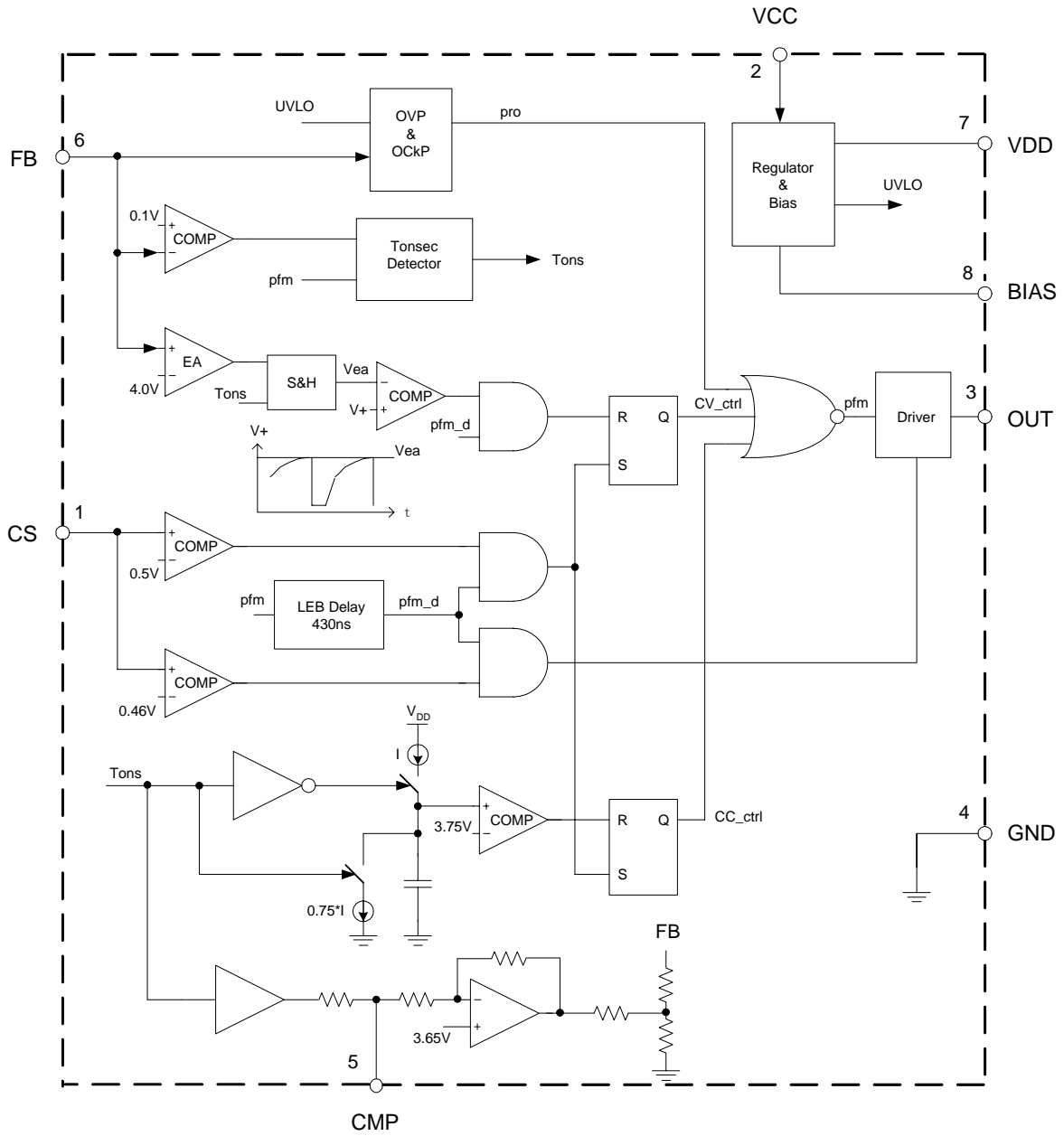
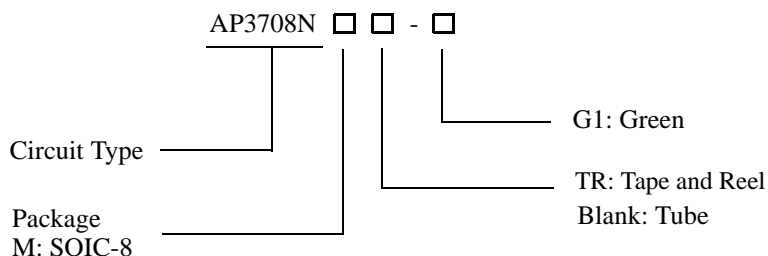


Figure 3. Functional Block Diagram of AP3708N

**PRIMARY SIDE CONTROL IC FOR OFF-LINE BATTERY CHARGERS AP3708N****Ordering Information**

Package	Temperature Range	Part Number	Marking ID	Packing Type
SOIC-8	-40 to 85°C	AP3708NM-G1	3708NM-G1	Tube
		AP3708NMTR-G1	3708NM-G1	Tape & Reel

BCD Semiconductor's Pb-free products, as designated with "G1" suffix in the part number, are RoHS compliant and green.

**Absolute Maximum Ratings (Note 1)**

Parameter	Value	Unit
Supply Voltage VCC	-0.3 to 30	V
Voltage at CS, BIAS, OUT, VDD, CMP to GND	-0.3 to 7	V
FB input (Pin 6)	-40 to 10	V
Output Current at OUT	Internally limited	A
Power Dissipation at T <sub>A</sub> =25°C	0.657	W
Operating Junction Temperature	150	°C
Storage Temperature	-65 to 150	°C
Lead Temperature (Soldering, 10s)	300	°C
Thermal Resistance Junction-to-Ambient	190	°C/W
ESD (Machine Model)	200	V

Note 1: Stresses greater than those listed under "Absolute Maximum Ratings" may cause permanent damage to the device. These are stress ratings only, and functional operation of the device at these or any other conditions beyond those indicated under "Recommended Operating Conditions" is not implied. Exposure to "Absolute Maximum Ratings" for extended periods may affect device reliability.



**PRIMARY SIDE CONTROL IC FOR OFF-LINE BATTERY CHARGERS AP3708N**

**Electrical Characteristics**

( $V_{CC}=15V$ ,  $T_A=25^{\circ}C$ , unless otherwise specified.)

Parameter	Symbol	Conditions	Min	Typ	Max	Unit
<b>UVLO SECTION</b>						
Start-up Threshold	$V_{TH(ST)}$		16.5	17.5	18.5	V
Minimal Operating Voltage	$V_{OPR(min)}$	After turn on	6.3	6.7	7.1	V
<b>REFERENCE VOLTAGE SECTION</b>						
BIAS Pin Voltage	$V_{BIAS}$	$R_{BIAS}=200k\Omega$ Before turn on	1.073	1.10	1.127	V
VDD Pin Voltage	$V_{DD}$		4.82	5.00	5.18	V
<b>STANDBY CURRENT SECTION</b>						
Start-up Current	$I_{ST}$	$V_{CC} = V_{TH(ST)}-0.5V$ , $R_{BIAS}=200k\Omega$ , Before turn on		44	52	$\mu A$
Operating Current	$I_{CC(OPR)}$	$R_{BIAS}=200k\Omega$		635	700	$\mu A$
<b>DRIVE OUTPUT SECTION</b>						
OUT Maximum Current	Sink	$I_{OUT}$	$R_{BIAS}=200k\Omega$	50		mA
	Source			24	30	
<b>CURRENT SENSE SECTION</b>						
Current Sense Threshold	$V_{CS}$		486	508	530	mV
Pre-Current Sense	$V_{CS(PRE)}$		388	410	432	mV
Leading Edge Blanking				430		ns
<b>FEEDBACK INPUT SECTION</b>						
Feedback Pin Input Leakage Current	$I_{FB}$	$V_{FB}=4V$	1.8	2.25	2.7	$\mu A$
Feedback Threshold Voltage	$V_{FB}$		3.99	4.03	4.07	V
Enable Turn-on Voltage	$V_{FB(EN)}$		-0.9	-0.7	-0.5	V
Cable Compensation Voltage		$f_{SW}=60kHz$		0.40		V
<b>PROTECTION SECTION</b>						
Over Voltage Protection	$V_{FB(OVP)}$		7	8	9	V



**PRIMARY SIDE CONTROL IC FOR OFF-LINE BATTERY CHARGERS AP3708N**

**Typical Performance Characteristics**

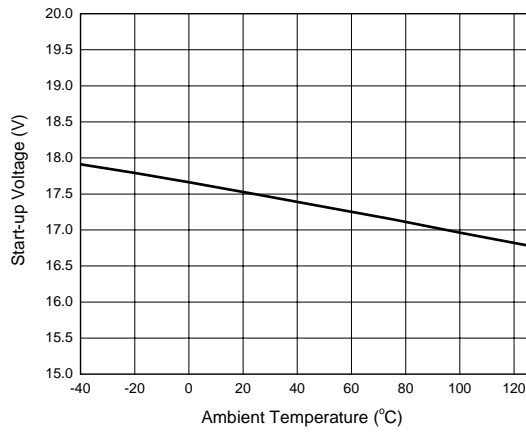


Figure 4. Start-up Voltage vs. Ambient Temperature

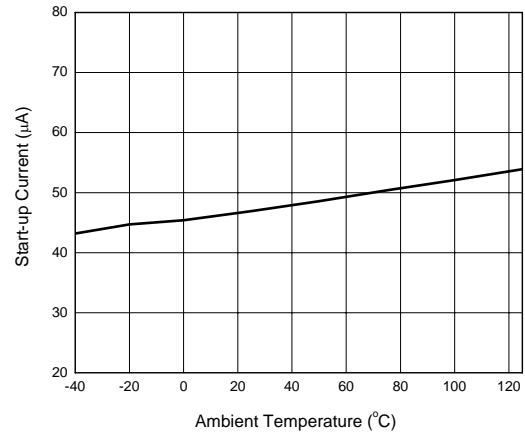


Figure 5. Start-up Current vs. Ambient Temperature

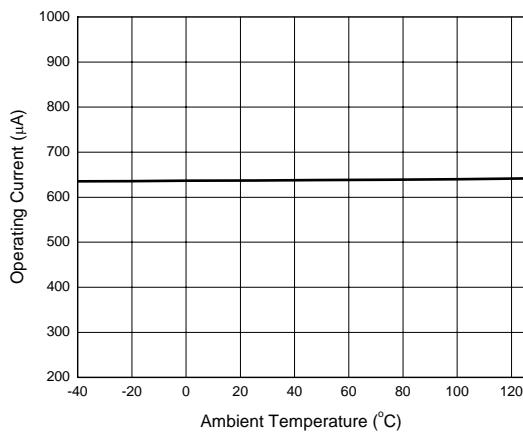


Figure 6. Operating Current vs. Ambient Temperature

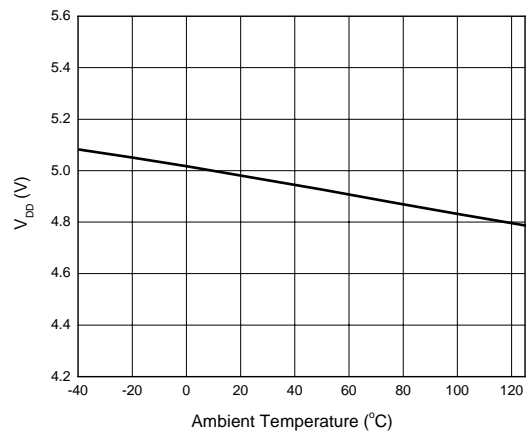


Figure 7. V<sub>DD</sub> vs. Ambient Temperature



**PRIMARY SIDE CONTROL IC FOR OFF-LINE BATTERY CHARGERS AP3708N**

**Typical Performance Characteristics (Continued)**

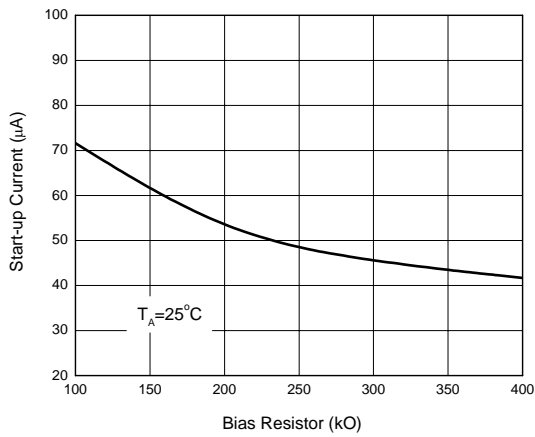


Figure 8. Start-up Current vs. Bias Resistor

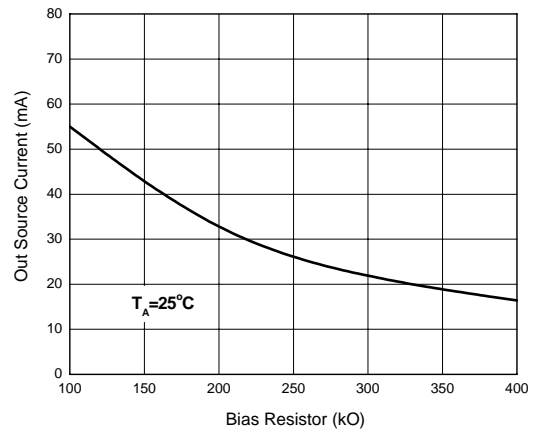


Figure 9. OUT Source Current vs. Bias Resistor

**PRIMARY SIDE CONTROL IC FOR OFF-LINE BATTERY CHARGERS AP3708N**

**Operation Description**

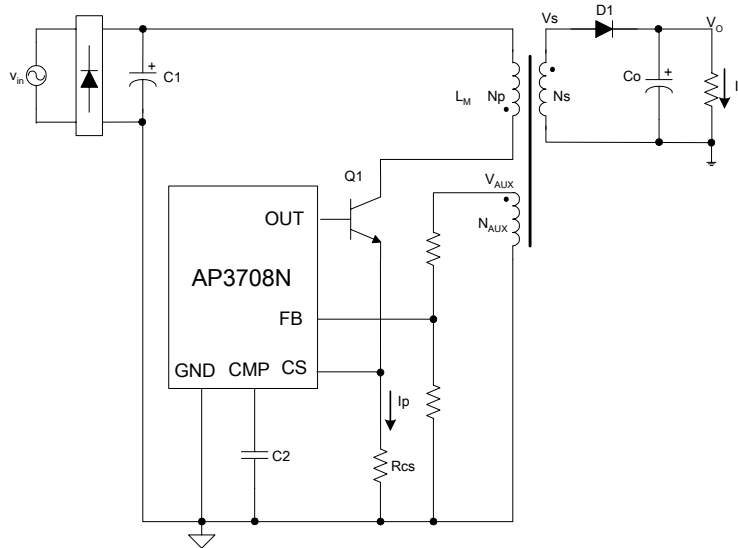


Figure 10. Simplified Flyback Converter Controlled by AP3708N

Figure 10 illustrates a simplified flyback converter controlled by AP3708N.

**Constant Primary Peak Current**

The primary current  $i_p(t)$  is sensed by a current sense resistor  $R_{CS}$  as shown in Figure 10.

The current rises up linearly at a rate of:

$$\frac{di_p(t)}{dt} = \frac{vg(t)}{L_M} \quad \dots\dots(1)$$

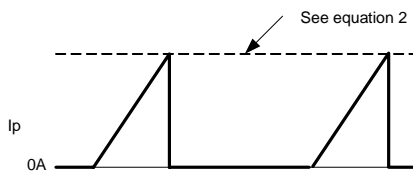


Figure 11. Primary Current Waveform

As illustrated in Figure 11, when the current  $i_p(t)$  rises up to  $I_{pk}$ , the switch Q1 turns off. The constant peak current is given by:

$$I_{pk} = \frac{V_{cs}}{R_{cs}} \quad \dots\dots(2)$$

The energy stored in the magnetizing inductance  $L_M$  each cycle is therefore:

$$E_g = \frac{1}{2} \times L_M \times I_{pk}^2 \quad \dots\dots(3)$$

So the power transferring from the input to the output is given by:

$$P = \frac{1}{2} \times L_M \times I_{pk}^2 \times f_{sw} \quad \dots\dots(4)$$

where  $f_{sw}$  is the switching frequency. When the peak current  $I_{pk}$  is constant, the output power depends on the switching frequency  $f_{sw}$ .

**Constant Voltage Operation**

The AP3708N captures the auxiliary winding feedback voltage at FB pin and operates in constant-voltage (CV) mode to regulate the output voltage. Assuming the secondary winding is master, the auxiliary winding is slave during the D1 on-time. The auxiliary voltage is given by:

$$V_{AUX} = \frac{N_{AUX}}{N_s} \times (V_o + V_d) \quad \dots\dots(5)$$



**PRIMARY SIDE CONTROL IC FOR OFF-LINE BATTERY CHARGERS AP3708N**
**Operation Description (Continued)**

where  $V_d$  is the diode forward drop voltage.

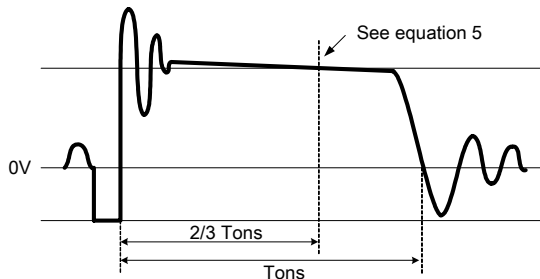


Figure 12. Auxiliary Voltage Waveform

The output voltage is different from the secondary voltage in a diode forward drop voltage that depends on the current. If the secondary voltage is always detected at a fixed secondary current, the difference between the output voltage and the secondary voltage will be a fixed  $V_d$ . The voltage detection point is at two-thirds of the D1 on-time. The CV loop control function of AP3708N then generates a D1 off-time to regulate the output voltage.

**Constant Current Operation**

Figure 13 shows the secondary current waveforms.

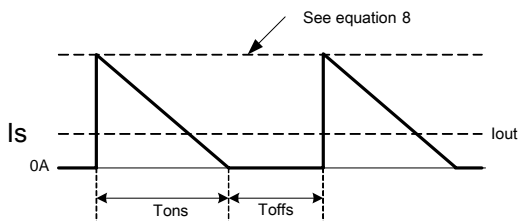


Figure 13. Secondary Current Waveform

In CC operation, the CC loop control function of AP3708N will keep a fixed proportion between D1 on-time  $T_{ons}$  and D1 off-time  $T_{offs}$  by discharging or charging the capacitance connected in CMP pin. The fixed proportion is

$$\frac{T_{ons}}{T_{offs}} = \frac{4}{3} \quad \text{.....(6)}$$

The relationship between the output constant-current and secondary peak current  $I_{pks}$  is given by:

$$I_{out} = \frac{1}{2} \times I_{pks} \times \frac{T_{ons}}{T_{ons} + T_{offs}} \quad \text{.....(7)}$$

At the instant of D1 turn-on, the primary current transfers to the secondary at an amplitude of:

$$I_{pks} = \frac{N_p}{N_s} \times I_{pk} \quad \text{.....(8)}$$

Thus the output constant-current is given by:

$$I_{out} = \frac{1}{2} \times \frac{N_p}{N_s} \times I_{pk} \times \frac{T_{ons}}{T_{ons} + T_{offs}} = \frac{2}{7} \times \frac{N_p}{N_s} \times I_{pk} \quad \text{.....(9)}$$

**Leading Edge Blanking**

When the power switch is turned on, a turn-on spike will occur on the sense-resistor. To avoid false-termination of the switching pulse, a 430ns leading-edge blanking is built in. During this blanking period, the current sense comparator is disabled and the gate driver can not be switched off.

**CCM Protection**

The AP3708N is designed to operate in discontinuous conduction mode (DCM) in both CV and CC modes. To avoid operating in continuous conduction mode (CCM), the AP3708N detects the falling edge of the FB input voltage on each cycle. If a 0.1V falling edge of FB is not detected, the AP3708N will stop switching.

**OVP & OckP**

The AP3708N includes output over-voltage protection (OVP) and open circuit protection (OckP) circuitry as shown in Figure 14. If the voltage at FB pin exceeds 8V, 100% above the normal detection voltage, or the -0.7V falling edge of the FB input can not be monitored, the AP3708N will immediately shut off and enter hiccup mode. The AP3708N sends out a fault detection pulse every 32ms in hiccup mode until the fault has been removed.

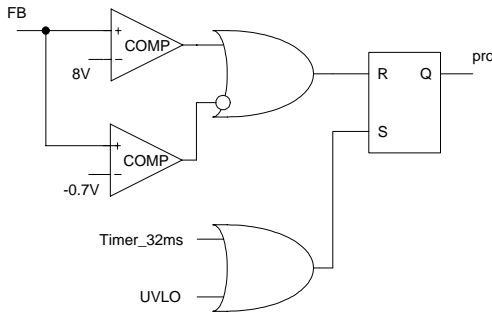
**Operation Description (Continued)**


Figure 14. OVP and OCP Function Block

**Output Cable Compensation**

The AP3708N integrates the output cable compensation circuitry as shown in Figure 15. Tons shows the variation for FB flyback voltage. Tons can be converted to a DC voltage by a low-pass filter. When system load current  $I_{out}$  changed from open load to full load  $I_{load}$ , The amplified voltage  $V_{out1}$  through a rail-to-rail operation amplifier is obtained:

$$V_{OUT1} = \left(1 + \frac{RB}{RA}\right) \times 3.65V - \frac{RB}{RA} \times V_{CMP} \quad \dots\dots(10)$$

Through the internal  $RA$  and  $RB$ , the FB voltage can be compensated by the  $V_{out1}$ , the compensation voltage is  $0.4V$  when full load switch frequency is  $60kHz$ .

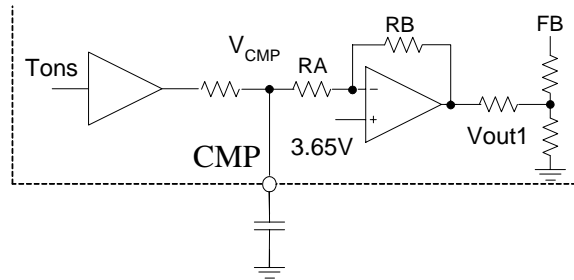


Figure 15. Output Cable Compensation Function Block

**PRIMARY SIDE CONTROL IC FOR OFF-LINE BATTERY CHARGERS AP3708N**

**Typical Application**

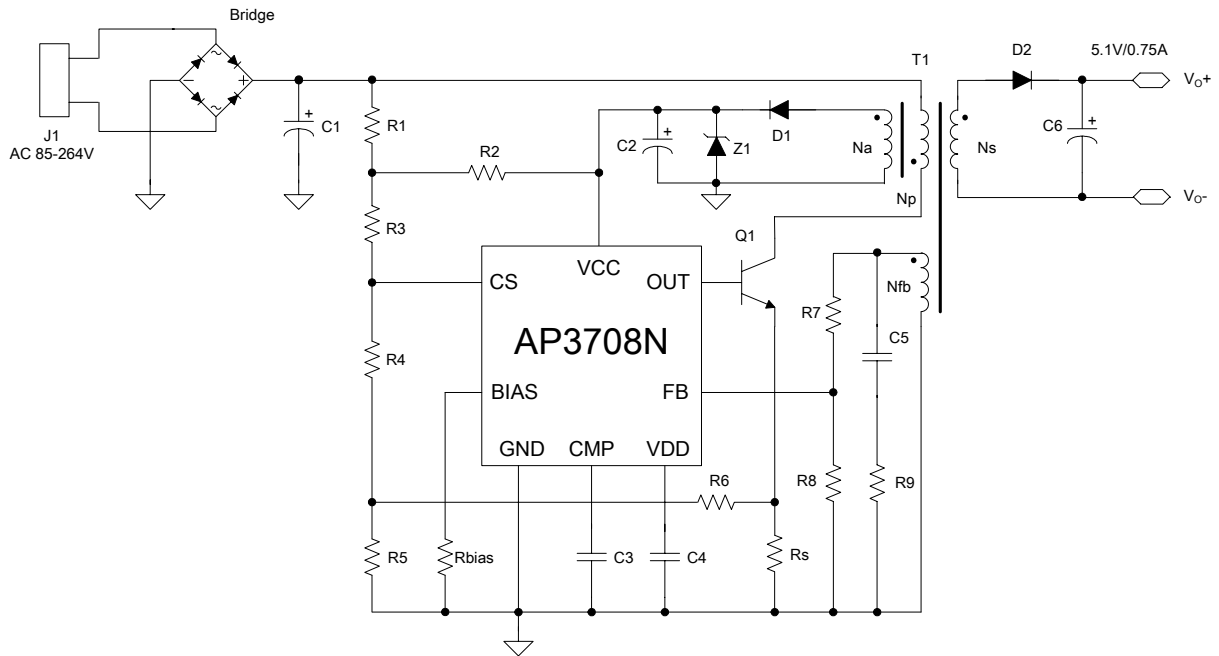


Figure 16. 5V/1A Output for Battery Charger of Mobile Phone

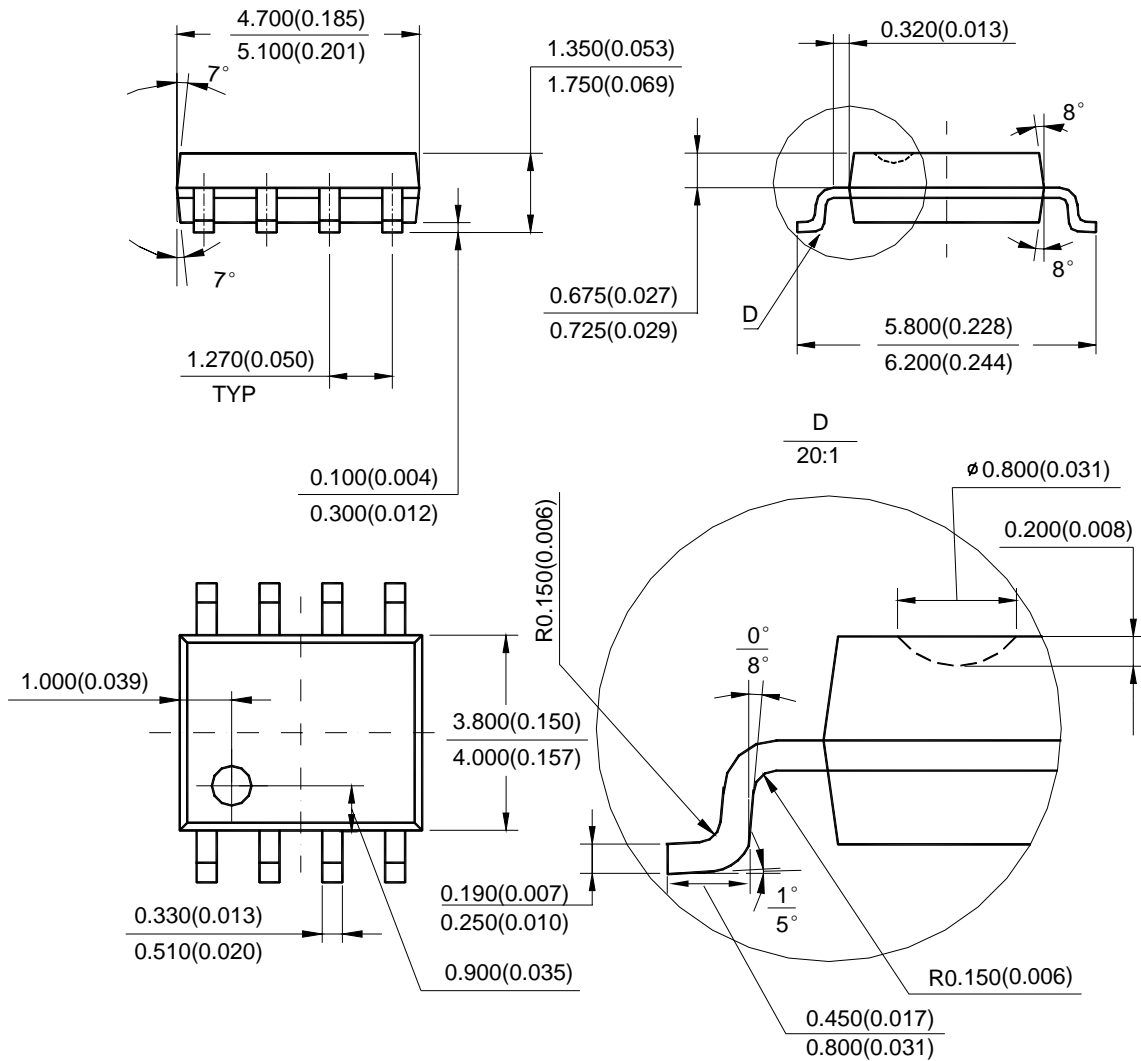


**PRIMARY SIDE CONTROL IC FOR OFF-LINE BATTERY CHARGERS AP3708N**

**Mechanical Dimensions**

**SOIC-8**

**Unit: mm(inch)**



Note: Eject hole, oriented hole and mold mark is optional.



## **BCD Semiconductor Manufacturing Limited**

<http://www.bcdsemi.com>

### **IMPORTANT NOTICE**

BCD Semiconductor Manufacturing Limited reserves the right to make changes without further notice to any products or specifications herein. BCD Semiconductor Manufacturing Limited does not assume any responsibility for use of any its products for any particular purpose, nor does BCD Semiconductor Manufacturing Limited assume any liability arising out of the application or use of any its products or circuits. BCD Semiconductor Manufacturing Limited does not convey any license under its patent rights or other rights nor the rights of others.

---

#### **MAIN SITE**

##### **- Headquarters**

##### **BCD Semiconductor Manufacturing Limited**

No. 1600, Zi Xing Road, Shanghai Zizhu Science-based Industrial Park, 200241, China  
Tel: +86-21-24162266, Fax: +86-21-24162277

##### **- Wafer Fab**

##### **Shanghai SIM-BCD Semiconductor Manufacturing Co., Ltd.**

800 Yi Shan Road, Shanghai 200233, China  
Tel: +86-21-6485 1491, Fax: +86-21-5450 0008

#### **REGIONAL SALES OFFICE**

##### **Shenzhen Office**

**Shanghai SIM-BCD Semiconductor Manufacturing Co., Ltd., Shenzhen Office**  
Room E, 5F, Noble Center, No.1006, 3rd Fuzhong Road, Futian District, Shenzhen,  
518026, China  
Tel: +86-755-8826 7951  
Fax: +86-755-8826 7865

##### **Taiwan Office**

**BCD Semiconductor (Taiwan) Company Limited**  
4F, 298-1, Rui Guang Road, Nei-Hu District, Taipei,  
Taiwan  
Tel: +886-2-2656 2808  
Fax: +886-2-2656 2806

##### **USA Office**

**BCD Semiconductor Corp.**  
30920 Huntwood Ave. Hayward,  
CA 94544, USA  
Tel : +1-510-324-2988  
Fax: +1-510-324-2788