

# SCM SERIES, HORIZONTAL WIRE ENTRY PART NUMBERING SCHEME

REV	ECN	APP'D
A	4062	IQ 9/2/00
B	4241	IQ 1/2/01
C	4631	IQ 10/26/01
D	4781	IQ 3/4/02
E	4929	IQ 8/8/02
F	5742	RW 12/28/05

SCM

NUMBER OF POSITIONS

ORIENTATION & NUMBER OF PINS

0 = 1 PIN HORIZONTAL  
1 = 2 PIN HORIZONTAL

CONTACT SPACING

0 = .200"  
1 = 5MM

L = ACTUATING LEVER  
N = W/O ENDCAP  
(FOR POST-PURCHASE ASSEMBLY)  
LN = ACTUATING LEVER W/O ENDCAP  
BLANK = STANDARD

SPECIAL MARKINGS

0 = STANDARD  
M = LT TO RT HORIZ.  
A = RT TO LT HORIZ.

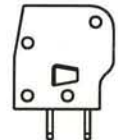
COLOR

0 = BLACK  
G = GREEN  
R = RED  
C = CREME

PERIMETER INDICATES CONTACT SPACING



.200"



5MM



RATINGS

CURRENT - 20A  
VOLTAGE - 300V  
U.L. FILE NO. E83421



RATINGS

CURRENT - 20A  
VOLTAGE - 300 V  
CSA FILE NO. LR69703

DIN VDE 0627:1986  
DIN VDE 0110-1:1989  
EN 60947-1:1991  
EN 60947-7-1:1992

CURRENT -20A  
VOLTAGE - 300 V  
TUV FILE NO. 20396

**MATERIALS:**

HOUSING / LEVER - NYLON, UL 94 V-0  
SPRING CLAMP - STAINLESS STEEL  
CONTACT - BRASS, TIN FINISH

**INSTALLATION RECOMMENDATIONS:**

WIRE RANGE - #12-28 AWG, SOLID OR STRANDED  
WIRE STRIP LENGTH - .220

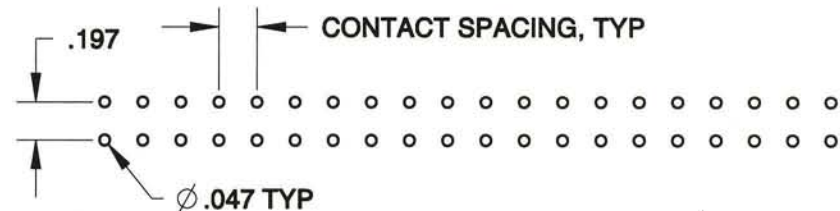
MAX OPERATING TEMP: 125° C

PART WITHSTANDS COMPONENT EQUILIBRIUM  
TEMP. OF 260° C FOR 3 MINUTES DURING  
SOLDERING PROCESS.

**PRINTED CIRCUIT BOARD CONFIGURATION**

RECOMMENDED THICKNESS: .062±.008

NOTE: ONLY ONE ROW NEEDED FOR 1 PIN CONNECTORS



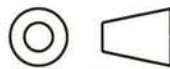
**DIMENSIONS**

ANSI Y14.5M  
UNITS: INCHES  
Pro/E FILE

**TOLERANCES**

.XX ±0.01  
.XXX ±0.005  
ANGLES ±2.0°

**PROJECTION**



Amphenol Pcd

ENGR

A. PATRIE 06-28-00

CHKD

I. QUINN 8/29/00

APPD

J. CAHALY 8/29/00

**TITLE**

SCM SERIES  
TERMINAL BLOCK ASSEMBLY  
HORIZONTAL WIRE ENTRY

SIZE

A

DWG NO.

SCM010000

REV

F

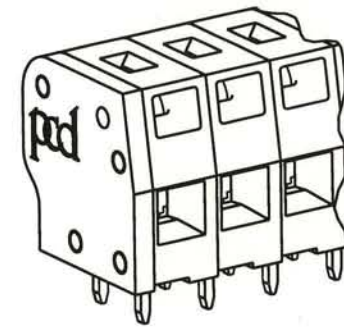
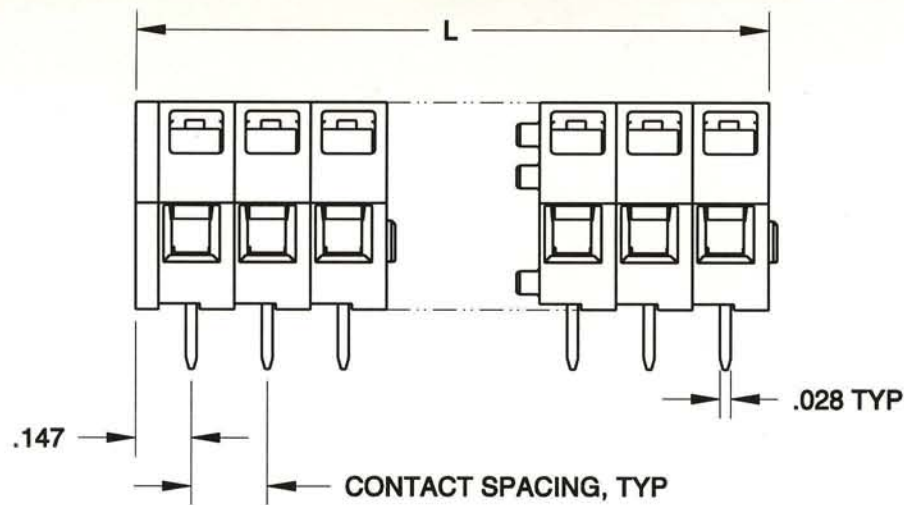
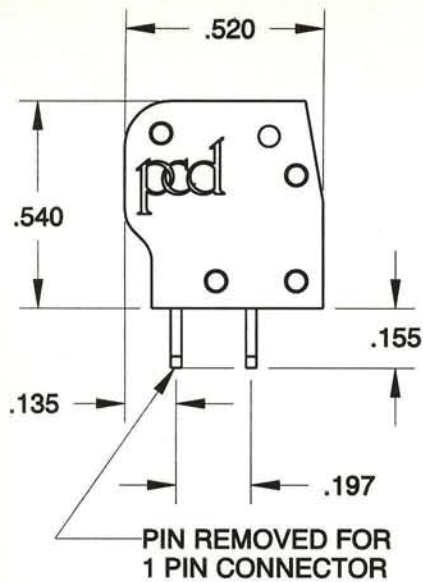
CODE: 58982

SCALE: NONE

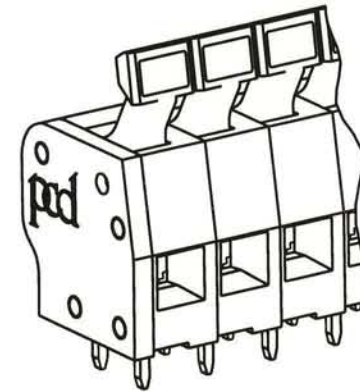
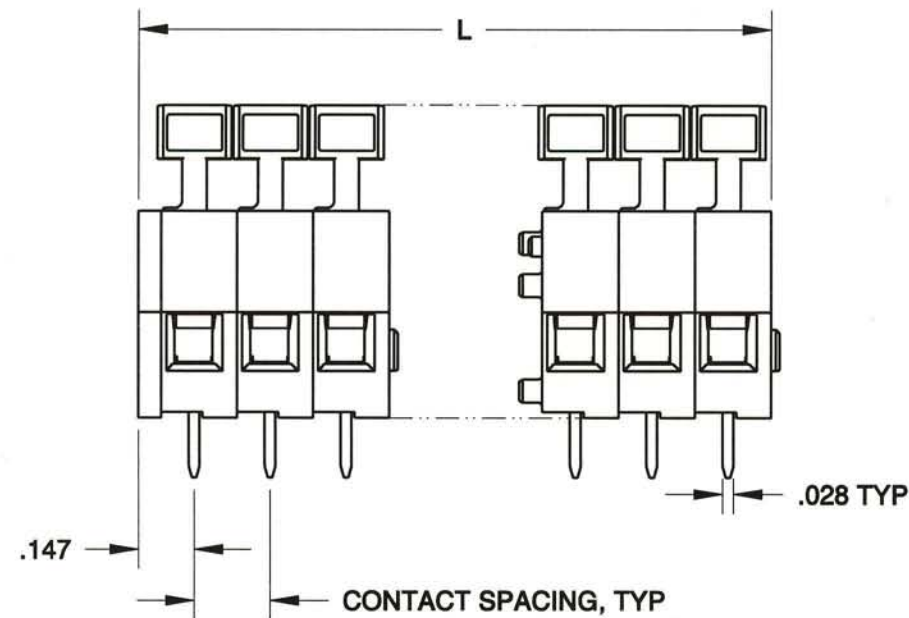
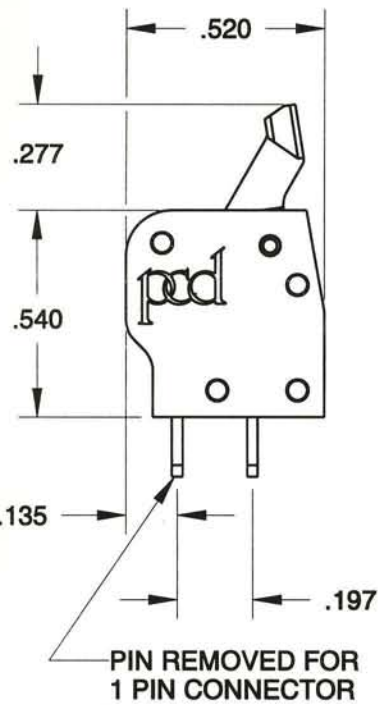
SHEET 1 OF 2

ORIGINAL  
STAMPED  
IN RED

THIS DOCUMENT CONTAINS  
PROPRIETARY INFORMATION WHICH  
IS THE CONFIDENTIAL PROPERTY  
OF AMPHENOL PCD, INC.  
PEABODY, MA, USA



STANDARD

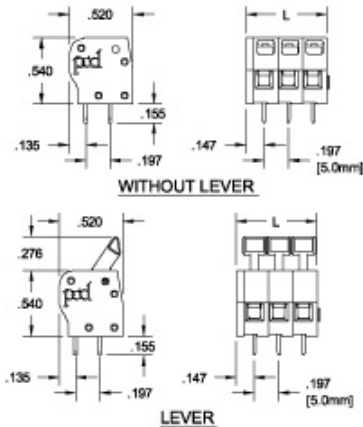
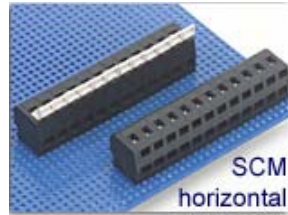


ACTUATING LEVER

L = NUMBER OF POS. X CONTACT SPACING + .060  
TYPICAL ALL CONFIGURATIONS

SIZE	DWG NO.	REV
A	SCM010000	F
CODE: 58982	SCALE: NONE	SHEET 2 OF 2

## 5.0mm (.197") SCM Wire -to- Board



Download part [PDF File](#)

Download part [DXF File](#)

Pos	Catalog # w/o Lever	Catalog # Lever	L (mm)
2	SCM021100	SCM021100L	11.5
3	SCM031100	SCM031100L	16.5
4	SCM041100	SCM041100L	21.5
5	SCM051100	SCM051100L	26.5
6	SCM061100	SCM061100L	31.5
7	SCM071100	SCM071100L	36.5
8	SCM081100	SCM081100L	41.5
9	SCM091100	SCM091100L	46.5
10	SCM101100	SCM101100L	51.5
11	SCM111100	SCM111100L	56.5
12	SCM121100	SCM121100L	61.5
13	SCM131100	SCM131100L	66.5
14	SCM141100	SCM141100L	71.5
15	SCM151100	SCM151100L	76.5
16	SCM161100	SCM161100L	81.5
17	SCM171100	SCM171100L	86.5
18	SCM181100	SCM181100L	91.5
19	SCM191100	SCM191100L	96.5
20	SCM201100	SCM201100L	101.5

Variations

Marking

Product Line Overview

SCM 5.0mm spring clamp terminal blocks are rated at 20A/300V—the highest in the industry—and are supplied in horizontal, angled and vertical configurations.

### Two Modes of Operation

Individual spring contact clamps are depressed to insert or remove wires by either actuating a finger lever or inserting a flat-bladed screwdriver in an actuation slot on the block.

### SMT Compatibility

The SCM is the only spring clamp terminal block available which is suitable for SMT reflow solder PCB manufacturing processes as well as wave solder; providing users with additional flexibility and maximizing production efficiencies by eliminating secondary solder operations. Blocks are molded of ultra-high-temperature, glass-filled polyamide that will withstand temperatures of 260° C during PCB production.

### SPECIFICATIONS:

Current Rating: 20A  
 Operating Voltage: 300V  
 Insulation Resistance: >103 Megohms  
 Dielectric Withstanding: <1600V  
 Wire Pullout Force:  
 Per UL 486E, Section 14

### MATERIALS:

Housing/Lever: PA, UL 94V-0, black  
 Contact: Brass, tin-lead finish  
 Spring Clamp: Stainless steel

### INSTALLATION:

Wire Range: 12-28 AWG  
 Wire Strip Length: .220"  
 Hole Diameter: .047 min.

### APPROVALS:



Consult factory for specific product recognitions

[Back to Home Page](#)

© Amphenol Pcd