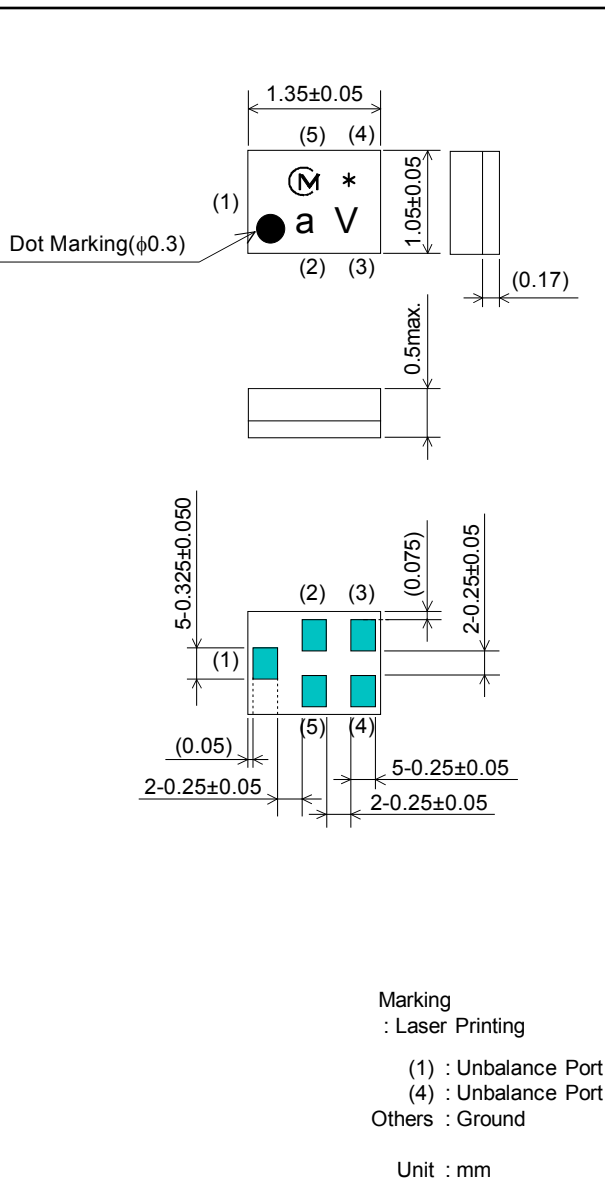


SAW FILTER FOR AWS/UMTS Band4 Rx

Murata part number : SAFEA2G13AA0F00

Package Dimensions



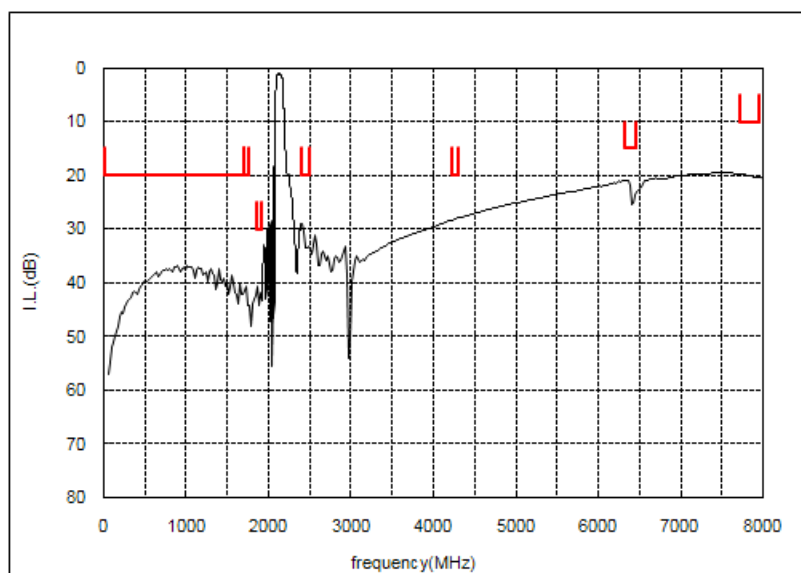
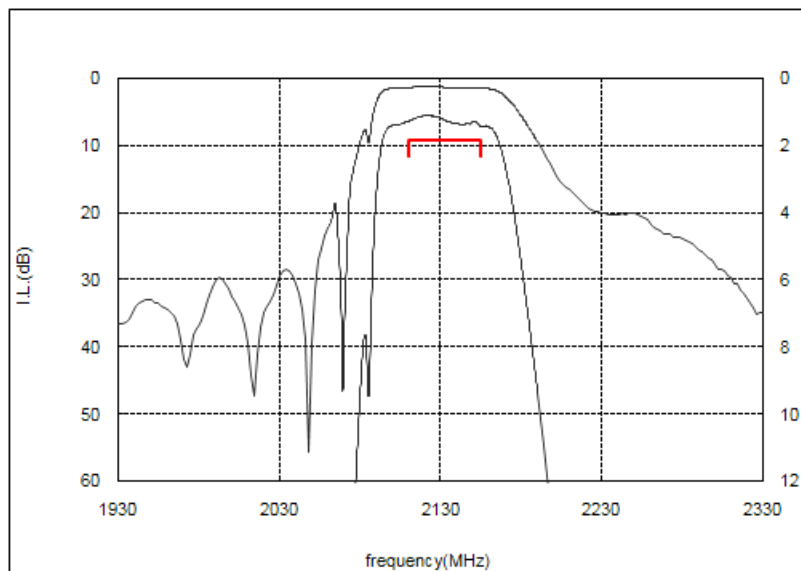
Specification

Item	Specification		
	-30 to 85°C	25±2°C	typ.
Nominal Center Frequency(fc)	2132.5MHz		
Insertion Loss (2110 to 2155MHz)	1.8 dB max.	1.6 dB max.	1.4 dB
Absolute Attenuation			
1) 10 to 1710 MHz	20 dB min.	20 dB min.	36 dB
2) 1710 to 1755 MHz	20 dB min.	20 dB min.	40 dB
3) 1850 to 1910 MHz	30 dB min.	30 dB min.	40 dB
4) 2400 to 2500 MHz	20 dB min.	20 dB min.	29 dB
5) 4220 to 4310 MHz	20 dB min.	20 dB min.	28 dB
6) 6330 to 6465 MHz	15 dB min.	15 dB min.	20 dB
7) 7720 to 7960 MHz	10 dB min.	10 dB min.	19 dB
Ripple Deviation (2110 to 2155MHz)	1.3 dB max.	1.2 dB max.	0.4dB
VSWR (2110 to 2155MHz)	2.0 max.	1.8 max.	1.6
Unbalance Port Matching Impedance (nominal)	50Ω		
Input Signal Level	20mW (+13dBm), 2000 hours		

SAW FILTER FOR AWS/UMTS Band4 Rx

Murata part number : SAFEA2G13AA0F00

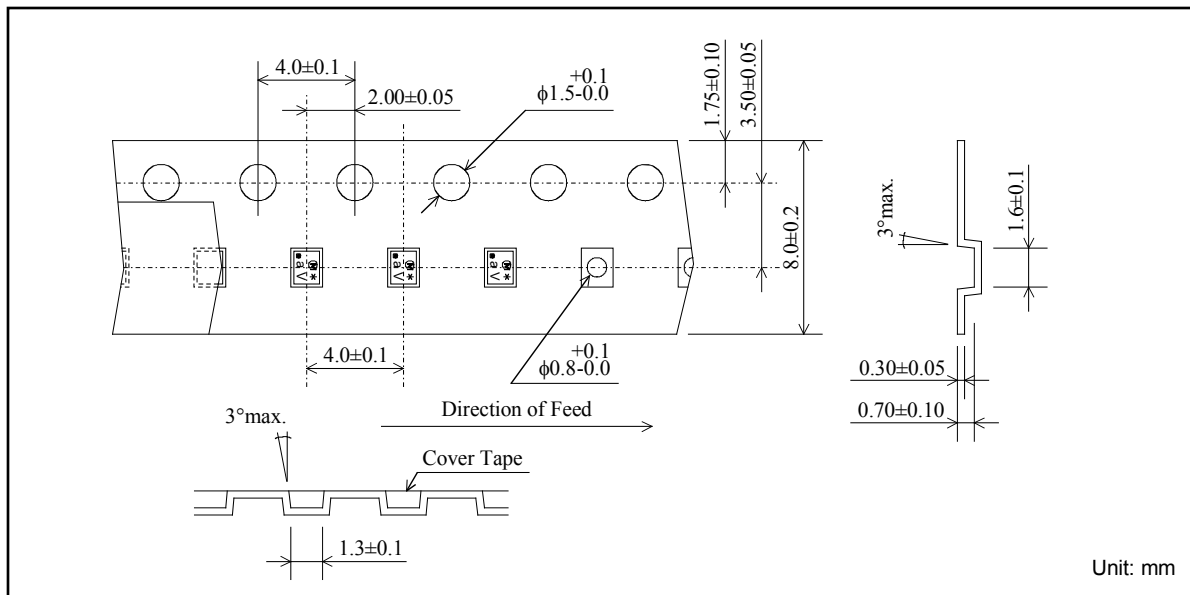
Frequency Performance



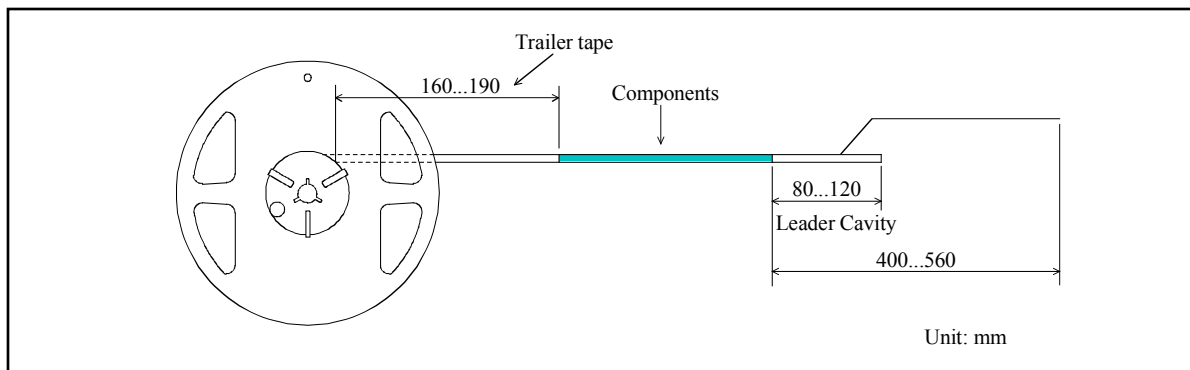
SAW FILTER FOR AWS/UMTS Band4 Rx

Murata part number : SAFEA2G13AA0F00

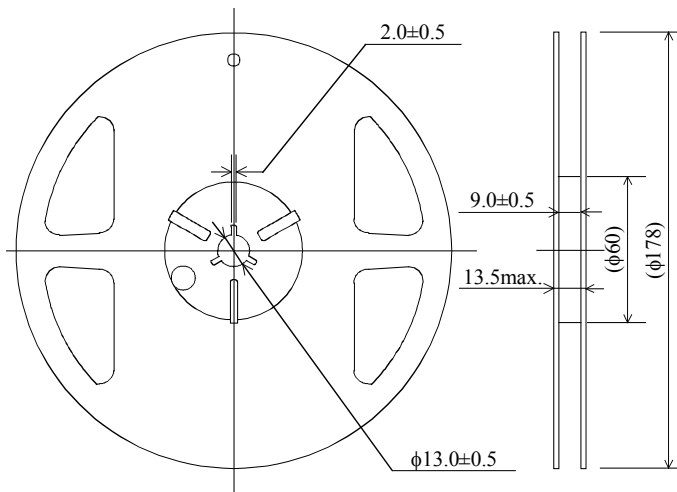
■ Dimensions of Carrier Tape



■ Dimensions of Tape



■ Dimensions of Reel



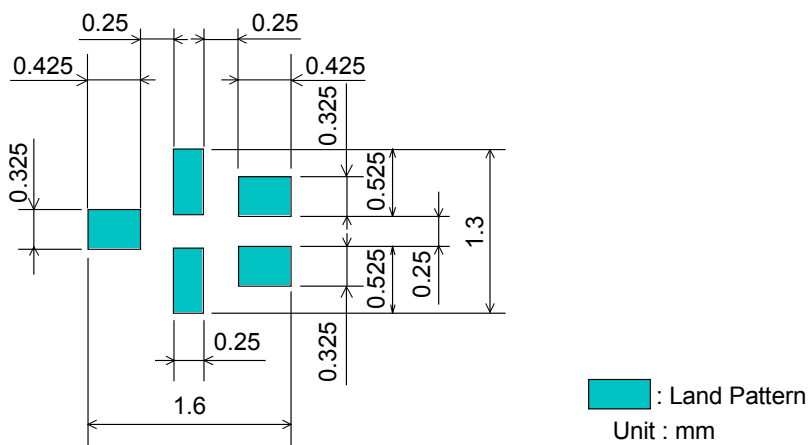
Unit: mm

SAFEA2G13AA0F00R14 ... 4000pcs/reel
SAFEA2G13AA0F00R12 ... 2000pcs/reel

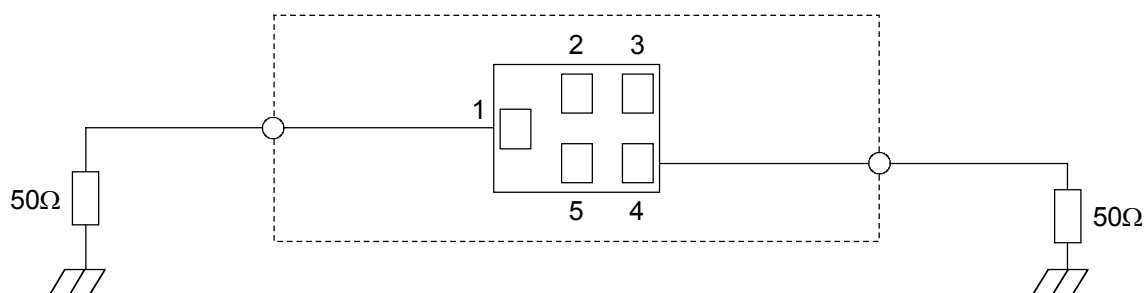
SAW FILTER FOR AWS/UMTS Band4 Rx

Murata part number : SAFEA2G13AA0F00

Recommended Land Pattern



Test Circuit



- This PDF Datasheet is downloaded from the website of Murata Manufacturing Co., Ltd. Therefore, it's specifications are subject to change or our products in it may be discontinued without advance notice. Please check with our sales representatives or product engineers before ordering.
- This PDF Datasheet has only typical specifications because there is no space for detailed specifications. Therefore, please approve our product specifications or transact the approval sheet for product specifications before ordering.