



PRELIMINARY

SOLID STATE DEVICES, INC.

14005 Stage Road * Santa Fe Springs, Ca 90670
Phone: (562) 404-4474 * Fax: (562) 404-1773

SPMR467-02

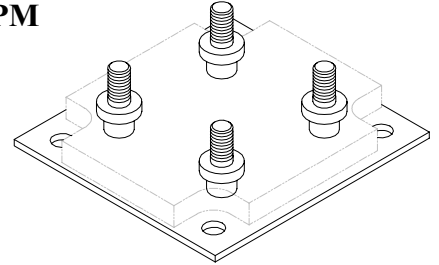
DESIGNER'S DATA SHEET

300 AMPS DISCHARGE
60 AMPS CHARGE CURRENT
BATTERY BYPASS
POWER MODULE

FEATURES:

- Low Forward Discharge Voltage (V_{FD})
- Guaranteed Minimum Charge Voltage (V_{FC})
- Low Mechanical Stress Assembly Design
- Low Assembly Thermal Resistance
- S - Level Prescreened Devices
- High Strength Terminal Stud Attachment
- Other Terminal Styles Available

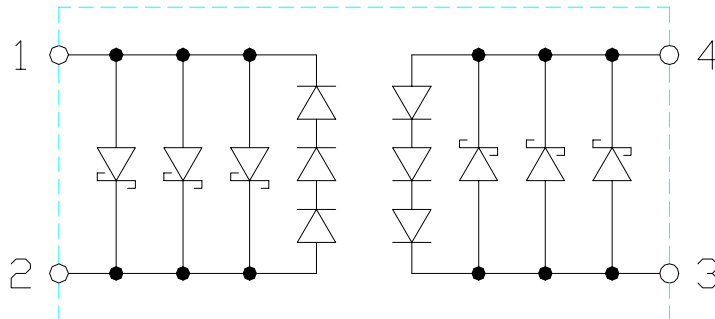
ASPM



MAXIMUM RATINGS

CHARACTERISTIC	SYMBOL	VALUE	UNIT
Discharge Current (Schottky's)	I_D	300	Amps
Charge Current (Rectifiers)	I_C	60	Amps
Discharge Surge Current (Non-repetitive, $t = 8.3$ ms Pulse)	I_{DP}	2000	Amps
Operating Temperature Range	T_{OP}	-65 TO +125	$^{\circ}C$
Storage Temperature Range	T_{STG}	-65 TO +175	$^{\circ}C$
Thermal Resistance, Junction to Base (Discharging Leg)	θ_{JBd}	0.25	$^{\circ}C/W$
Thermal Resistance, Junction to Base (Charging Leg)	θ_{JBc}	0.45	$^{\circ}C/W$
Thermal Resistance, Junction to Case (Schottky Discrete)	θ_{JCs}	0.20	$^{\circ}C/W$
Thermal Resistance, Junction to Case (Rectifier Discrete)	θ_{JCr}	0.60	$^{\circ}C/W$

ELECTRICAL SCHEMATIC



NOTE: All specifications are subject to change without notification.
SCD's for these devices should be reviewed by SSDI prior to release.

DATA SHEET #: PM0009B

SPMR467-01

PRELIMINARY



SOLID STATE DEVICES, INC.
 14005 Stage Road * Santa Fe Springs, Ca 90670
 Phone: (562) 404-4474 * Fax: (562) 404-1773

ELECTRICAL CHARACTERISTICS @ $T_J = 25^\circ\text{C}$ (Unless Otherwise Specified)

RATING	SYMBOL	MIN	MAX	UNIT
Discharge Voltage Drop ($I_D = 450\text{A}$) ($T_{AMB} = 25^\circ\text{C}$) ($T_{AMB} = 100^\circ\text{C}$)	V_{FD1}	-	0.80	Volts
	V_{FD2}	-	0.70	
Charge Voltage Drop ($I_C = 75\text{mA}$, $T_{AMB} = 25^\circ\text{C}$) ($I_C = 60\text{A}$, $T_{AMB} = 25^\circ\text{C}$) ($I_C = 60\text{A}$, $T_{AMB} = 100^\circ\text{C}$)	V_{FC1}	1.6	-	Volts
	V_{FC2}	-	3.50	
	V_{FC3}	-	3.40	
Insulation Resistance (All terminals to Base @1000V)	R_{INSUL1}	1	-	$\text{G}\Omega$
Insulation Resistance (Between Cells @1000V)	R_{INSUL2}	1	-	$\text{G}\Omega$
Discharge V_F Matching	ΔV_{FD1}	-	10	mVolts

PACKAGE OUTLINE: ASPM

