

**MICRO SWITCH**  
 FREEPORT ILLINOIS U S A  
 A DIVISION OF HONEYWELL  
 FED. MFG. CODE 91929

**SWITCH-TOGGLE**

CATALOG LISTING  
**102TL2218 SERIES**  
**CHART 1**

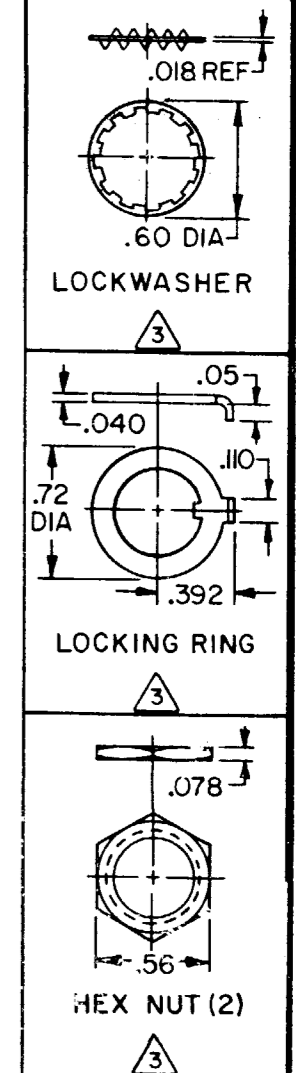
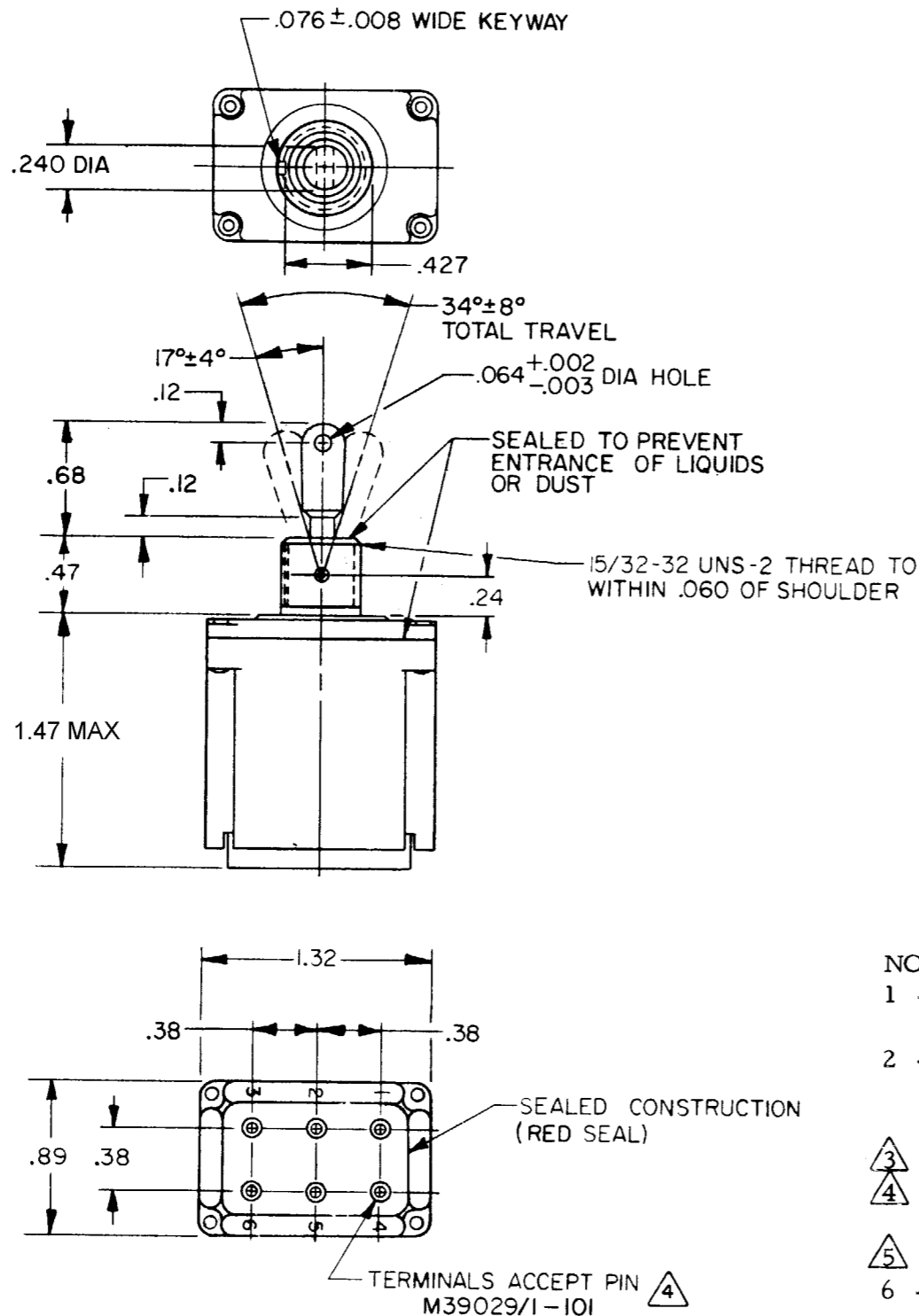
CATALOG LISTING

CIRCUIT MADE WITH TOGGLE LEVER IN	KEYWAY SIDE	CENTER	OPPOSITE KEYWAY
	(1-2,4-5)	(1-2,4-5)	(2-3,5-6)
102TL2218-1	ON	OFF	ON
①	OFF	NONE	ON
102TL2218-3	ON	NONE	ON
102TL2218-2I	NONE	OFF	ON
102TL2218-3I	NONE	ON	ON
102TL2218-4	MOM OFF	NONE	ON
102TL2218-5	MOM ON	OFF	ON
102TL2218-6	MOM ON	NONE	OFF
102TL2218-7	MOM ON	OFF	MOM ON
102TL2218-8	MOM ON	NONE	ON
102TL2218-5I	NONE	ON	MOM ON
102TL2218-6I	MOM ON	OFF	NONE

MILITARY RATING (AMPS)

RESISTIVE LOAD					LAMP LOAD		INDUCTIVE LOAD	
DC VOLTS	DC VOLTS	DC VOLTS	AC VOLTS	AC VOLTS	28 VDC	125 VAC	28 VDC	125 VAC
28	125	250	125	250	7.5	.75	.5	7.5
					6	7	4	7.5
					7.5	.75	.5	7.5
					6	5	2	7.5

THIS DRAWING COVERS A PROPRIETARY ITEM AND IS THE PROPERTY OF MICRO SWITCH, A DIVISION OF HONEYWELL. THIS DRAWING IS NOT TO BE COPIED OR USED WITHOUT THE APPROVAL OF MICRO SWITCH.



NOTES

- SWITCHES ARE CAPABLE OF WITHSTANDING A TEMPERATURE OF 160°F CONTINUOUSLY AT FULL RATED LOAD
- CIRCUIT DESIGNATION, MICRO SWITCH CATALOG LISTING AND DATE CODE IDENTIFIED ON SIDE OF SWITCH
- FURNISHED UNASSEMBLED
- THE SEALING GROMMET SHALL SEAL ON A SMOOTH WIRE INSULATION OF .040 TO .083 DIAMETER (16 TO 20 GAGE)
- APPLIES TO "ON" AND "MOMENTARY ON" POSITIONS
- UNUSED TERMINAL HOLES MAY BE SEALED WITH PLUGS M83723/28-20

CATALOG LISTING  
**102TL2218 SERIES CHART 1**  
 PAGE 1 OF 1  
 ISSUE 5  
 RELEASE NO. PR-14461

REVISIONS

A	C092297	JAK	16 FEB 98
B	CO-93999	JJA	7 JULY 99
C	201413	CS	3 OCT 00
D	203737	CS	12 SEP 01

SCALE FULL  
 DO NOT SCALE PRINT  
 UNLESS OTHERWISE NOTED  
 DIMENSIONS ARE IN INCHES  
**TOLERANCES ARE:**  
 ONE PLACE (.0) ±.030  
 TWO PLACE (.00) ±.015  
 THREE PLACE (.000) ±.005  
 ANGLES ±.005  
 WEIGHT .135 LB MAX

RASTER  
 DRAWN  
 GLH 17 JAN 86  
 CHECK CEC  
 17 JAN 86  
 CHECK KJC