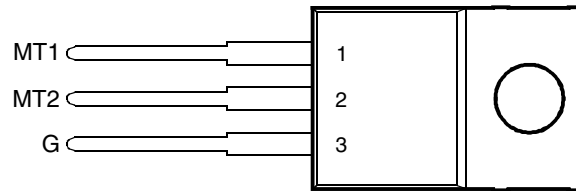


**BOURNS®**

- Sensitive Gate Triacs
- 6 A RMS
- Glass Passivated Wafer
- 400 V to 800 V Off-State Voltage
- Max  $I_{GT}$  of 5 mA (Quadrants 1 - 3)

TO-220 PACKAGE  
(TOP VIEW)

Pin 2 is in electrical contact with the mounting base.

MDC2ACA

**absolute maximum ratings over operating case temperature (unless otherwise noted)**

RATING		SYMBOL	VALUE	UNIT
Repetitive peak off-state voltage (see Note 1)	TIC216D	$V_{DRM}$	400	V
	TIC216M		600	
	TIC216S		700	
	TIC216N		800	
Full-cycle RMS on-state current at (or below) 70°C case temperature (see Note 2)		$I_{T(RMS)}$	6	A
Peak on-state surge current full-sine-wave at (or below) 25°C case temperature (see Note 3)		$I_{TSM}$	60	A
Peak gate current		$I_{GM}$	±1	A
Peak gate power dissipation at (or below) 85°C case temperature (pulse width ≤ 200 μs)		$P_{GM}$	2.2	W
Average gate power dissipation at (or below) 85°C case temperature (see Note 4)		$P_{G(AV)}$	0.9	W
Operating case temperature range		$T_C$	-40 to +110	°C
Storage temperature range		$T_{stg}$	-40 to +125	°C
Lead temperature 1.6 mm from case for 10 seconds		$T_L$	230	°C

- NOTES: 1. These values apply bidirectionally for any value of resistance between the gate and Main Terminal 1.  
 2. This value applies for 50-Hz full-sine-wave operation with resistive load. Above 70°C derate linearly to 110°C case temperature at the rate of 150 mA/°C.  
 3. This value applies for one 50-Hz full-sine-wave when the device is operating at (or below) the rated value of on-state current. Surge may be repeated after the device has returned to original thermal equilibrium. During the surge, gate control may be lost.  
 4. This value applies for a maximum averaging time of 20 ms.

**electrical characteristics at 25°C case temperature (unless otherwise noted)**

PARAMETER	TEST CONDITIONS			MIN	TYP	MAX	UNIT
$I_{DRM}$ Repetitive peak off-state current	$V_D = \text{rated } V_{DRM}$	$I_G = 0$	$T_C = 110^\circ\text{C}$			±2	mA
$I_{GT}$ Gate trigger current	$V_{supply} = +12 \text{ V} \dagger$	$R_L = 10 \Omega$	$t_{p(g)} > 20 \mu\text{s}$			5	mA
	$V_{supply} = +12 \text{ V} \dagger$	$R_L = 10 \Omega$	$t_{p(g)} > 20 \mu\text{s}$			-5	
	$V_{supply} = -12 \text{ V} \dagger$	$R_L = 10 \Omega$	$t_{p(g)} > 20 \mu\text{s}$			-5	
	$V_{supply} = -12 \text{ V} \dagger$	$R_L = 10 \Omega$	$t_{p(g)} > 20 \mu\text{s}$			10	

† All voltages are with respect to Main Terminal 1.

**PRODUCT INFORMATION**DECEMBER 1971 - REVISED SEPTEMBER 2002  
Specifications are subject to change without notice.

**electrical characteristics at 25°C case temperature (unless otherwise noted) (continued)**

PARAMETER		TEST CONDITIONS			MIN	TYP	MAX	UNIT
V <sub>GT</sub>	Gate trigger voltage	V <sub>supply</sub> = +12 V†	R <sub>L</sub> = 10 Ω	t <sub>p(g)</sub> > 20 μs			2.2	V
		V <sub>supply</sub> = +12 V†	R <sub>L</sub> = 10 Ω	t <sub>p(g)</sub> > 20 μs			-2.2	
		V <sub>supply</sub> = -12 V†	R <sub>L</sub> = 10 Ω	t <sub>p(g)</sub> > 20 μs			-2.2	
		V <sub>supply</sub> = -12 V†	R <sub>L</sub> = 10 Ω	t <sub>p(g)</sub> > 20 μs			3	
V <sub>T</sub>	On-state voltage	I <sub>T</sub> = ±8.4 A	I <sub>G</sub> = 50 mA	(see Note 5)			±1.7	V
I <sub>H</sub>	Holding current	V <sub>supply</sub> = +12 V†	I <sub>G</sub> = 0	Init' I <sub>TM</sub> = 100 mA			30	mA
		V <sub>supply</sub> = -12 V†	I <sub>G</sub> = 0	Init' I <sub>TM</sub> = -100 mA			-30	
I <sub>L</sub>	Latching current	V <sub>supply</sub> = +12 V†	(see Note 6)			4		mA
		V <sub>supply</sub> = -12 V†				-2		
dv/dt	Critical rate of rise of off-state voltage	V <sub>DRM</sub> = Rated V <sub>DRM</sub>	I <sub>G</sub> = 0	T <sub>C</sub> = 110°C		±20		V/μs
dv/dt <sub>(c)</sub>	Critical rise of commutation voltage	V <sub>DRM</sub> = Rated V <sub>DRM</sub>	I <sub>TRM</sub> = ±8.4 A	T <sub>C</sub> = 70°C	±2	±5		V/μs

† All voltages are with respect to Main Terminal 1.

NOTES: 5. This parameter must be measured using pulse techniques, t<sub>p</sub> = ≤ 1 ms, duty cycle ≤ 2 %. Voltage-sensing contacts separate from the current carrying contacts are located within 3.2 mm from the device body.

6. The triacs are triggered by a 15-V (open-circuit amplitude) pulse supplied by a generator with the following characteristics:  
R<sub>G</sub> = 100 Ω, t<sub>p(g)</sub> = 20 μs, t<sub>r</sub> = ≤ 15 ns, f = 1 kHz.

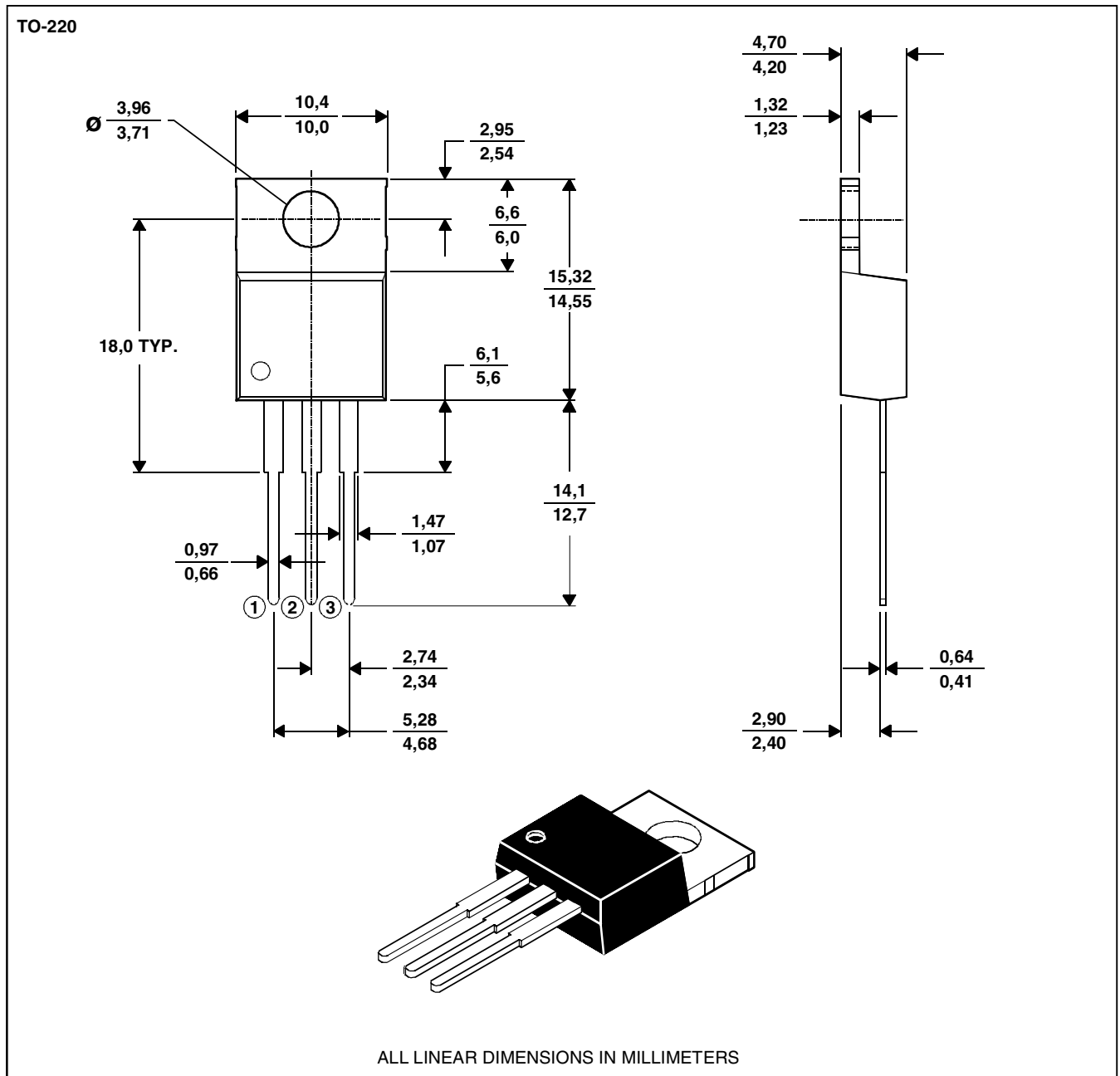
**thermal characteristics**

PARAMETER		MIN	TYP	MAX	UNIT
R <sub>θJC</sub>	Junction to case thermal resistance			2.5	°C/W
R <sub>θJA</sub>	Junction to free air thermal resistance			62.5	°C/W

**PRODUCT INFORMATION**

**BOURNS®****MECHANICAL DATA****TO-220****3-pin plastic flange-mount package**

This single-in-line package consists of a circuit mounted on a lead frame and encapsulated within a plastic compound. The compound will withstand soldering temperature with no deformation, and circuit performance characteristics will remain stable when operated in high humidity conditions. Leads require no additional cleaning or processing when used in soldered assembly.



NOTE A: The centre pin is in electrical contact with the mounting tab.

**PRODUCT INFORMATION**

DECEMBER 1971 - REVISED SEPTEMBER 2002  
Specifications are subject to change without notice.