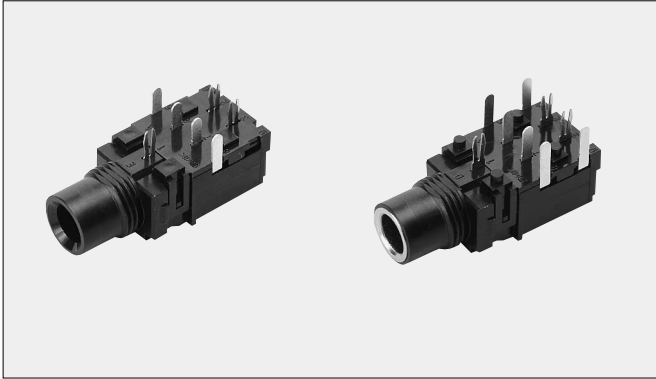


# Phone Jack, Low Operation Force Type / 低挿抜タイプ

## 特長・Features



1. 低挿抜力（当社従来品より約30%減）のため、軽量セットのプラグ抜き差しが容易に行えます。
2. 当社従来品（S-G4000シリーズ）と基板穴が共通のため置き換え可能です。

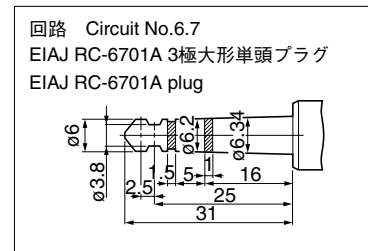
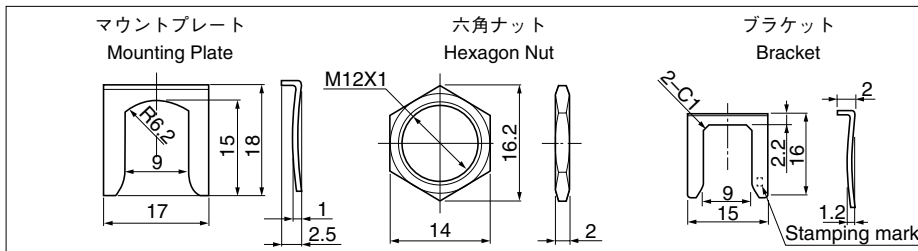
1. Light operation force (about 30% lower than our current products) permits bother-free plugging to and unplugging from a light weight stereo set.
2. Substitution with our current jacks (S-G4000 series) requires no tooling change due to common mounting hole dimensions.

## 製品バリエーション・Products Variation

回路No. Circuit No.	回路図 Circuit	H=6.5		H=8.0	
		口金無し Without Metal	口金有り With Metal	口金無し Without Metal	口金有り With Metal
6		LGR6506-07□□	LGR6516-16□□	LGR8006-01□□	LGR8016-01□□
7		LGR6507-07□□	LGR6517-16□□	LGR8007-01□□	LGR8017-01□□


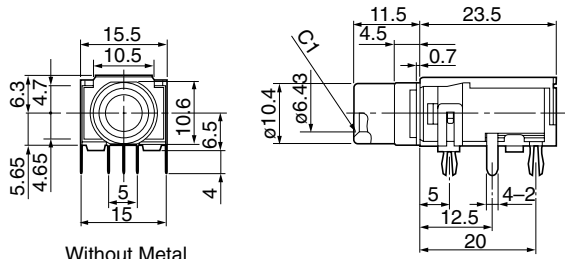
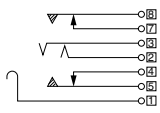
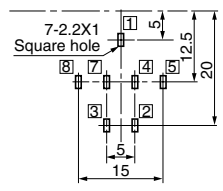

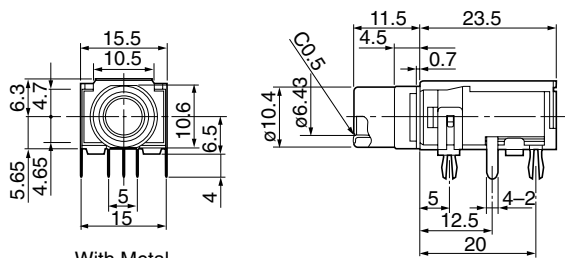

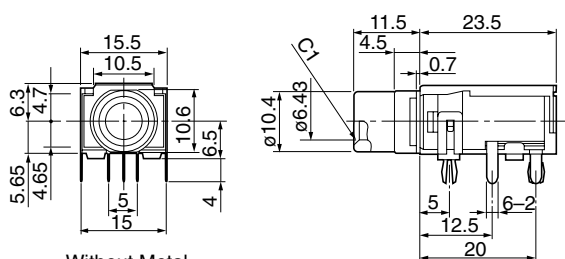
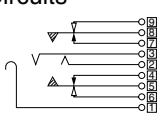
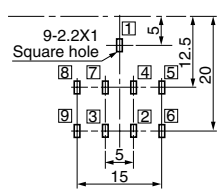

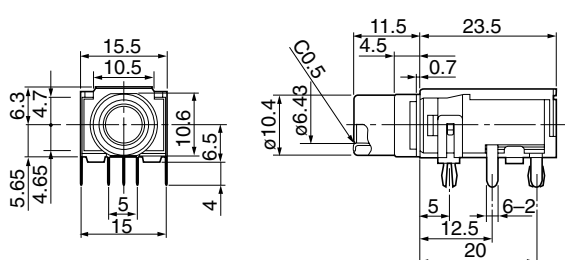
## 付属品・Accessories

## 適合プラグ・Applicable Plug



PHONE JACKS

# Phone Jack, Low Operation Force Type

<p>LGR6506-07 <input type="checkbox"/> <input type="checkbox"/></p> 	 <p>Without Metal</p>	<p>回路 Circuits</p>  <p>基板取付参考図 (Recommended P.W.Board Dimension) パターン側 (The Pattern Side)</p> 								
<p>LGR6516-16 <input type="checkbox"/> <input type="checkbox"/></p> 	 <p>With Metal</p>	<p>品番 Variation No.   付属品 Accessories</p> <table border="1"> <tbody> <tr> <td>00</td> <td>None</td> </tr> <tr> <td>01</td> <td>Mounting Plate</td> </tr> <tr> <td>02</td> <td>Hexagon Nut</td> </tr> <tr> <td>03</td> <td>Bracket</td> </tr> </tbody> </table>	00	None	01	Mounting Plate	02	Hexagon Nut	03	Bracket
00	None									
01	Mounting Plate									
02	Hexagon Nut									
03	Bracket									
<p>LGR6507-07 <input type="checkbox"/> <input type="checkbox"/></p> 	 <p>Without Metal</p>	<p>回路 Circuits</p>  <p>基板取付参考図 (Recommended P.W.Board Dimension) パターン側 (The Pattern Side)</p> 								
<p>LGR6517-16 <input type="checkbox"/> <input type="checkbox"/></p> 	 <p>With Metal</p>	<p>品番 Variation No.   付属品 Accessories</p> <table border="1"> <tbody> <tr> <td>00</td> <td>None</td> </tr> <tr> <td>01</td> <td>Mounting Plate</td> </tr> <tr> <td>02</td> <td>Hexagon Nut</td> </tr> <tr> <td>03</td> <td>Bracket</td> </tr> </tbody> </table>	00	None	01	Mounting Plate	02	Hexagon Nut	03	Bracket
00	None									
01	Mounting Plate									
02	Hexagon Nut									
03	Bracket									