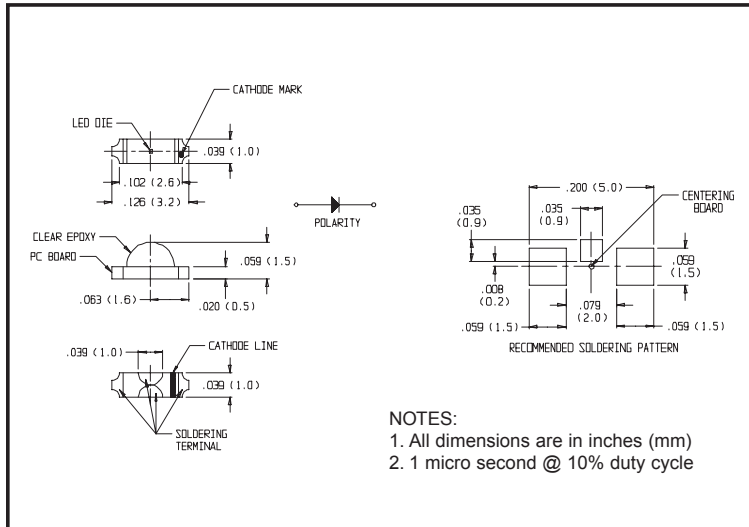


CMDA7 Series HIGH BRIGHTNESS Right Angle Surface Mount LED Description and Features



Features

- High brightness
- Small size
- Industry standard Footprint
- Non-diffused optics
- Right angle emitting
- Compatible with IR solder profiles
- Ideal for use with Light Pipes
- Available in 8 mm tape on 7" diameter reel
- Packaged 3,000 pieces per reel

Applications

- LCD backlighting
- Push button backlighting
- Front panel indicator
- Symbol indicator
- Microdisplays
- Small message panel signage

CAUTION: CMDA6AG and CMDA6CB are Class 1 ESD sensitive per MIL-STD-1686. Please observe appropriate precautions during handling and processing.

Electro-Optical Characteristics and Ratings

Part Number	Output Color	Diffusion	Package Color	Test Current (mA)	Forward Voltage Typ. (V)	Forward Voltage Max. Typ. (V)	Luminous Intensity Min. (mcd)	Luminous Intensity Typ. (mcd)	Peak Wavelength (nm)	Viewing Angle (Degrees)
CMDA7CB7A1S	Blue	Non-Diffused	Clear	20	3.4	3.9	16	60	469	130
CMDA7AG7A1S	Green	Non-Diffused	Clear	20	3.4	3.9	40	150	520	130
CMDA7DY7A1S	Amber	Non-Diffused	Clear	20	1.9	2.4	25	95	595	130
CMDA7BA7A1S	Orange	Non-Diffused	Clear	20	1.9	2.4	25	95	609	130
CMDA7AR7A1S	Red	Non-Diffused	Clear	20	1.9	2.4	25	95	637	130

Absolute Maximum Ratings to = 25°C

Part Number	Power Dissipation (mW)	Operating Temperature (°C)	Storage Temperature (°C)	Peak Forward Current Max. (See note 2) (mA)	Reverse Voltage (IR = 100 mA) (V)	Lead Solder Time at 230°C (Seconds)
CB	98	-30 to +85	-40 to +85	100	5	10
AG	98	-30 to +85	-40 to +85	100	5	10
DY	75	-30 to +85	-40 to +85	100	5	10
BA	75	-30 to +85	-40 to +85	100	5	10
AR	75	-30 to +85	-40 to +85	100	5	10

The model numbers listed above are standard off the shelf parts. For the user who may have a requirement calling for various color/electrical specifications, a part number can be determined by calling the factory.