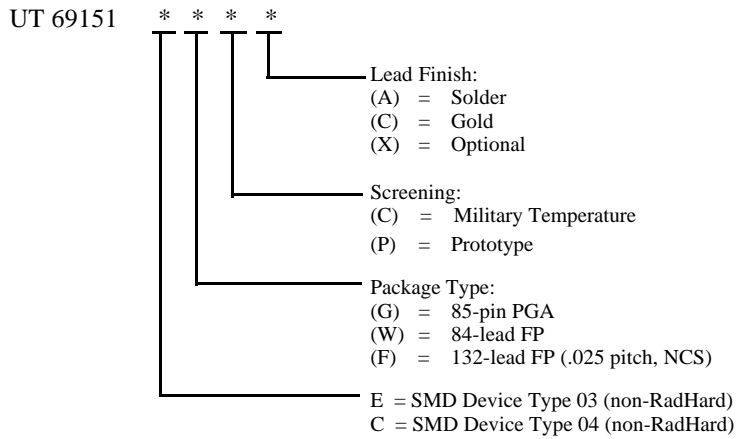


## 26.0 ORDERING INFORMATION

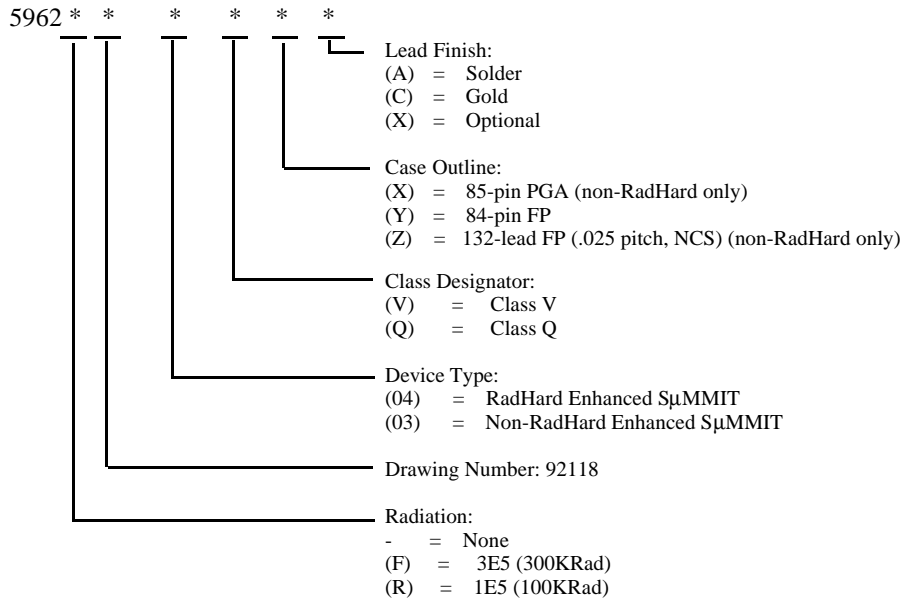
### ENHANCED SμMMIT E MIL-STD-1553 Dual Redundant Bus Controller/Remote Terminal Monitor



**Notes:**

1. Lead finish (A,C, or X) must be specified.
2. If an "X" is specified when ordering then the part marking will match the lead finish and will be either "A" (solder) or "C" (gold).
3. Military Temperature Range devices are burned-in and tested at -55°C, room temperature, and -125°C. Radiation neither tested nor guaranteed.
4. Lead finish is at UTMC's option. "X" must be specified when ordering. Radiation neither tested or guaranteed.

### ENHANCED SμMMIT E MIL-STD-1553 Dual Redundant Bus Controller/Remote Terminal Monitor: SMD

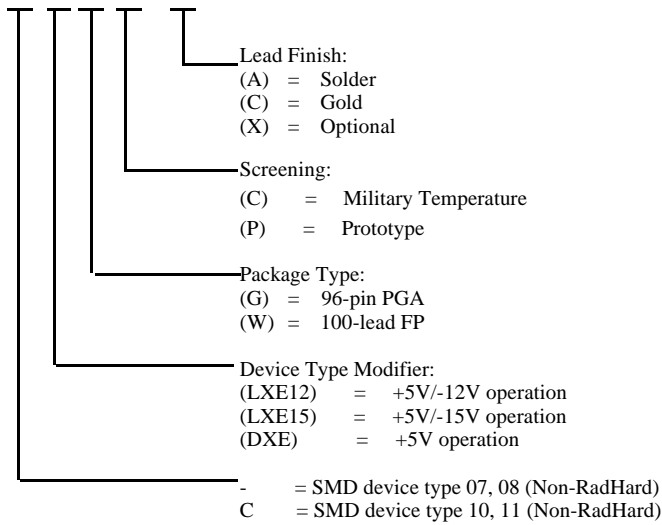


**Notes:**

1. Lead finish (A,C, or X) must be specified.
2. If an "X" is specified when ordering, part marking will match the lead finish and will be either "A" (solder) or "C" (gold).
3. Device Type 03 not available as rad hard.

**ENHANCED SuMMIT LXE/DXE MIL-STD-1553 Dual Redundant Bus Controller/Remote Terminal/Monitor/Transceiver Multichip Module**

UT 69151 \* \* \* \* \*

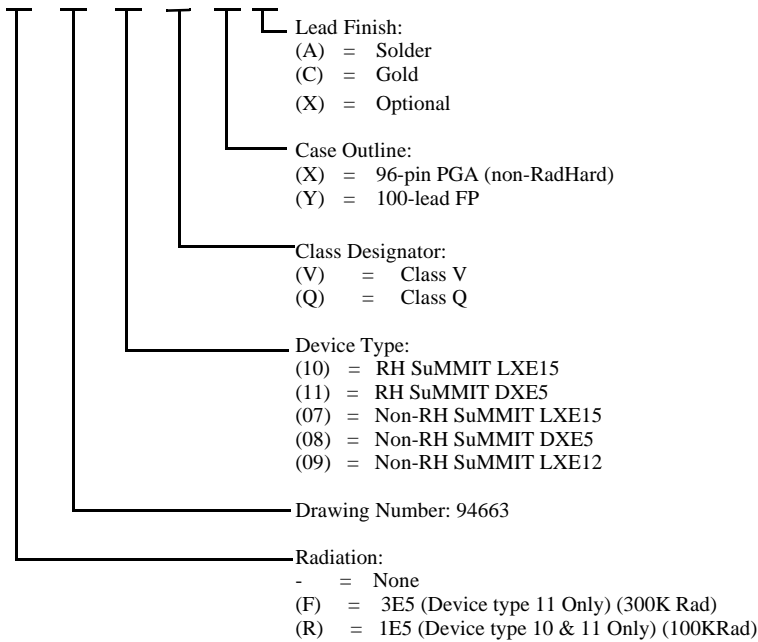


**Notes:**

1. Lead finish (A,C, or X) must be specified.
2. If an "X" is specified when ordering then the part marking will match the lead finish and will be either "A" (solder) or "C" (gold).
3. Military Temperature Range devices are burned-in and tested at -55°C, room temperature, and -125°C. Radiation neither tested nor guaranteed.
4. Prototype lead finish is gold only. Lead finish is at UTMC's option. "X" must be specified when ordering. Radiation neither tested or guaranteed.

**ENHANCED SuMMIT LXE/DXE: MIL-STD-1553 Dual Redundant Bus Controller/Remote Terminal/Monitor/Transceiver Multichip Module: SMD**

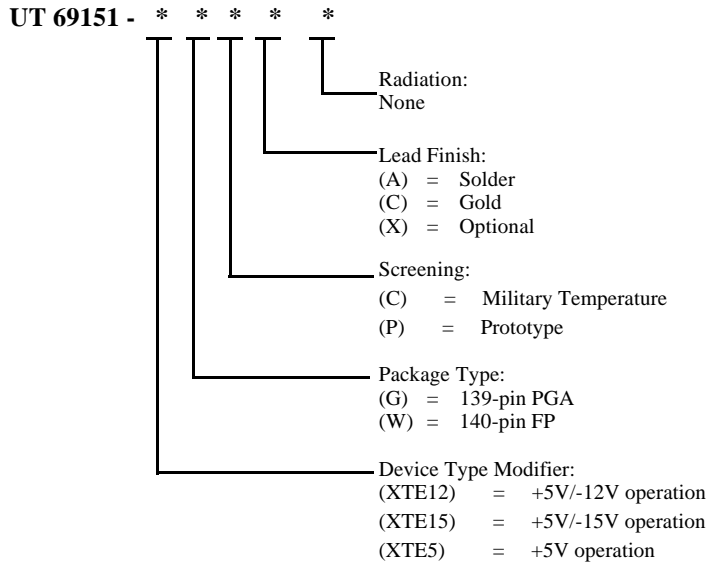
5962 \* \* \* \* \*



**Notes:**

1. Lead finish (A,C, or X) must be specified.
2. If an "X" is specified, part marking will match the lead finish and will be either "A" (solder) or "C" (gold).

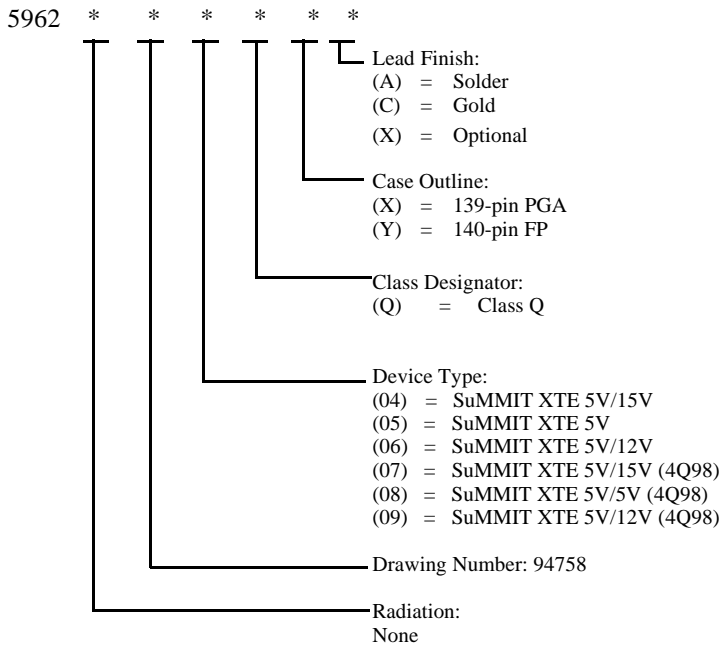
**ENHANCED S $\mu$ MMIT XTE MIL-STD-1553 Dual Redundant Bus Controller/Remote Terminal/Monitor/Transceiver Multichip Module**



**Notes:**

1. Lead finish (A,C, or X) must be specified.
2. If an "X" is specified when ordering then the part marking will match the lead finish and will be either "A" (solder) or "C" (gold).
3. Military Temperature Range devices are burned-in and tested at -55°C, room temperature, and -125°C. Radiation neither tested nor guaranteed.
4. Prototype assembly are tested at +25C only. Lead finish is GOLD only. Radiation neither tested or guaranteed.

**ENHANCED S $\mu$ MMIT XTE: MIL-STD-1553 Dual Redundant Bus Controller/Remote Terminal/Monitor/Transceiver Multichip Module: SMD**



**Notes:**

1. Lead finish (A,C, or X) must be specified.
2. If an "X" is specified, part marking will match the lead finish and will be either "A" (solder) or "C" (gold).
3. Device types 04, 05, 06 available until 4Q98.
4. Device types 07, 08, 09 available after 4Q98.