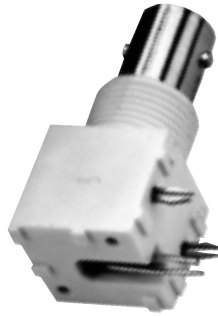
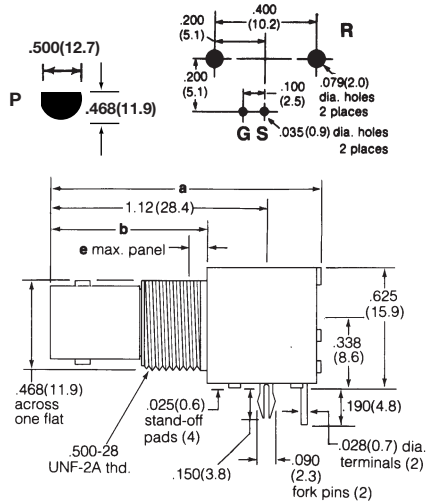


Fig. 1

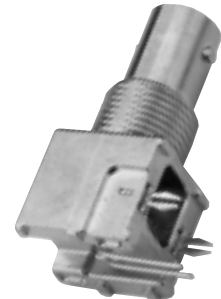
Standard Height BNC Printed Circuit Board Right Angle Bulkhead Receptacles ☆



Isolated from Panel
White Valox Housing
31-71047 (Round Pins)
31-71047-1010 (Fork Pins)



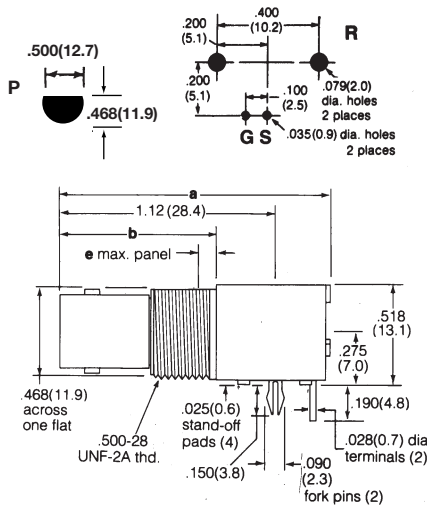
Isolated from Panel
Black Valox Housing
31-71046 (Round Pins)
31-71046-1010 (Fork Pins)



Metal Housing
31-71043 (Round Pins)
31-71043-1010▲
(Fork Pins)

Fig. 2

Low Profile BNC Printed Circuit Board Bulkhead Receptacles ☆



Isolated from Panel
White Valox Housing
31-71052 (Round Pins)
31-71052-1010 (Fork Pins)
31-71052-10RFX



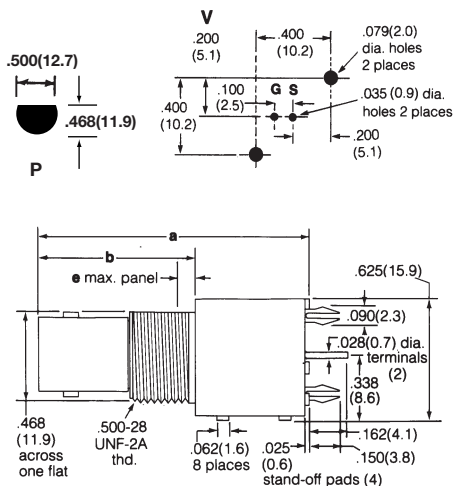
Isolated from Panel
Black Valox Housing
31-71053 (Round Pins)
31-71053-1010 (Fork Pins)



Metal Housing
31-71042 (Round Pins)

Fig. 3

Vertical BNC Printed Circuit Board Bulkhead Receptacles ☆



Isolated from Panel
White Valox Housing
31-71058 (Round Pins)
31-71058-1010 (Fork Pins)

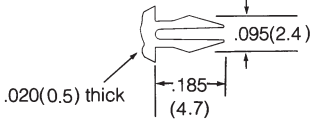


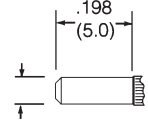
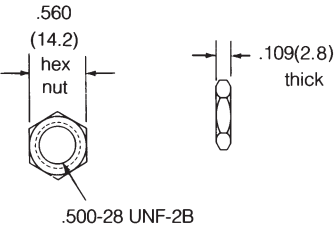
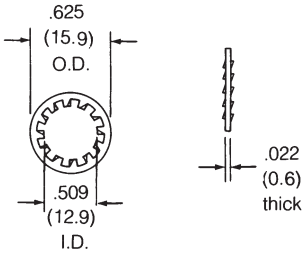


Isolated from Panel
Black Valox Housing
31-71059 (Round Pins)
31-71059-1010 (Fork Pins)



Metal Housing
31-71045 (Round Pins)
31-71045-1010
(Fork Pins)

☆ Jam nuts and lockwashers sold separately. ▲ distributor stocked

| | | |
|--|---|---|
|  <p>Fork Pin holds connectors rigidly to P.C. Board for high temperature and mass production assembly</p> | <p>Fig. 4</p>  | <p>Fig. 5</p>  |
|  <p>Round Pin (Standard)</p> |  <p>Pkg. of 100, Hex Nut for BNC Bulkhead PCB Receptacles 31-5652▲ Nickel Plated</p> |  <p>Pkg. of 100, Lockwasher for BNC PCB Bulkhead Receptacles 31-5653▲ Nickel Plated</p> |

BNC PRINTED CIRCUIT BOARD BULKHEAD RECEPTACLES

| Description | Terminal Type | Dimensions, inches (millimeters) | | | Notes | | Mtg. Hole | Notes | Mtg. Pin Type | Imp | Amphenol Number | Fig. |
|---|---------------------------------|----------------------------------|------------|----------------------|-------|------|-----------|--------------------|---------------|-----|-----------------------|------|
| | | a | b | e | Plt. | Ins. | | | | | | |
| Standard Height Printed Circuit Angle Bulkhead Receptacle (J)☆ | Blunt Posts for Signal & Ground | 1.40(35.6) | .810(20.6) | .250(6.4) | P26 | D17 | R/P | Iso. White Housing | Round | 75Ω | 31-71047 | 1 |
| | | | | | P26 | D17 | | | Fork | 75Ω | 31-71047-1010 | |
| | | | | | P26 | D20 | R/P | Iso. Black Housing | Round | 75Ω | 31-71046 | |
| | | | | | P26 | D20 | | | Fork | 75Ω | 31-71046-1010 | |
| | | | | | P26 | D22 | R/P | Metal Housing | Round | 75Ω | 31-71043 | |
| P26 | D22 | Fork | 75Ω | 31-71043-1010 | | | | | | | | |
| Low Profile Printed Circuit Angle Bulkhead Receptacle (J)☆ | Blunt Posts for Signal & Ground | 1.40(35.6) | .810(20.6) | .250(6.4) | P26 | D17 | R/P | Iso. White Housing | Round | 75Ω | 31-71052 | 2 |
| | | | | | P26 | D17 | | | Fork | 75Ω | 31-71052-1010 | |
| | | | | | P26 | D17 | R/P | Iso. Black Housing | Fork | 75Ω | 31-71052-10RFX | |
| | | | | | P26 | D20 | | | Round | 75Ω | 31-71053 | |
| | | | | | P26 | D20 | R/P | Metal Housing | Fork | 75Ω | 31-71053-1010 | |
| P26 | D22 | Round | 75Ω | 31-71042 | | | | | | | | |
| Vertical Printed Circuit Bulkhead Receptacle (J)☆ | Blunt Posts for Signal & Ground | 1.40(35.6) | .810(20.6) | .250(6.4) | P26 | D17 | V/P | Iso. White Housing | Round | 75Ω | 31-71058 | 3 |
| | | | | | P26 | D17 | | | Fork | 75Ω | 31-71058-1010 | |
| | | | | | P26 | D20 | V/P | Iso. Black Housing | Round | 75Ω | 31-71059 | |
| | | | | | P26 | D20 | | | Fork | 75Ω | 31-71059-1010 | |
| | | | | | P26 | D22 | V/P | Metal Housing | Round | 75Ω | 31-71045 | |
| P26 | D22 | Fork | 75Ω | 31-71045-1010 | | | | | | | | |
| Hex Nut for BNC Bulkhead PCB Receptacles, Package of 100 ea. | | | | | P3 | — | — | Nickel Plated | — | — | 31-5652 | 4 |
| Lockwasher for BNC Bulkhead PCB Receptacles, Package of 100 ea. | | | | | P3 | — | — | Nickel Plated | — | — | 31-5653 | 5 |

☆ Jam nuts and lockwashers sold separately. See Figs. 4 & 5 ▲ distributor stocked