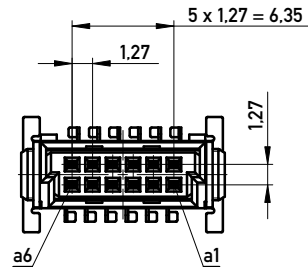
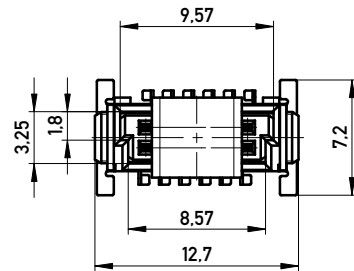
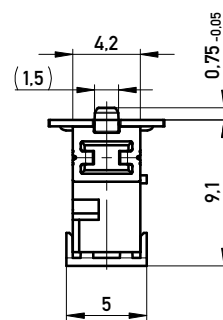
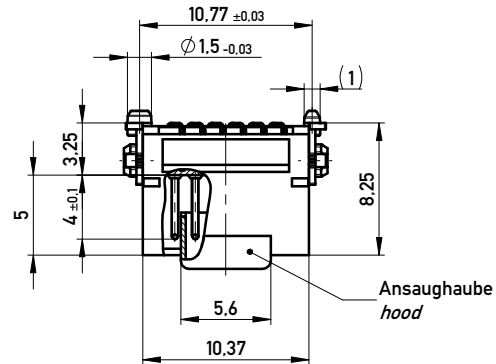
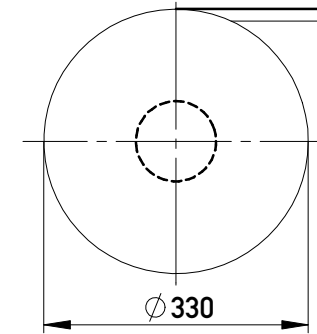


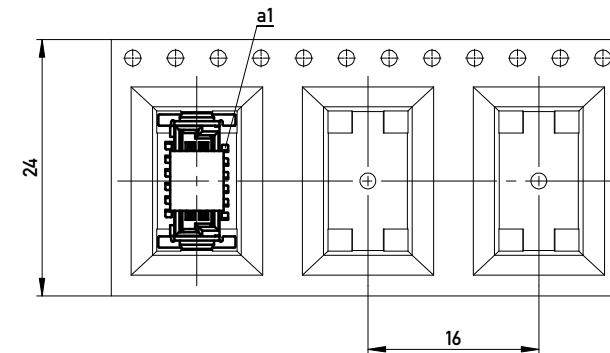
ohne Ansaughaube - *without hood*



Verpackt in Gurtverpackung
Tape on Reel Packaging
 Verpackungseinheit: 280 Stück
Packaging unit: 280 pcs



Abspulrichtung - *Reel off Direction*



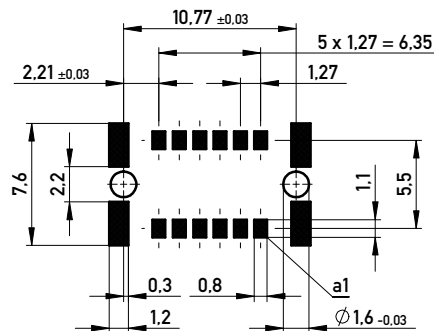
Anforderungsstufe 1
Performance Level 1

Kontaktbereich vergoldet
Mating Area gold plating

Anschlussbereich verzinkt 4-6 µm
Terminal Area 4-6 µm tin plating

Koplanarität der Anschlüsse ≤ 0,1 mm
Coplanarity Area of Termination ≤ 0,1 mm

Leiterplatten-Layout Vorschlag für SMT
PCB-Layout Proposal for SMT



BA 7-03 - Standard Bauhöhe

type 7-03 - Standard Assembly Height

Information:		Tolerances		Scale	3:1
All rights reserved. Only for Information. To ensure that this is the latest version of this drawing, please contact one of the ERNI companies before using.		All Dimensions in mm		Designation	
Subject to modification without prior notice. Drawing will not be updated.				Messerl. SMC-Q-12-SMD-BA7-03 Male SMC-Q 12-SMD-type7-03	
www.ERNI.com		102000100001		K	
e	25.09.2013	Class		SMCQ	
Index	Date			A3	

Copyright by ERNI GmbH
 Proprietary notice pursuant to ISO 16018 to be observed.