

SPECIFICATIONS

Modular Jack

Mechanical

Mating Force: 4Pounds max.(RJ45) 7.88Pounds max.(USB)
Unmating Force: 10Pounds max.(RJ45) 2.25Pounds min.(USB)
Durability: 1000 Cycles(RJ45) 1500 Cycles(USB)

UB Series

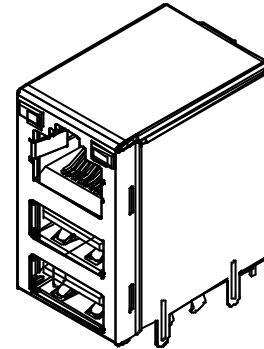
RJ45 Over Dual USB
R/A, T/H Type
1.27mm [.050"] Pitch
10/100 Base-T

Electrical

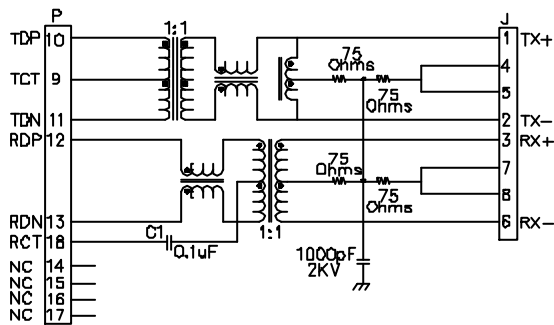
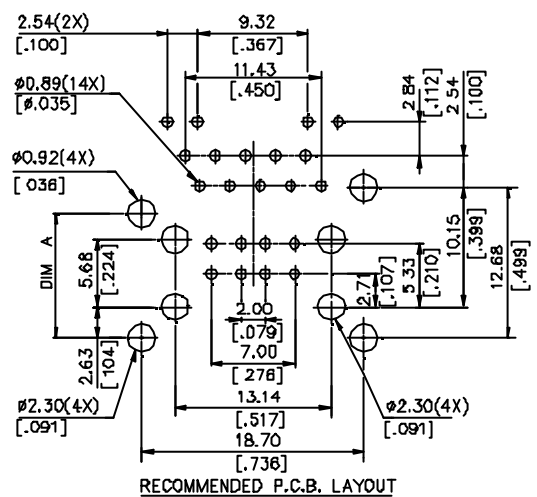
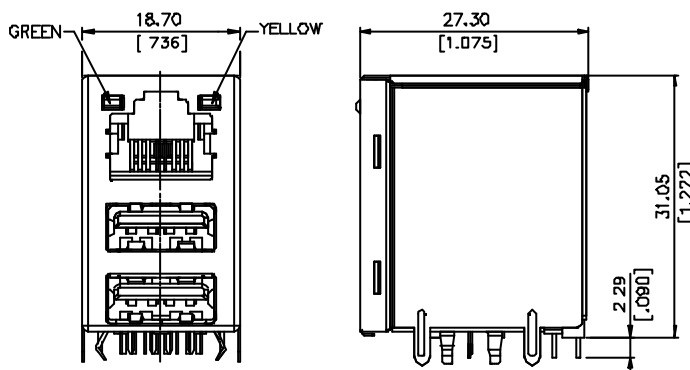
Current Rating: 0.5A max.(RJ45) 1.0A(USB)
Dielectric Withstanding Voltage: 1000V(RJ45) 750V(USB)
Insertion Loss: -1.0dB max @1-100MHz
Return Loss: -12dB min @1-80MHz
Cross Talk: -35dB min @1-65MHz

Physical

Housing: Thermoplastic, UL 94V-0 rated in Black Color
Contact: Copper Alloy
Shell: Copper Alloy
Operating Temperature: 0 to +70



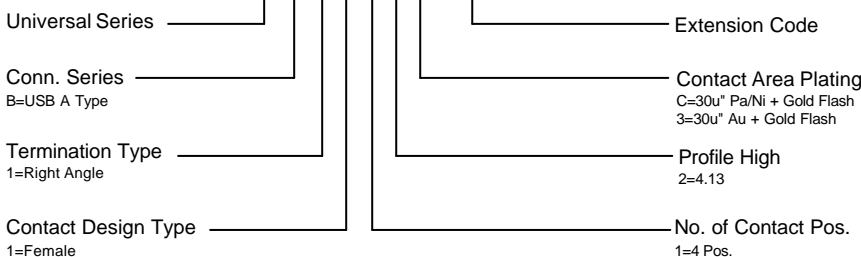
DRAWING



SCHMATIC

ORDERING INFORMATION

PRODUCT NO. : UB1112* - L**



UB11123-LM4	Green/Orange	Yellow	Without (Short)	12.68 [.499]
UB11123-L71	Green	Yellow	With	10.94 [.431]
P/N	LED1	LED2	C1	DIM. A