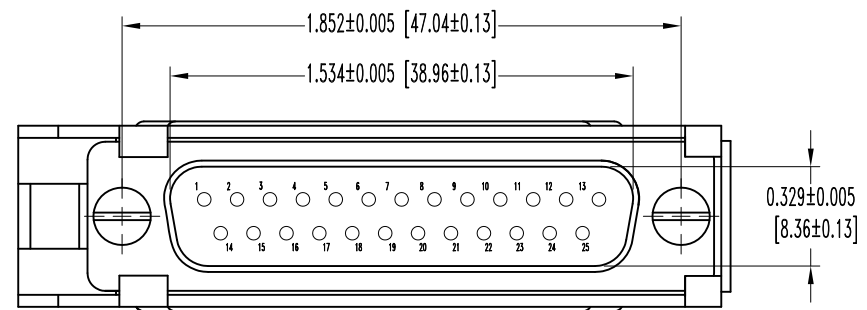
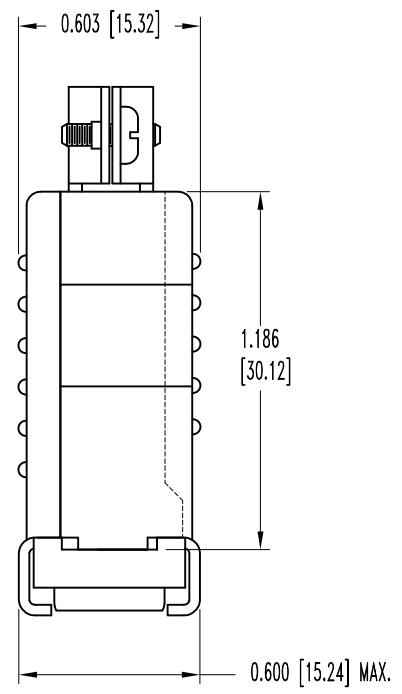
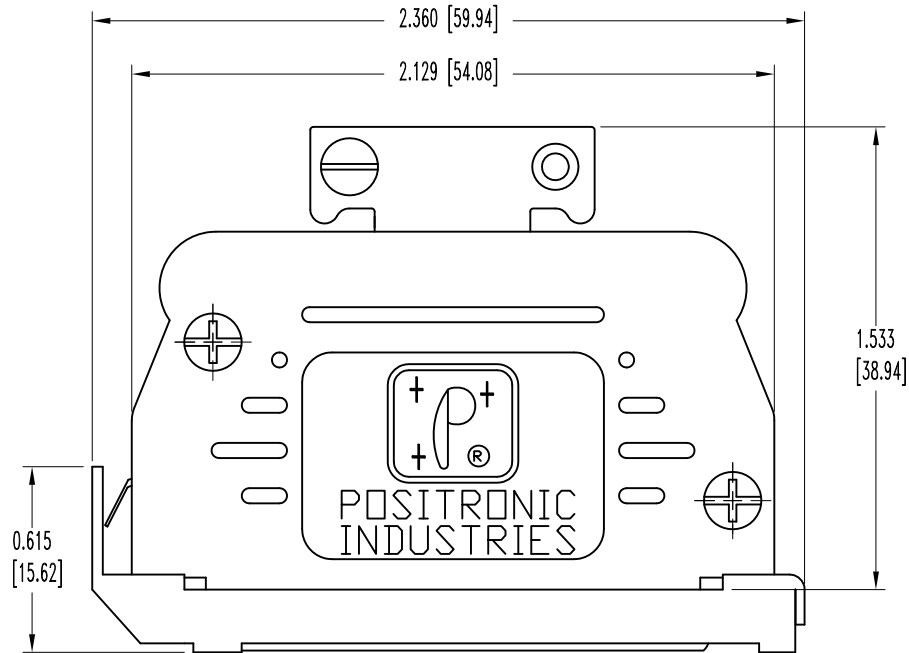


SK11986

THIS DRAWING CONTAINS INFORMATION PROPRIETARY TO POSITRONIC AND ITS SUBSIDIARIES. POSITRONIC BELIEVES THE DATA ON THIS DRAWING TO BE RELIABLE, SINCE THE TECHNICAL INFORMATION IS GIVEN FREE OF CHARGE. THE USER EMPLOYS SUCH INFORMATION AT HIS OWN DISCRETION AND RISK. POSITRONIC ASSUMES NO RESPONSIBILITY FOR RESULTS OBTAINED OR DAMAGES INCURRED FROM USE OF SUCH INFORMATION IN WHOLE OR IN PART.

DATE	REV	REVISION RECORD	APP	DR	CK
12-08-10	NC	ECO 33349	COLE	BS	COLE



NOTES:

1. MATERIALS AND FINISHES:

- INSULATOR: GLASS FILLED DAP PER ASTM-D5948, SDG-F, UL 94V-0, COLOR: GREEN.
- CONTACTS: PRECISION MACHINED COPPER ALLOY, GOLD FLASH OVER NICKEL PLATE.
- SHELLS: STAINLESS STEEL, PASSIVATED.
- HOOD: GLASS FILLED NYLON, UL94V-0, COLOR: BLACK
- LOCK LEVER AND CABLE CLAMPS: STEEL WITH NICKEL PLATE.
- CABLE CLAMP SCREWS: BRASS, ZINC PLATE WITH CHROMATE SEAL.
- HOOD SCREWS: STEEL, ZINC PLATE WITH CHROMATE SEAL.

2. DETAILED PRODUCT, MECHANICAL, AND ELECTRICAL INFORMATION IS AVAILABLE IN THE LATEST STANDARD DENSITY D-SUB PRODUCT PUBLICATION. VISIT [CONNECTPOSITRONIC.COM/PRODUCTS/45/STANDARD DENSITY D-SUBMINIATURE](http://CONNECTPOSITRONIC.COM/PRODUCTS/45/STANDARD DENSITY D-SUBMINIATURE) OR [CONNECTPOSITRONIC.COM](http://CONNECTPOSITRONIC.COM).

3. DIMENSIONS ARE IN INCHES [MILLIMETERS].

 <b>POSITRONIC INDUSTRIES INC.</b> <a href="http://www.connectpositronic.com">www.connectpositronic.com</a>		FSCM 28198		
		DECIMAL TOL. $\pm 0.015$ [0.38]	SCALE N.T.S.	DRAWN BY B SHELEDY
TITLE HDC SERIES		HDC25M20JVLS		
ANGULAR TOL. $\pm 5^\circ$	DATE 12-08-10	DRAWING NUMBER SK11986	REV. NC	