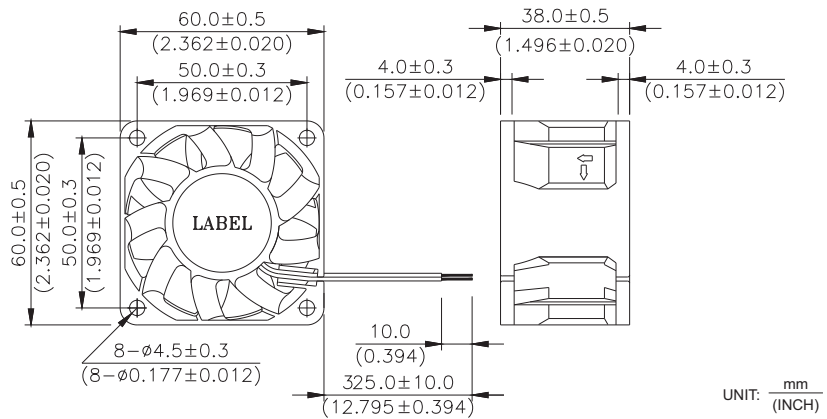
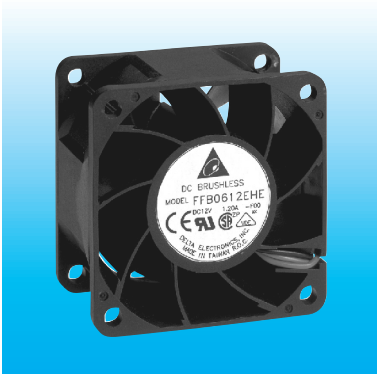


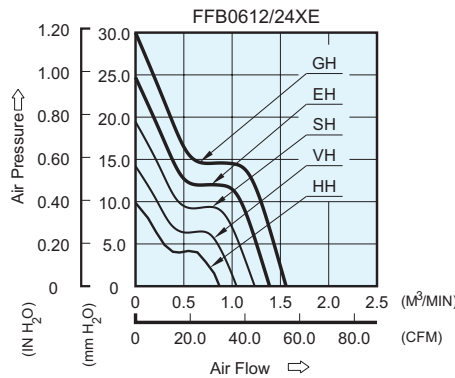
# FFB 60 x 60 x 38 MM SERIES

## DIMENSIONS DRAWING

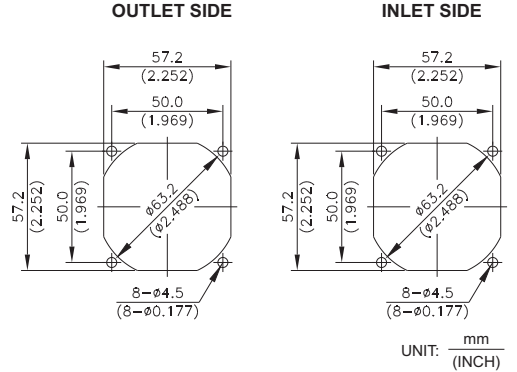


- \* Bearing Type  
Ball Bearings
- \* Material  
Impeller & Frame : Plastic (UL 94V-0)
- \* Lead Wires :  
UL 1007 AWG #24 OR Equivalent  
Red Wire Positive (+)  
Black Wire Negative (-)
- \* Weight : 106g (3.74 oz)

## P & Q CURVE (AT RATED VOLTAGE)



## MOUNTING PANEL CUTOUT



| MODEL      |             | Rated Voltage | Operating Voltage Range | Input Current | Input Power | Speed  | Maximum Air Flow    |       | Maximum Air Pressure |                     | Noise |
|------------|-------------|---------------|-------------------------|---------------|-------------|--------|---------------------|-------|----------------------|---------------------|-------|
| PART NO.   | FUNCTION    | VDC           | VDC                     | Amp           | Watt        | R.P.M. | m <sup>3</sup> /min | CFM   | mmH <sub>2</sub> O   | IN H <sub>2</sub> O | dB-A  |
| FFB0612HHE | -R00 / -F00 | 12            | 4.5 to 13.8             | 0.23          | 2.76        | 5000   | 0.870               | 30.72 | 9.87                 | 0.388               | 40.5  |
| FFB0624HHE | -R00 / -F00 | 24            | 14.0 to 26.4            | 0.13          | 3.12        |        |                     |       |                      |                     |       |
| FFB0612VHE | -R00 / -F00 | 12            | 4.5 to 13.8             | 0.34          | 4.08        | 6000   | 1.040               | 36.73 | 13.34                | 0.525               | 46.5  |
| FFB0624VHE | -R00 / -F00 | 24            | 14.0 to 26.4            | 0.17          | 4.08        |        |                     |       |                      |                     |       |
| FFB0612SHE | -R00 / -F00 | 12            | 4.5 to 13.8             | 0.55          | 6.60        | 7000   | 1.230               | 43.44 | 19.45                | 0.766               | 50.5  |
| FFB0624SHE | -R00 / -F00 | 24            | 14.0 to 26.4            | 0.27          | 6.48        |        |                     |       |                      |                     |       |
| FFB0612EHE | -R00 / -F00 | 12            | 4.5 to 13.8             | 0.80          | 9.60        | 8000   | 1.420               | 50.15 | 24.70                | 0.972               | 54.5  |
| FFB0624EHE | -R00 / -F00 | 24            | 14.0 to 26.4            | 0.38          | 9.12        |        |                     |       |                      |                     |       |
| FFB0612GHE | -R00 / -F00 | 12            | 4.5 to 13.8             | 0.93          | 11.16       | 9000   | 1.550               | 54.74 | 30.02                | 1.182               | 60.0  |

\* Function type is optional.  
 \* The max. air flow and the speed are measured in free air ; max. air pressure is measured at zero air flow.  
 \* Noise is measured in anechoic chamber in free air, one meter from intake side.  
 \* All readings are typical values at rated voltage.  
 \* Specifications are subject to change without notice.