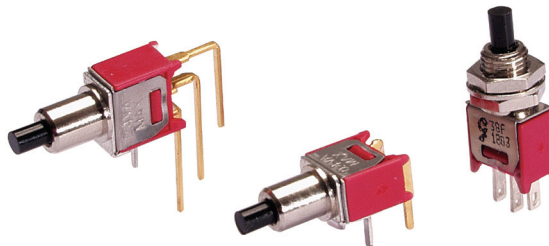


**SERIES 38F**  
Sub-Miniature  
Pushbutton Switches

**FEATURES**

- Save Space and Weight
- SPDT and DPDT Circuitry
- Choice of Actuators, Bushings, and Terminations
- UL Recognized



**MODELS** IN INCHES (AND MILLIMETERS)

**SPST**

FLAT  
Ø.240 (Ø6.10)  
.173 (4.39)  
SCHEMATIC

.155 (3.94)  
10-48UNS  
.200 (5.08)  
Ø.100 (Ø2.54)  
.214 (5.45)  
.020 (0.51)  
.110 (2.79)  
.282 (7.18)

.200 (5.08)  
.321 (8.16)  
.059 (1.52)

( )=MOMENTARY

MODEL NO.	SWITCH POSITION	
SP9	OFF	(ON)

---

**SPDT**

FLAT  
Ø.240 (Ø6.10)  
.173 (4.39)  
SCHEMATIC

.155 (3.94)  
10-48UNS  
.200 (5.08)  
Ø.100 (Ø2.54)  
.214 (5.45)  
.020 (0.51)  
.160 (4.06)  
.110 (2.79)  
.282 (7.18)

.200 (5.08)  
.321 (8.16)  
.059 (1.52)

( )=MOMENTARY

MODEL NO.	SWITCH POSITION	
SP8	ON	(ON)
TERM. COMM.	2-1	2-3

Pushbutton Switches

**BUSHING OPTIONS** IN INCHES (AND MILLIMETERS)

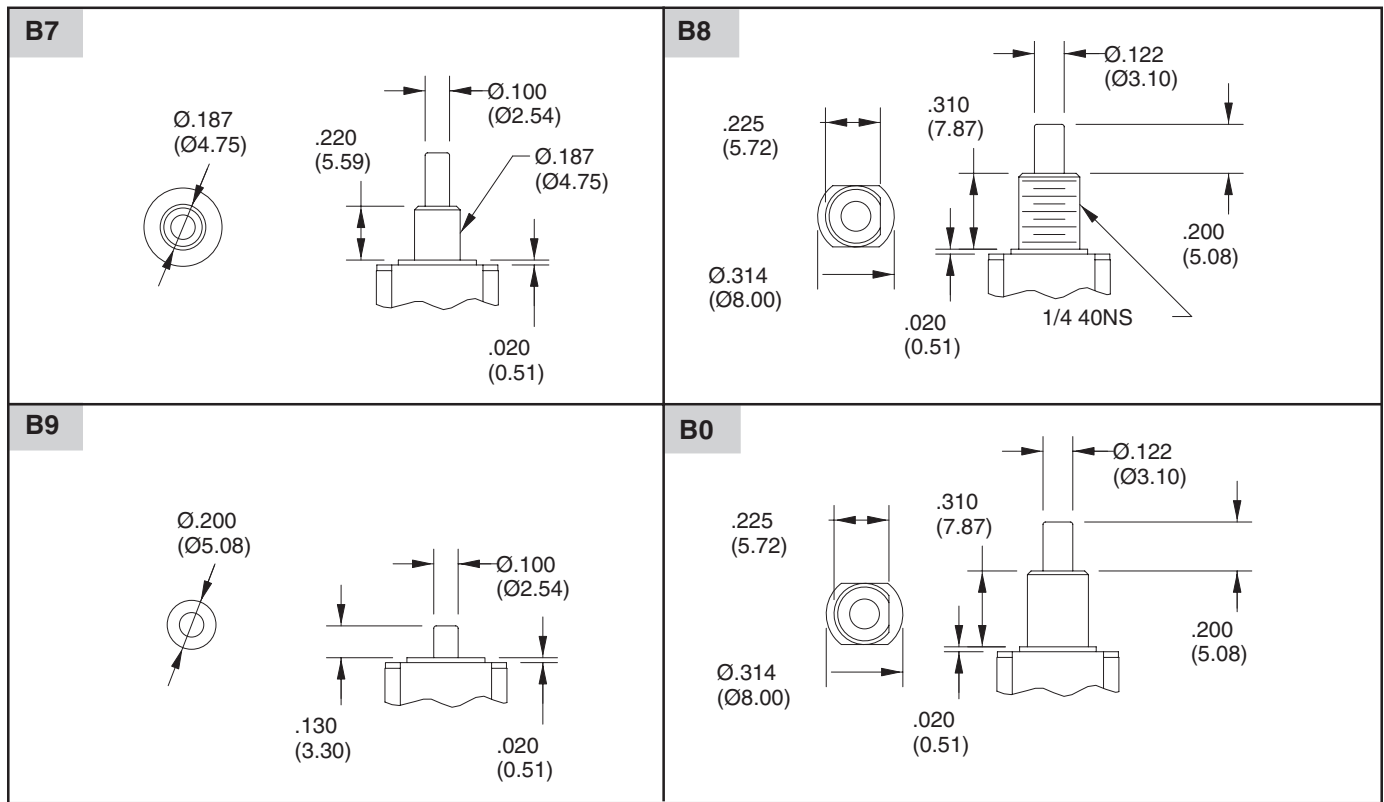
**B5**

Ø.100 (Ø2.54)  
.220 (5.59)  
10-48 UNS  
.173 (4.39)  
.020 (0.51)

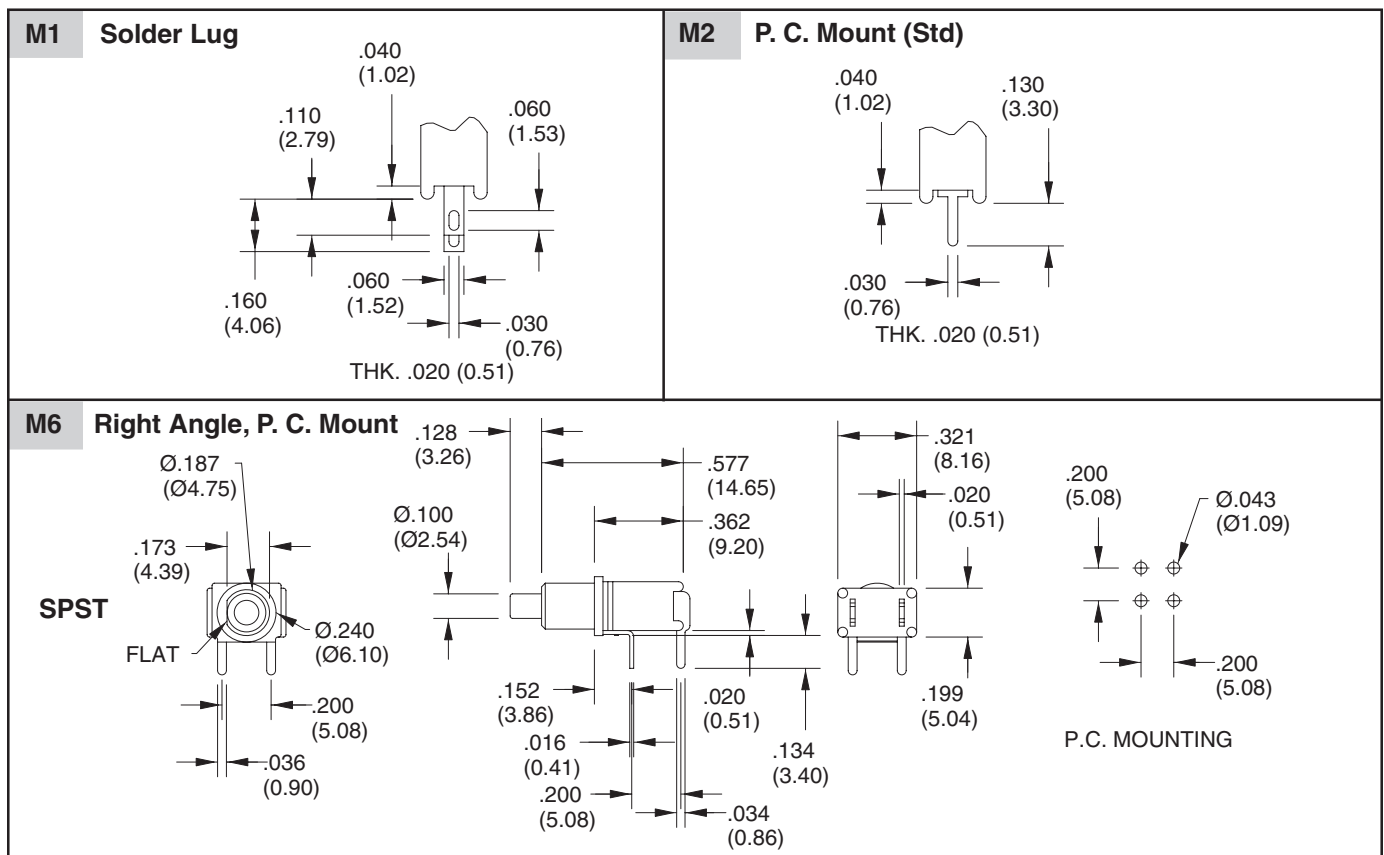
**B6**

Ø.100 (Ø2.54)  
.220 (5.59)  
Ø.187 (Ø4.75)  
.173 (4.39)  
.020 (0.51)

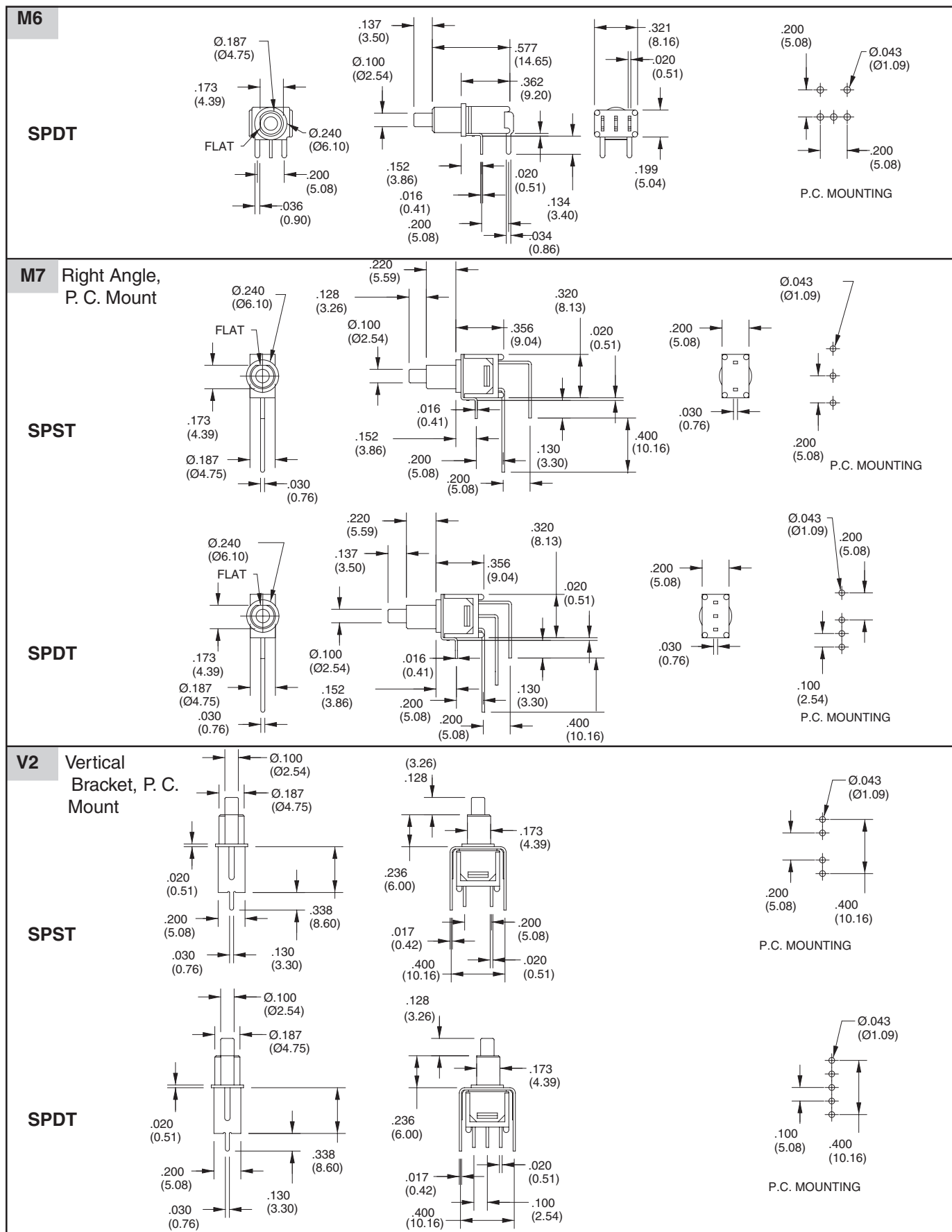
## BUSHING OPTIONS (CONT.) IN INCHES (AND MILLIMETERS)



## TERMINATION OPTIONS IN INCHES (AND MILLIMETERS)



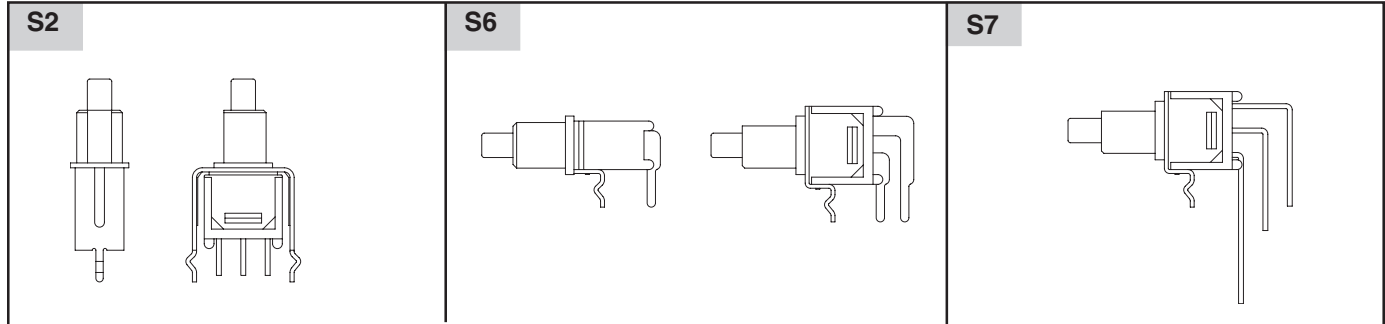
TERMINATION OPTIONS (CONT.) IN INCHES (AND MILLIMETERS)



Pushbutton Switches

## Snap-in Termination Options

(Snap-in termination options have the same PC layout as M2, M6 and M7 options)



## SPECIFICATIONS

### RATINGS

**Contact Rating:** Q & G option - 1A with resistive load @ 125 VAC or 28 VDC; R option - 0.4 VA max @ 20 Vmax (AC or DC)

**Electrical Life:** 30,000 make-and-break cycles at full load

**Travel:** .030 ± .010

**Contact Resistance:** 20 milliohms max. initial @ 2-4 VDC, 100 mA

**Insulation Resistance:** 1,000 megaohms minimum

**Dielectric Strength:** 1,000 V RMS @ sea level

**Operating Temperature:** -30°C to 85°C

### MATERIALS

**Case:** Diallyl phthalate (DAP) (UL94V-0)

**Plunger:** Polyester

**Bushing:** Brass, nickel plated

**Housing:** Stainless steel

**Terminal/Switch Support:** Brass, electroplated

**Terminal Seal:** Epoxy

## ORDERING INFORMATION

SERIES	MODEL NO.	BUSHING	TERMINATION	CONTACT	SEAL
<b>38F</b>	<b>SP8</b>	<b>B5</b>	<b>M1</b>	<b>Q</b>	<b>T</b>
38F = Sub-Miniature Pushbutton Switches	Options: SP8, SP9 (see models for switching positions)	Options: B5, B6, B7, B8, B9, B0 (see bushing options)	Options: M1, M2, M6, M7, V2, S2, S6, S7 (see termination options)	R = Copper alloy, gold plate over nickel plate.  Q = Copper alloy, silver plated  G=Gold plate over silver plate	T = Lead Free and RoHS Compliant
<b>Example Part Number: 38FSP8B5M1QE</b>					

Available from your local Grayhill Component Distributor. For prices and discounts, contact a local Sales Office, an authorized local Distributor or Grayhill.