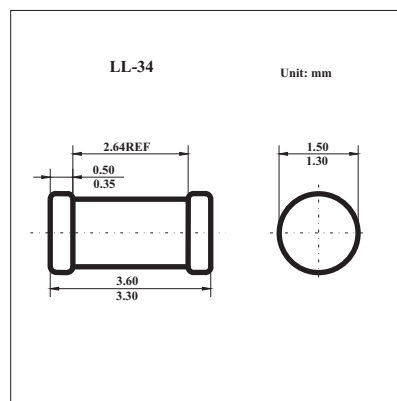


KLL5817W-KLL5819W

■ Features

- Low Power Loss, High Efficiency
- High Current Capability and Low Forward Voltage Drop
- High Surge Capability



■ Maximum Ratings and Electrical Characteristics @ Ta = 25°C

Parameter	Symbol	Rating			Unit
		KLL5817W	KLL5818W	KLL5819W	
Peak Repetitive Reverse Voltage	V _{RRM}	20	30	40	V
Working Peak Reverse Voltage	V _{RMS}				
DC Blocking Voltage	V _{DC}				
RMS Reverse Voltage	V _{R(RMS)}	14	21	28	V
Average Rectified Output Current @T _A = 90°C	I _O	1.0			A
Non-Repetitive Peak Forward Surge Current, 8.3ms Single Half Sine-wave Superimposed on Rated Load (JEDEC method)	I _{FSM}	25			A
Peak Reverse Leakage Current	I _{RM}	1.0			mA
Forward Voltage @ I _F = 1.0A	V _{FM}	0.45	0.55	0.60	V
Typical Total Capacitance	C _T	110	110	90	pF
Typical Thermal Resistance Junction to Ambient	R _{θJA}	50			°C/W
Operating and Storage Temperature Range	T _J , T _{STG}	-65 to +125			°C