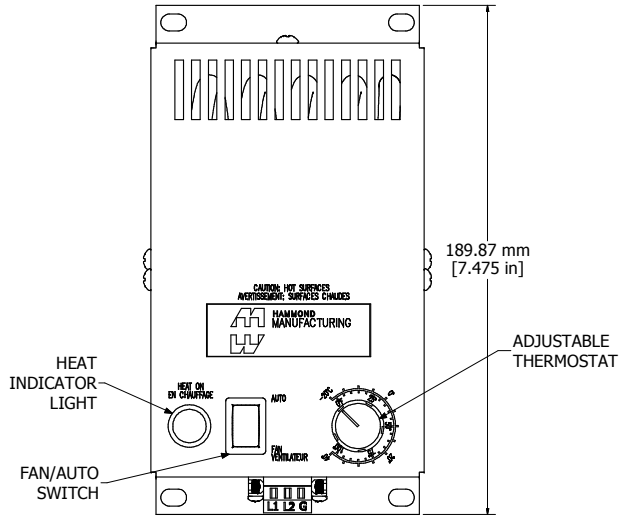
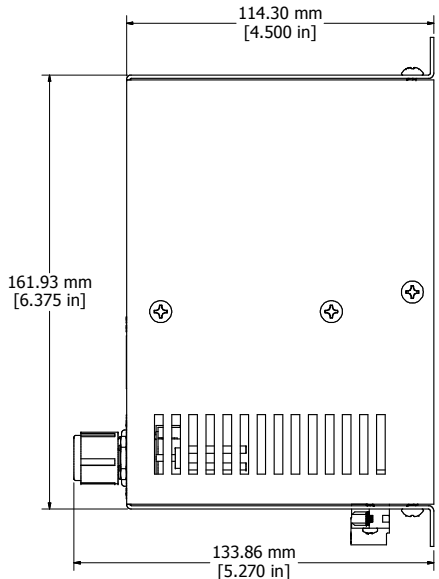


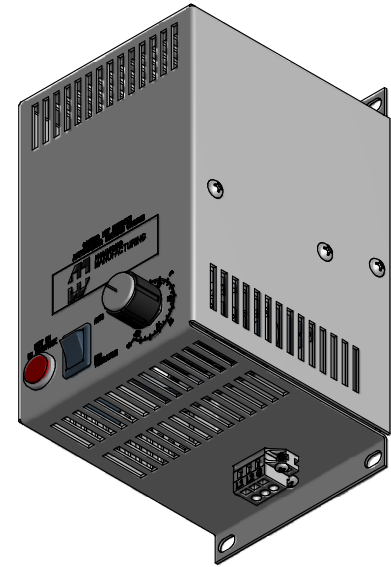
8 7 6 5 4 3 2 1



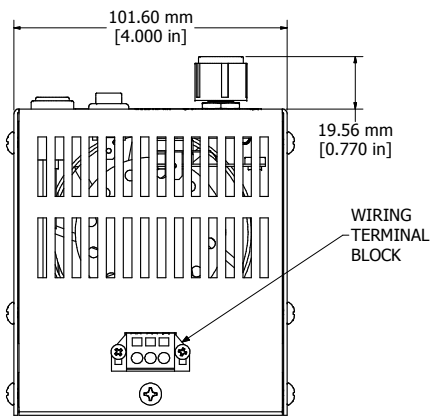
ASSEMBLY - VIEW FROM FRONT



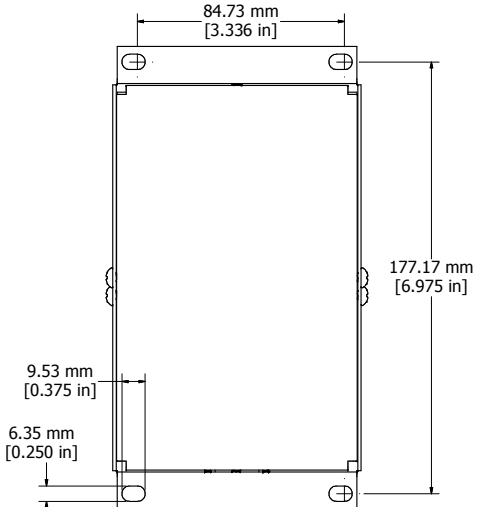
ASSEMBLY - VIEW FROM SIDE



ISOMETRIC VIEW



ASSEMBLY - VIEW FROM BOTTOM



ASSEMBLY - VIEW FROM BACK

| |
|---|
| FLHTF400A230 |
| Housing - Aluminum Alloy |
| Rating - 220/240 VAC, 50/60 Hz, 335/400 W |
| Approvals - UL Recognized Standard UL 508A - CSA Standard C22.2 No. 88 |

HAMMOND MANUFACTURING™

FLHTH400A230

www.hammondmfg.com

8 7 6 5 4 3 2 1