

CMF Series



The CMF series is a type of common mode filter designed and produced using the multilayer technology. The multilayer construction allows for excellent noise suppression for signal lines used in high-speed and high-density digital equipment such as personal computers, facsimiles, DSC, STB, etc. Both standard series and custom-design products are available.

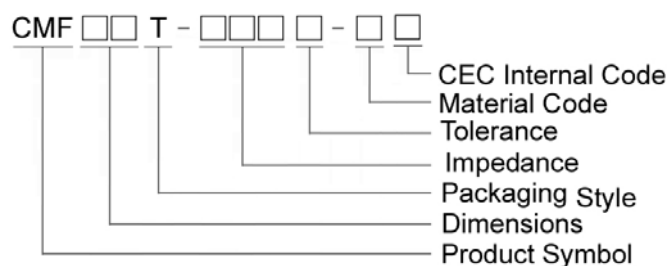
Features

- Multilayer construction for effective suppression of common mode noise at high frequency
- Excellent solderability
- Compact design

Applications

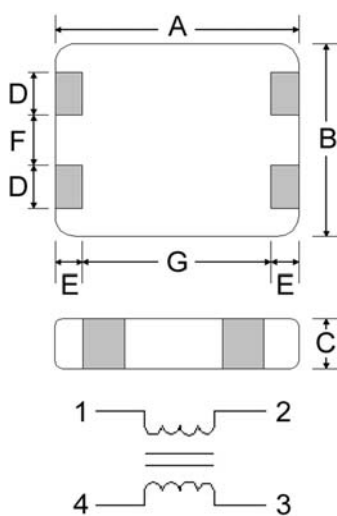
- High speed interfaces (IEEE1394, USB2.0, and LVDS) in electronic devices
- PDP, LCD TV, DVD player, PC, Audio player, DSC
- Digital audio and video equipment such as PDAs, DVC, CD player, MD player, etc.

Product Identification

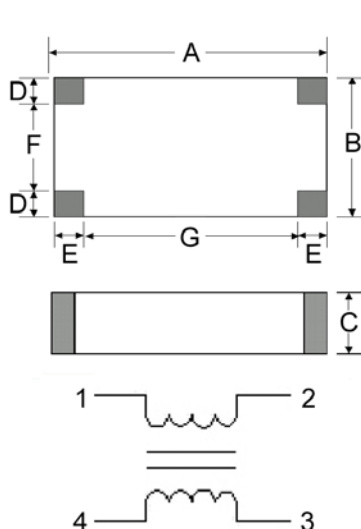


Shape and Dimensions

CMF11



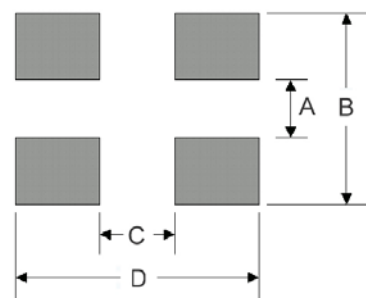
CMF21



Dimensions in mm

TYPE	A	B	C	D	E	F	G
CMF11	1.25±0.15	1.00±0.15	0.60±0.15	0.30±0.15	0.20±0.15	0.55±0.15	0.85±0.15
CMF21	2.00±0.20	1.25±0.20	1.00±0.20	0.35±0.10	0.40±0.10	0.55±0.20	1.20±0.20

Recommended Pattern



Dimensions in mm

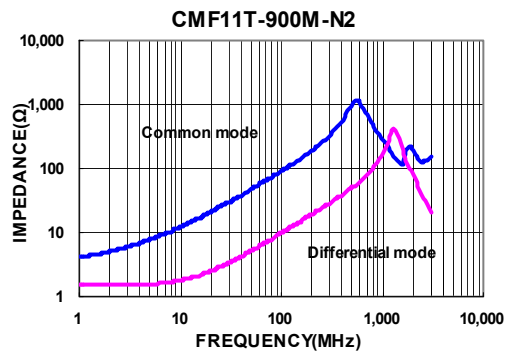
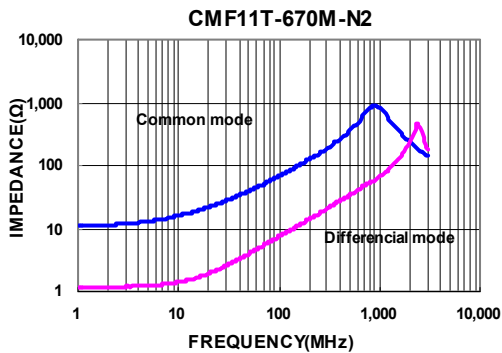
TYPE	A	B	C	D
CMF11	0.2~0.3	0.7~1.0	0.7~0.8	1.6~1.9
CMF21	0.50	1.30	0.80	2.60

Electrical Characteristics

Part Number	Impedance (Ω)	Test Frequency (MHz)	Tolerance ($\pm\%$)	RDC (Ω)Max	Rated Current (mA)Max	Rated Voltage (Vdc)Max	Insulation Resistance (M Ω) Min
CMF11T-670M-N2	67	100	20	1.35	100	10	200
CMF11T-900M-N2	90	100	20	1.45	100	10	200

- When ordering, please specify tolerance and packaging codes
- Tolerance: M = $\pm 20\%$
- Packaging: Clear tape and reel {standard}
- Z: Agilent E4991A
- Rdc (single line): CH502BC HP4338B
- Insulation Resistance: Agilent HP4339B
- Operating temperature range from -40°C to $+105^{\circ}\text{C}$. (Including self - temperature rise)

Test Instruments : Agilent E4991A Material/Impedance Analyzer

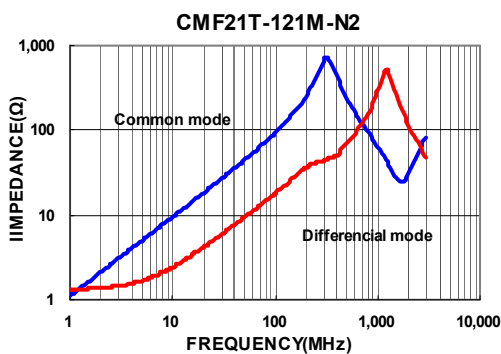
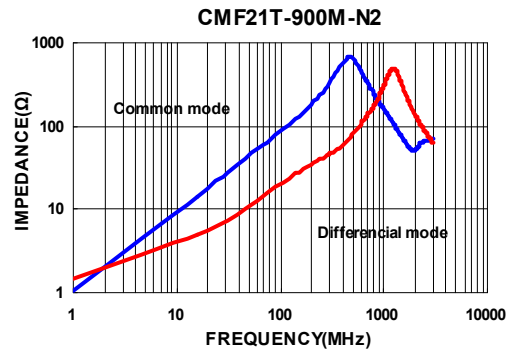
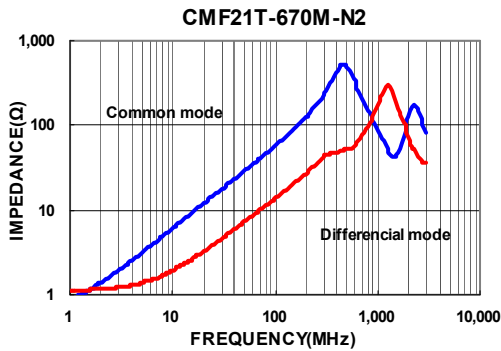


Electrical Characteristics

Part Number	Impedance (Ω)	Test Frequency (MHz)	Tolerance ($\pm\%$)	RDC (Ω)Max	Rated Current (mA)Max	Rated Voltage (Vdc)Max	Insulation Resistance (M Ω) Min
CMF21T-670M-N2	67	100	20	0.80	400	30	200
CMF21T-900M-N2	90	100	20	0.85	400	30	200
CMF21T-121M-N2	120	100	20	0.90	400	30	200

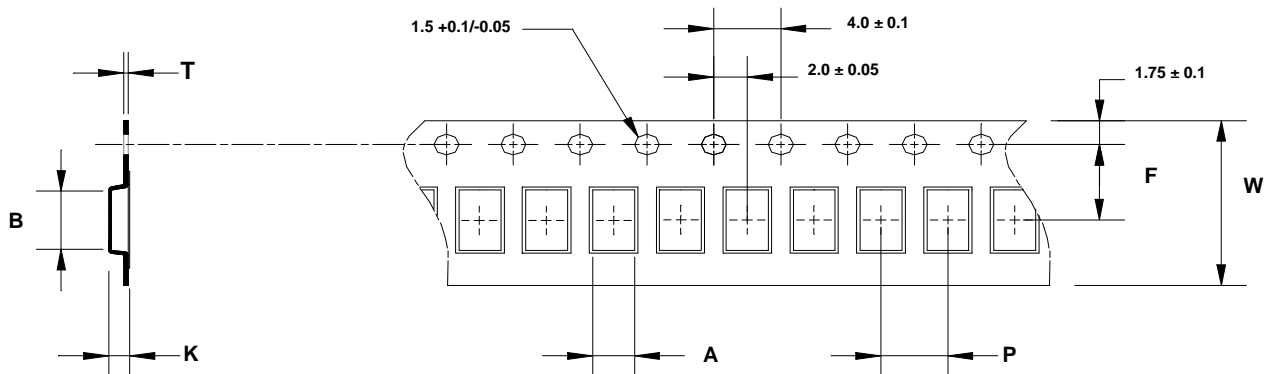
- When ordering, please specify tolerance and packaging codes
- Tolerance: M = $\pm 20\%$
- Packaging: Clear tape and reel {standard}
- Z: Agilent E4991A
- Rdc (single line): CH502BC HP4338B
- Insulation Resistance: Agilent HP4339B
- Operating temperature range from -40°C to $+105^{\circ}\text{C}$. (Including self - temperature rise)

Test Instruments : Agilent E4991A Material/Impedance Analyzer

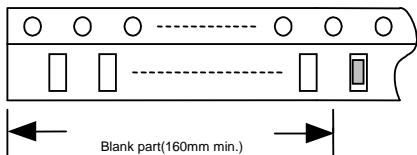


Packaging Specifications

Tape Dimensions

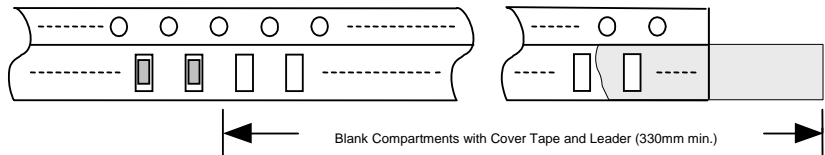


Trailer End



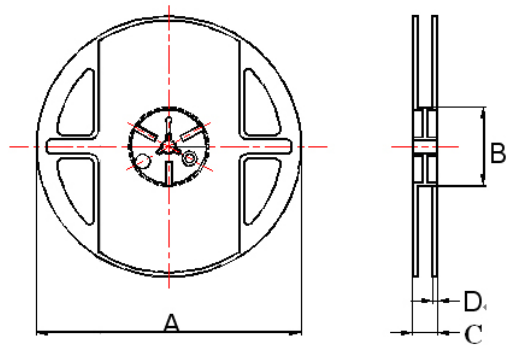
Blank part(160mm min.)

Leader End



Blank Compartments with Cover Tape and Leader (330mm min.)

Reel Dimensions



Dimensions in mm

TYPE	Tape Dimensions							Reel Dimensions				Quantity
	A	B	T	W	P	F	K	A	B	C	D	PCS / Reel
CMF11	1.15	1.50	0.25	8	4	3.5	0.72	178	60	12	1.5	4000
CMF21	1.45	2.30	0.22	8	4	3.5	1.13	178	60	12	1.5	3000