

FEATURES

8 channels of LNA, VGA, AAF, ADC, and digital RF decimator

Low power: 150 mW per channel, TGC mode, 40 MSPS;
65mW per channel, CW mode; <30mW at power-up

10 mm × 10 mm, 144-ball CSP-BGA

TGC channel input-referred noise: 0.8 nV/√Hz, max gain

Flexible power-down modes

Fast recovery from low power standby mode: <2 μs

Overload recovery: <10 ns

Low noise preamplifier (LNA)

Input-referred noise: 0.78 nV/√Hz, gain = 21.6 dB

Programmable gain: 15.6 dB/17.9 dB/21.6 dB

0.1 dB compression: 1000 mV p-p/750 mV p-p/450 mV p-p

Flexible active input impedance matching

Variable gain amplifier (VGA)

Attenuator range: 45dB, Linear-in-dB gain control

Postamp gain (PGA): 21 dB/24 dB/27 dB/30 dB

Antialiasing filter (AAF)

Programmable second-order LPF from 8 MHz to 18 MHz or
13.5MHz to 30MHz and HPF

Analog-to-digital converter (ADC)

SNR: 75dB, 14 bits up to 125 MSPS

JESD204B Subclass 0 coded serial digital outputs

CW mode harmonic rejection I/Q demodulator

Individual programmable phase rotation

Output dynamic range per channel: >160 dBc/√Hz

Output-referred SNR: 156 dBc/√Hz, 1 kHz offset, -3dBFS

RF digital high-pass filter and decimation by 2

The AD9675 is designed for low cost, low power, small size, and ease of use for medical ultrasound. It contains eight channels of a variable gain amplifier (VGA) with a low noise preamplifier (LNA), a CW harmonic rejection I/Q demodulator with programmable phase rotation, an anti-aliasing filter (AAF), an analog-to-digital converter (ADC), a digital high-pass filter and an RF decimation by 2.

Each channel features a maximum gain of up to 52 dB, a fully differential signal path, and an active input preamplifier termination. The channel is optimized for high dynamic performance and low power in applications where a small package size is critical.

The LNA has a single-ended-to-differential gain that is selectable through the SPI. Assuming a 15 MHz noise bandwidth (NBW) and a 21.6 dB LNA gain, the LNA input SNR is 94 dB. In CW Doppler mode, each LNA output drives an I/Q demodulator that has independently programmable phase rotation with 16 phase settings.

Power-down of individual channels is supported to increase battery life for portable applications. Standby mode allows quick power-up for power cycling. In CW Doppler operation, the VGA, AAF, and ADC are powered down. The ADC contains several features designed to maximize flexibility and minimize system cost, such as a programmable clock, data alignment, and programmable digital test pattern generation. The digital test patterns include built-in fixed patterns, built-in pseudo random patterns, and custom user-defined test patterns entered via the serial port interface.

GENERAL DESCRIPTION

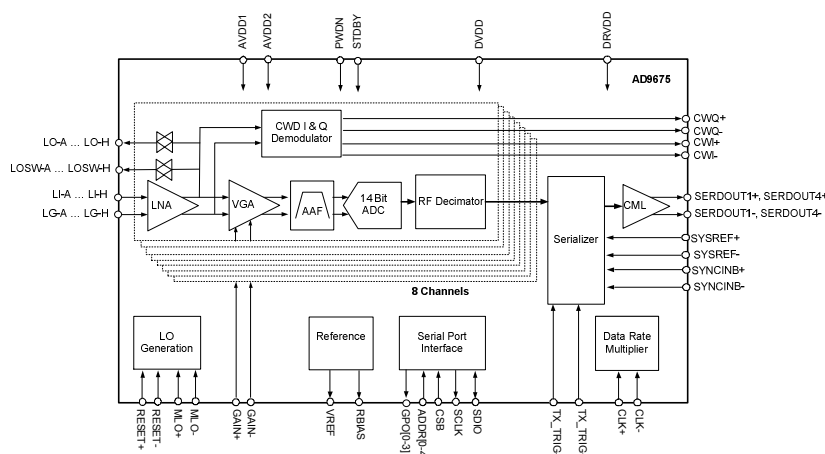


Figure 1.

Rev. PrB

Information furnished by Analog Devices is believed to be accurate and reliable. However, no responsibility is assumed by Analog Devices for its use, nor for any infringements of patents or other rights of third parties that may result from its use. Specifications subject to change without notice. No license is granted by implication or otherwise under any patent or patent rights of Analog Devices. Trademarks and registered trademarks are the property of their respective owners.

One Technology Way, P.O. Box 9106, Norwood, MA 02062-9106, U.S.A.

Tel: 781.329.4700

Fax: 781.461.3113

www.analog.com

© Analog Devices, Inc. All rights reserved.

NOTES