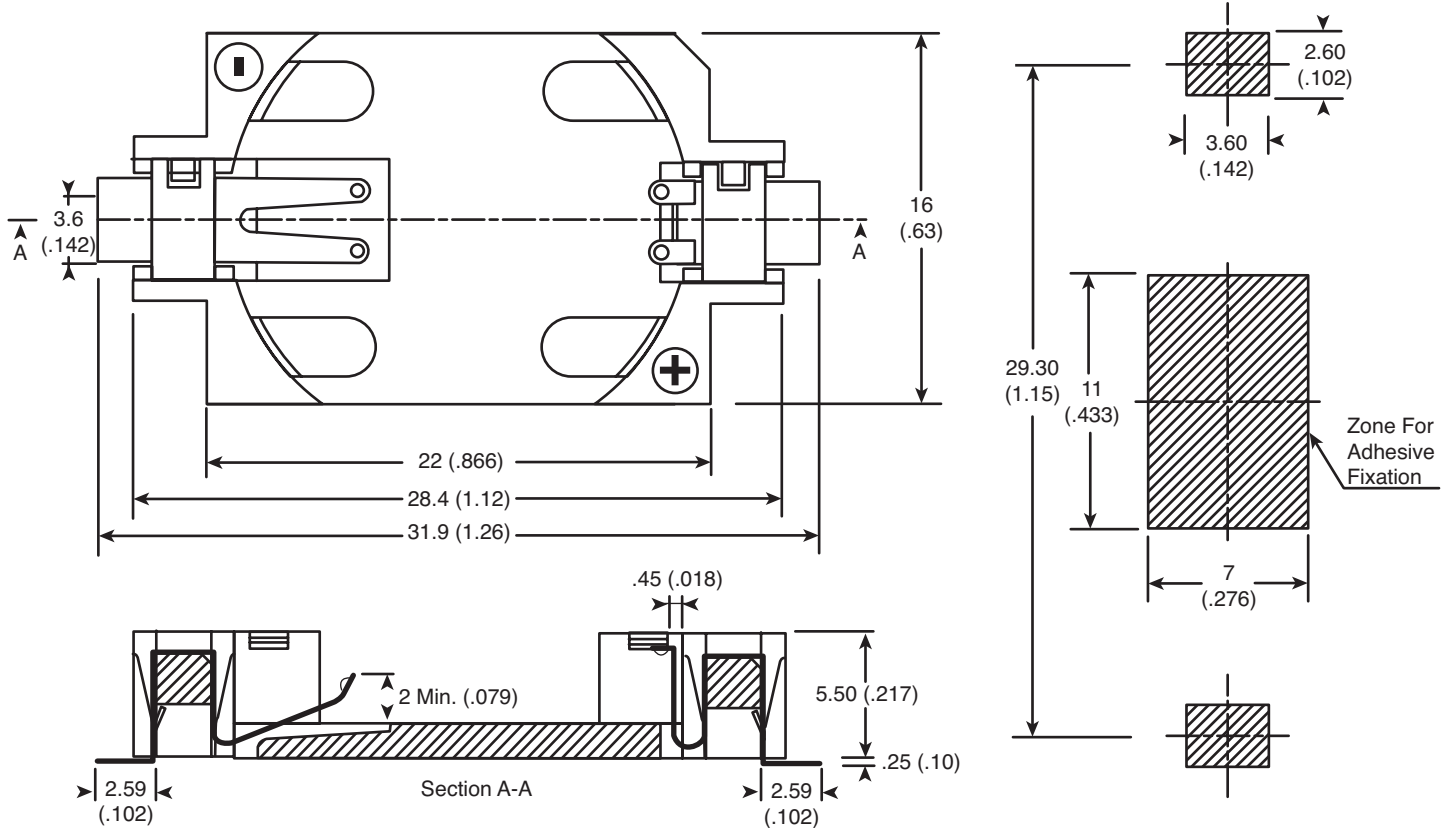


Date Last Revised: 4-4-12



Dimensions: mm (In.)

SPECIFICATIONS	
Material:	Housing: LCP 30%GF White Color Contacts: Phosphor Bronze C5191R-H
Plating:	Gold (1 μ min.) over Ni (5 μ min.) ; Lead Free
Reflow Temp:	260° C, Pure Tin
RoHS Compliant	