



Model No.	ASH1001
REV.	C1

Size	25.4mm*6mm*5.1mm
Temperature	-10 -40
Weight	0.5g

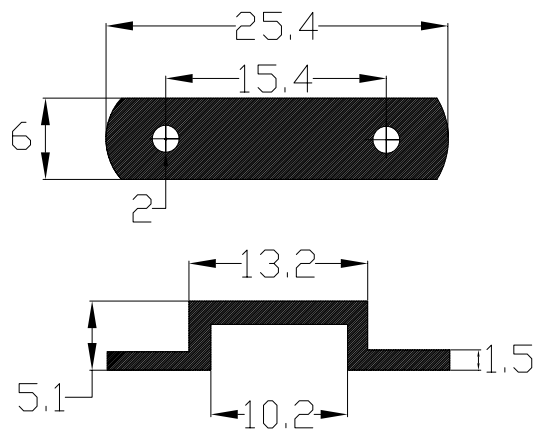
Application:

10mm wide IP67& IP68 LED light strip

Product Picture:



Product Dimensions:



Unit:mm

Tolerance: +0.2