

LINEARlight Colorpod™ XB



NEW SYLVANIA LINEARlight Colorpod XB provides infinite possibilities for colored lighting.

SYLVANIA LINEARlight Colorpod XB offers a brighter alternative to the standard LINEARlight Colorpod. It is designed for accent or perimeter lighting and provides the lighting professional with infinite possibilities for creating and designing custom color changing applications.

The LINEARlight Colorpod XB is a strand of 50 LED nodes. Each node is individually addressable, allowing any node to display any color at any time. A typical application would be customized effects on a building facade.

The LINEARlight Colorpod XB receives power and data from SYLVANIA'S preprogrammed or DMX power supplies. The LED strand has a 4-inch spacing between nodes and is available with clear or frosted lenses.

Key Features & Benefits

- Flexible LED Strand; IP66 rated for exterior/interior applications
- Dynamic colored illumination
- Each LED node contains red, green and blue LED chips
- Each LED strand contains 50 individually addressable LED nodes
- LED strand is available with clear or frosted lens for each node
- 4 inch LED spacing for superior uniformity
- Size of entire module: 67 ft. (20.4m) with 50 foot (15.2m) leader cable from power/data supply to first node
- Color range: 64 billion additive RGB colors; continuously variable intensity
- UL/CUL, CE Certified
- LED strand 12Vdc, 50W @ full intensity
- Operating temperature range: -4°F to 122°F (-20°C to 50°C)

Product Offering

Product	Color
LINEARlight Colorpod XB/Clear-67ft	Color RGB
LINEARlight Colorpod XB/Frosted-67ft	Color RGB

To be used only with OTCP power supplies and controls

Application Information

Applications

- Edge lighting
- Accent lighting
- Cove lighting
- Color mixing
- Controlled color sequencing
- Custom color applications

Specifications and Certifications



The SYLVANIA LINEARlight Colorpod XB is UL2108 Listed for US and Canada Class 2 Unit (UL file # E247649)

RoHS Compliant



Specification Data

Catalog #	Type
Project	
Comments	
Prepared by	Date

Ordering Information

LED Strand

NAED	Description	Power (W)	Voltage, Vdc	Length, ft.	Lens
70208	LINEARlight Colorpod XB/Frosted – 67ft. ¹	50	12	67 ¹	Frosted
70209	LINEARlight Colorpod XB/Clear – 67ft. ¹	50	12	67 ¹	Clear

To be used only with OTCP power supplies and controls

¹ Length includes 50 feet of leader cable

Mounting Accessories

NAED	Description
70218	LINEARlight Colorpod XB/Track – 4ft. (Mounting track – 4ft.)
70219	LINEARlight Colorpod XB/Clip (Mounting Clip)

Power Supplies and Controls

NAED	Description	Max LED Load	Max LED Length, ft.
51593	OTCP60/120-240/12PRO	50 Node Strand	67
51594	OTCP60/120-240/12DMX	50 Node Strand	67
51595	OTCPTuner		

To be used only with Colorpod product

Photometric Performance

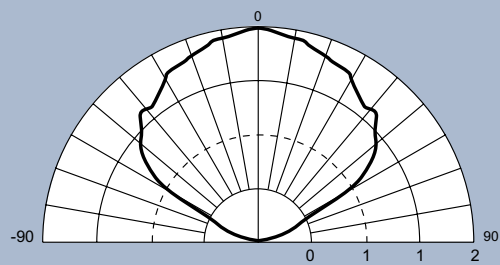
Photometric data is for the LED package, provided by the manufacturer, and the distributions do not reflect the housing and lens.

ILLUMINANCE DISTRIBUTION

0.2 2.2	0.3 3.2	0.4 4.3	0.5 5.4	0.3 3.2	0.2 2.2	3.0'/1.0m
0.3 3.2	0.6 6.5	0.9 9.7	0.9 9.7	0.6 6.5	0.3 3.2	2.0'/0.6m
0.5 5.4	0.9 9.7	1.4 15.1	1.3 14.0	0.9 9.7	0.5 5.4	1.0'/0.3m
0.4 4.3	0.9 9.7	1.3 14.0	1.4 15.1	0.9 9.7	0.4 4.3	1.0'/0.3m
0.3 3.2	0.6 6.5	0.9 9.7	0.9 9.7	0.6 6.5	0.3 3.2	2.0'/0.6m
0.2 2.2	0.3 3.2	0.4 4.3	0.5 5.4	0.3 3.2	0.2 2.2	3.0'/1.0m
3.0'/1.0m	0'/0m	0'/0m	0'/0m	0'/0m	3.0'/1.0m	

Units: Footcandles (top)/Lux (bottom)
10.8 lux = 1 fc
Measured on: All, reflectance model 50%
Distance from surface: Centered 1' (0.3 m) from, and perpendicular to, surface

CANDLE POWER DISTRIBUTION



Measured on: White
Beam center: 1.91 cd
Thin dashed lined: Indicates 50% of peak
Multipliers: 0.42 Red, 0.50 Green, 0.08 Blue

ILLUMINANCE

COLOR	1' 0.3m	2' 0.6m	4' 1.2m	6' 2m
WHITE	4.9 52.7	0.7 7.5	0.0 0.1	0.1 1.1
RED	2.1 22.2	0.3 3.2	0.0 0.0	0.0 0.5
GREEN	2.5 26.4	0.4 3.8	0.0 0.1	0.1 0.5
BLUE	0.4 4.2	0.1 0.6	0.0 0.0	0.0 0.1

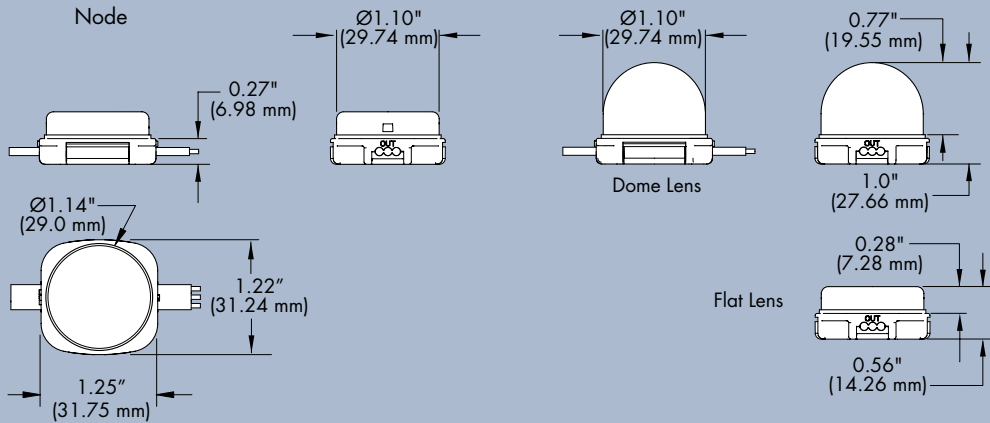
Measured in Footcandles (top)/Lux (bottom) on axis.
Measured on: All, reflectance 0.

LIGHT OUTPUT

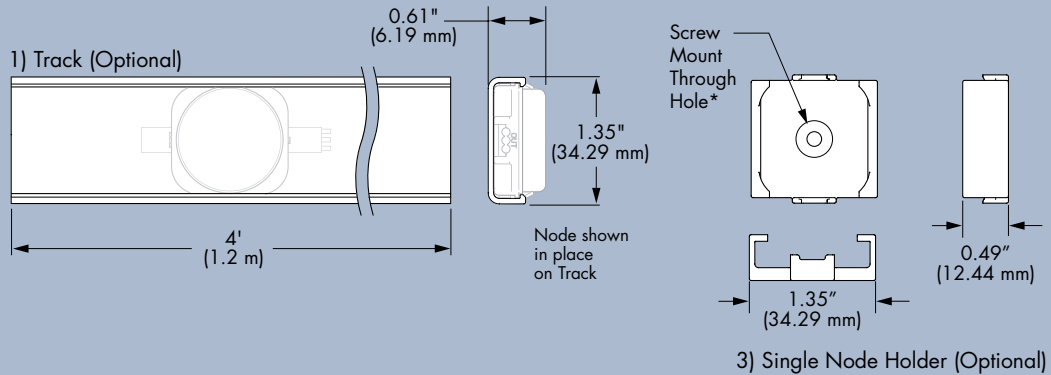
COLOR	TOTAL OUTPUT (lumens)	POWER (Watts)	EFFICACY (Lm/w)
WHITE	5.4	1.0	5.6
RED	2.3	0.3	7.6
GREEN	2.7	0.3	9.0
BLUE	0.4	0.3	1.4

Mechanical Drawing

Lens Options



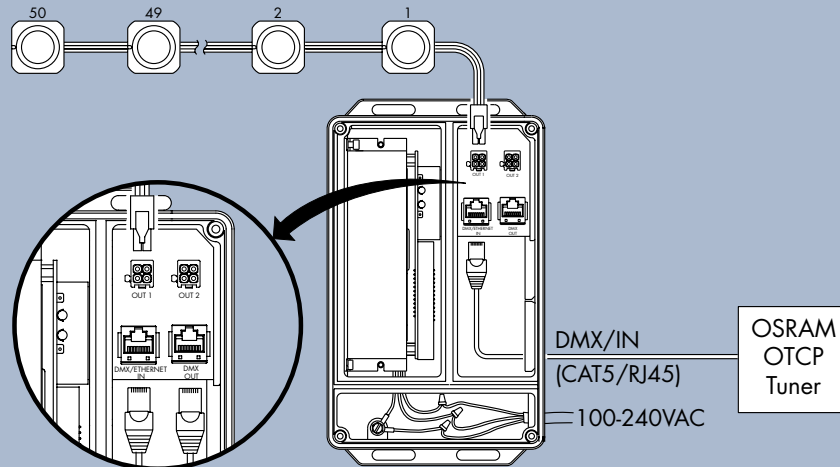
Mounting Accessories



* Single-node clip can be mounted using flat head screws or double-sided tape.

Functional Flow Diagram

Maximum: 1 LINEARlight Colorpod XB run (50 nodes)
per OTCP60/120-240/12 (DMX or Pro) on Output 1
Leader Cable: 50-feet (15 m)



For complete installation instructions and safety precautions, refer to the LINEARlight Colorpod XB User Guide.

SYLVANIA is a registered trademark of OSRAM SYLVANIA Inc.
OPTOTRONIC is a registered trademark of OSRAM GmbH.
Colorpod is a trademark of OSRAM SYLVANIA Inc.
Specifications subject to change without notice.

United States
OSRAM SYLVANIA
100 Endicott Street
Danvers, MA 01923

Trade
Phone: 1-800-255-5042
Fax: 1-800-255-5043

National Accounts
Phone: 1-800-562-4671
Fax: 1-800-562-4674

OEM/Special Markets
Phone: 1-800-762-7191
Fax: 1-800-762-7192

Display/Optic
Phone: 1-888-677-2627
Fax: 1-800-762-7192

Canada
OSRAM SYLVANIA LTD.
2001 Drew Road
Mississauga, ON L5S 1S4

Trade
Phone: 1-800-263-2852
Fax: 1-800-667-6772

OEM/Special Markets/Display/Optic
Phone: 1-800-265-2852
Fax: 1-800-667-6772

www.sylvania.com