

Preliminary

*This is tentative specification.

<M F T>
RT8H052C

The over current protection of three shunt method

DESCRIPTION

RT8H052C is composed by NPN transistors, PNP transistors and resistors. It can miniaturization of a set and reduce parts or time necessary for completion. This MFT composed the circuit for the over current protection of three shunt method.

FEATURES

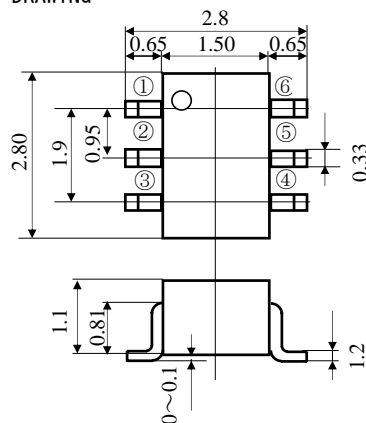
- Miniaturization of a set.
- Variable VREF by external resistance.
- Open collector output.

APPLICATION

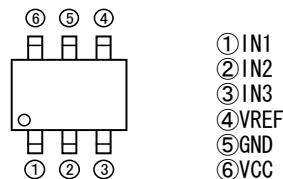
The over current protection of three shunt method.

OUTLINE DRAWING

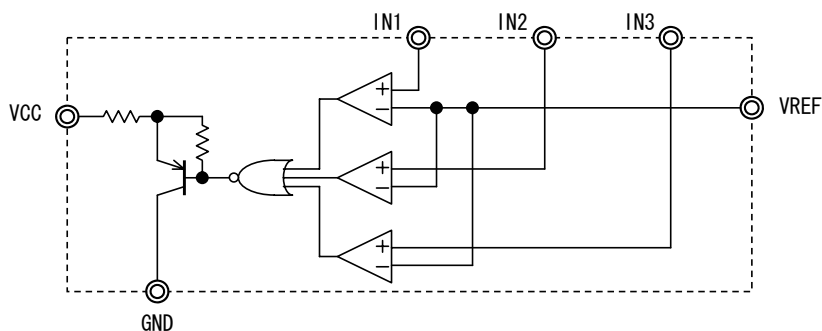
Unit : mm



PIN CONFIGURATION



BLOCK DIAGRAM



Preliminary

*This is tentative specification.

< M F T >
RT8H052C

The over current protection of three shunt method

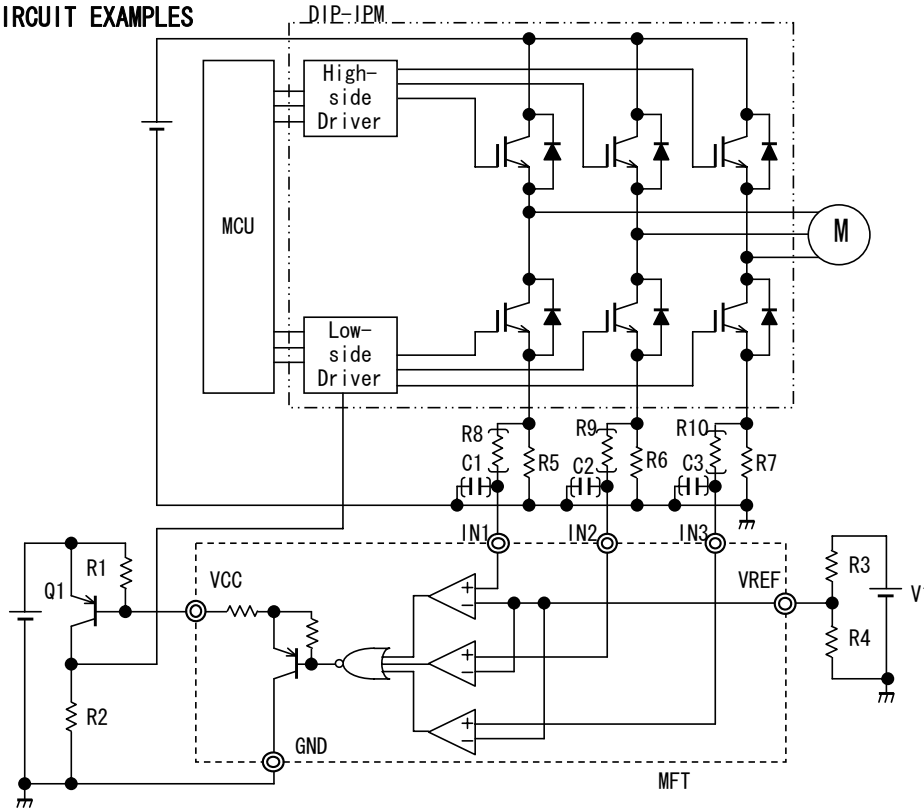
ABSOLUTE MAXIMUM RATINGS (Ta=25°C)

Symbol	Parameter	Conditions	Ratings	Unit
Vcc	Supply voltage		12	V
Pd	Internal power dissipation		200	mW
K θ	Thermal derating	Ta \geq 25°C	1.6	mW/°C
Tj	Junction temperature		150	°C
Tstg	Storage temperature	(keep dry)	-40~150	°C
Topr	Operating temperature	Tj (keep dry)	-30~150	°C

ELECTRICAL CHARACTERISTIC (Ta=25°C, VCC=5V unless otherwise noted.)

Symbol	Parameter	Test conditions	Designed value			Unit
			Min	Typ	Max	
Vcc	Operating supply voltage range		3	5	10	V
ICC_off	Circuit current of off states	IN1=IN2=IN3=0V、VREF=0.5V		0.2		mA
ICC_on	Circuit current of on states	IN1=1V、IN2=IN3=0V、VREF=0.5V		2.9		mA
VINCM	Common mode input voltage range		0.3	-	VCC-0.8	V
VIN1th	IN1 threshold voltage	VREF=0.5V、IN2=IN3=0V		0.5		V
VIN2th	IN2 threshold voltage	VREF=0.5V、IN1=IN3=0V		0.5		V
VIN3th	IN3 threshold voltage	VREF=0.5V、IN1=IN2=0V		0.5		V

APPLICATION CIRCUIT EXAMPLES



OPERATING EXPLANATION

This MFT have VREF terminal, so the threshold voltage can be freely set by external connected resistance. MFT doesn't have the output terminal for six pins MFT (VCC, GND, VREF, IN1, IN2, IN3). The terminal VCC uses two functions of the power-supply voltage terminal and the output terminal. The circuit current flows about 200uA, when the threshold voltage does not get over than neither of IN1~IN3 setting of VREF. When the voltage of VREF (V) or more is impressed to either of terminal of IN1~IN3, it enters the state of detection, the circuit current flows to VCC becomes about 2.9mA. By using the characteristic of this circuit current, the output signal can be made by connecting the PNP transistor outside. The output terminal is the collector terminal of the Q1:PNP transistor. At the usual state, the PNP transistor is turning off and output Low. At the detecting state, the PNP transistor is turning on and output High.

SELECTION OF PARTS

How to select the resistance at above application circuit example.

Resistance R1 connected between emitter bases of the Q1:PNP transistor is set to turn on the PNP transistor when the PNP transistor is usually turned off in the circuit current in the state, and the detected circuit current flows about MFT.

please set resistance R1 at rage $390\Omega \sim 1.5k\Omega$.

The current thrown into the Q1:PNP transistor is adjusted by resistance R2 between collectors GND.

Calculation formula, if making VREF from resistance.

$$VREF(V) = R4 / (R3 + R4) * V1$$

R5, R6, and R7 are the shunt resistance. R8, R9, R10, C1, C2, and C3 are noise filters. Please connect it if necessary.

The above value is a theory value. Please set it after an enough evaluation.

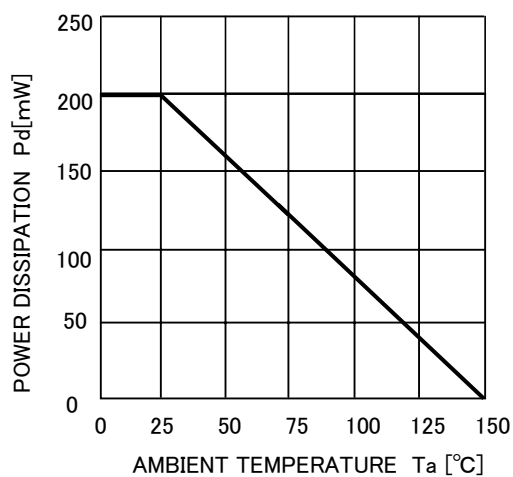
Preliminary

*This is tentative specification.

<M F T>
RT8H052C

The over current protection of three shunt method

THERMAL DERATING





6-41 Tsukuba, Isahaya, Nagasaki, 854-0065 Japan

Keep safety first in your circuit designs!

•ISAHAYA Electronics Corporation puts the maximum effort into making semiconductor products better and more reliable, but there is always the possibility that trouble may occur with them. Trouble with semiconductors may lead to personal injury, fire or property damage. Remember to give due consideration to safety when making your circuit designs, with appropriate measures such as (1) placement of substitutive, auxiliary, (2) use of non-flammable material or (3) prevention against any malfunction or mishap.

Notes regarding these materials

- These materials are intended as a reference to our customers in the selection of the ISAHAYA products best suited to the customer's application; they don't convey any license under any intellectual property rights, or any other rights, belonging ISAHAYA or third party.
- ISAHAYA Electronics Corporation assumes no responsibility for any damage, or infringement of any third party's rights, originating in the use of any product data, diagrams, charts or circuit application examples contained in these materials.
- All information contained in these materials, including product data, diagrams and charts, represent information on products at the time of publication of these materials, and are subject to change by ISAHAYA Electronics Corporation without notice due to product improvements or other reasons. It is therefore recommended that customers contact ISAHAYA Electronics Corporation or an authorized ISAHAYA products distributor for the latest product information before purchasing product listed herein.
- ISAHAYA Electronics Corporation products are not designed or manufactured for use in a device or system that is used under circumstances in which human life is potentially at stake. Please contact ISAHAYA electronics corporation or an authorized ISAHAYA products distributor when considering the use of a product contained herein for any specific purposes, such as apparatus or systems for transportation, vehicular, medical, aerospace, nuclear, or undersea repeater use.
- The prior written approval of ISAHAYA Electronics Corporation is necessary to reprint or reproduce in whole or in part these materials.
- If these products or technologies are subject to the Japanese export control restrictions, they must be exported under a license from the Japanese government and cannot be imported into a country other than the approved destination. Any diversion or re-export contrary to the export control laws and regulations of Japan and/or the country of destination is prohibited.
- Please contact ISAHAYA Electronics Corporation or authorized ISAHAYA products distributor for further details on these materials or the products contained therein.