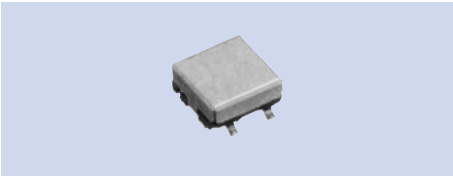


# Transformers for Inverter or Converter

## C5-S, C5-S2, C5-R, C6-R, C6-R1-4L, C8-R1-4L Series

### C5-S

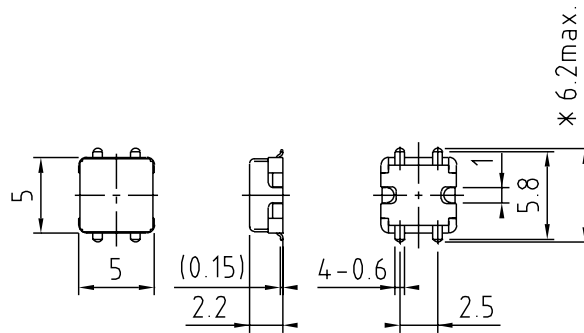


**Specifications**

- (1) 1~180μH
- (2) 10~300kHz
- (3) -

**Features**

- SMD
- 1000pcs./Reel



### C5-S2

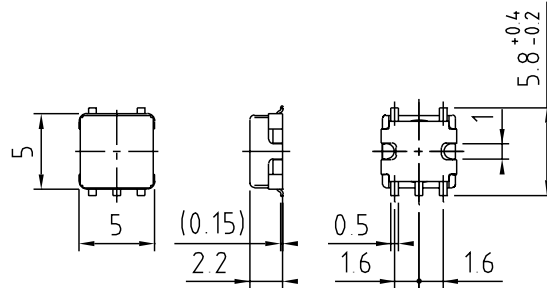


**Specifications**

- (1) 1~180μH
- (2) 10~300kHz
- (3) -

**Features**

- SMD
- 1000pcs./Reel



### C5-R

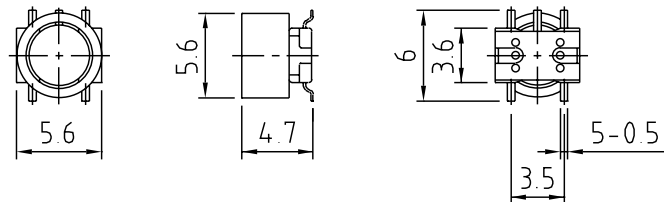


**Specifications**

- (1) 0.1~8mH
- (2) 10~300kHz
- (3) -

**Features**

- SMD
- 1000pcs./Reel



### C6-R

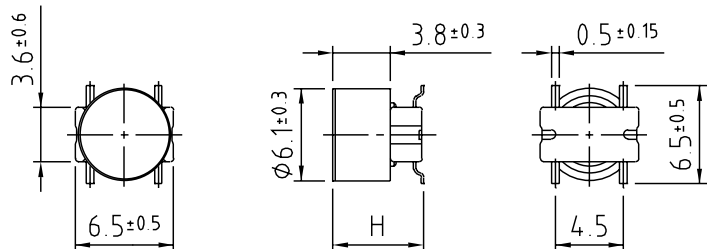


**Specifications**

- (1) 0.1~5.6mH
- (2) 10~300kHz
- (3) -

**Features**

- SMD
- 1000pcs./Reel



H = 5.5 and 6.0 models also available

- (1) Inductance
- (2) Operational frequency
- (3) Power Capacity

C6-R1-4L

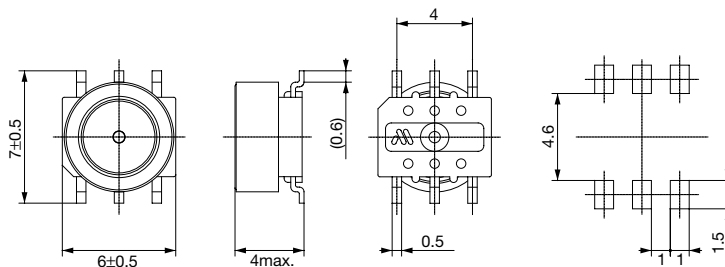


Specifications

- (1) -
- (2) 10~300kHz
- (3) 0.5W

Features

- SMD
- 1500pcs./Reel



C8-R1-4L



Specifications

- (1) -
- (2) 10~300kHz
- (3) 0.8W

Features

- SMD
- 1000pcs./Reel

