

Model NO.	BPHE005C301	Model Name	LED Driver
Part NO.	PLKBPHE005C301	SIZE	66.5 * 35 * 23.5 mm 【2.62 * 1.38 * 0.93 inch】



FEATURES

- ◆ AC Input 90~264Vac
- ◆ Protection: SCP / OTP / OVP
- ◆ High Operating ambient Temp: -20°C ~ +60°C
- ◆ Safety: UL / TUV
- ◆ EMC: CE
- ◆ Comply with Indoor/Outdoor Waterproof (IP 67)
- ◆ Dimension (mm): L*W*H: 66.5 * 35 * 23.5 mm
- ◆ Dimension (mm): L*W*H: 2.62 * 1.38 * 0.93 inch
- ◆ ROHS Compliant

Module : BPHE005C301

*,# =SEE NOTES BELOW

*(9)	MODEL	BPHE005C301		
		min.	norm.	max.
	SPECIFICATION			
	DC OUTPUT VOLTAGE (V)		18	
*	PRESET ACCURACY (%) *(8)		10	
*	OUTPUT CURRENT(A) *(5)	0.293	0.326	0.359
*	O/P NOISE (P-P, V) *(3)			0.25
*	LINE REGULATION (%) *(7)		10	
	LOAD REGULATION (%) *(6)		10	
	DC OUTPUT POWER		5.4 W	
	EFFICIENCY(typ @Full Load)		70%	
	TURN ON DELAY TIME, Softstart	3200ms,2000ms at full load 115VAC/230VAC		
	INPUT VOLTAGE RANGE	90-264VAC, 127-373VDC, Normal : 100-240VAC		
	INPUT FREQUENCY	Range:47-63Hz, Normal : 50-60Hz		
	INRUSH CURRENT (typ)	COLD START 30A @ 240VAC		
	AC CURRENT	0.2A/110VAC		
	LEAKAGE CURRENT	<0.7mA/264VAC		
	SHORT CIRCUIT PROTECTION	SCP, OTP, OVP will restart automatically after the fault condition is removed		
	OVER TEMP. PROTECTION			
	OVER V, PROTECTION			
*	OPERATING TEMP.*(4)	-20 to +60°C @full load		
	STORAGE TEMPERATURE	-40 to +80°C		
	RELATIVE HUMIDITY	10 to +95%		
	TEMP. COEFFICIENT	0.03% / °C (0-50°C, typ)		
	SAFETY	UL1310 / TUV EN 61347-2-13		
	EMI	CE EN55022		
	DIMENSIONS(L*W*H)	66.5 * 35 * 23.5 mm 【2.62 * 1.38 * 0.93 inch】		

NOTES : (1)All parameters not specially mentioned are measured 230VAC input.

(2)All specifications Typical @25°C, unless otherwise noted, at normal line and load.

(3)Ripple and Noise measured directly at pins/terminals at nom. load, @20MHz bandwidth.

(4)Specified for free-air convection cooling.

(5)Minimum load is NOT required for proper operation .

(6)Load regulation measured from 20% to Full load.

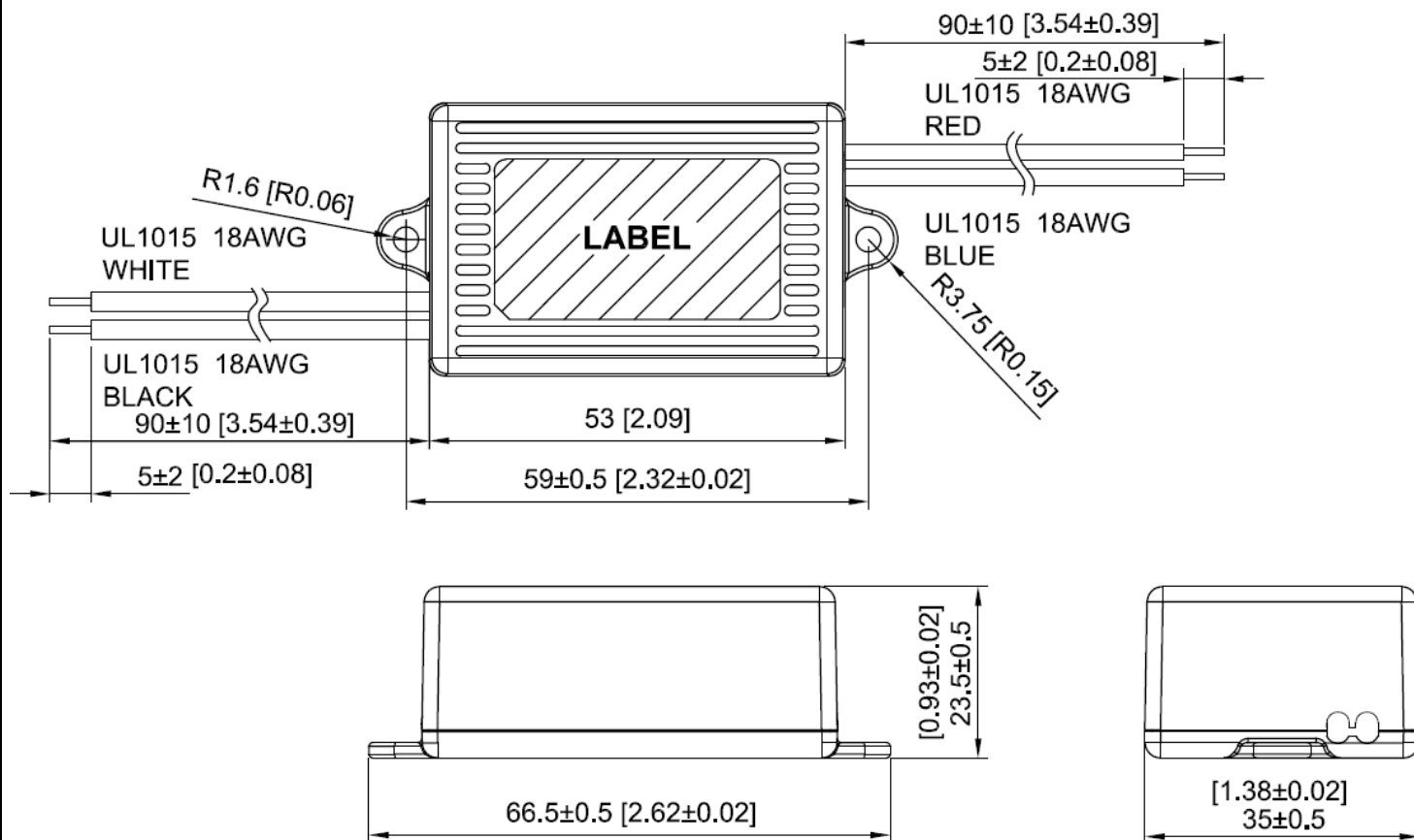
(7)Line regulation measured from 100VAC to 240VAC.

(8)Preset accuracy measured at normal load, 120VAC input.

(9)100% Production Tested.

Model NO.	BPHE005C301	Model Name	LED Driver
Part NO.	PLKBPHE005C301	SIZE	66.5 * 35 * 23.5 mm 【2.62 * 1.38 * 0.93 inch】

Dimensions



Unit : mm 【inch】

✘ Reference