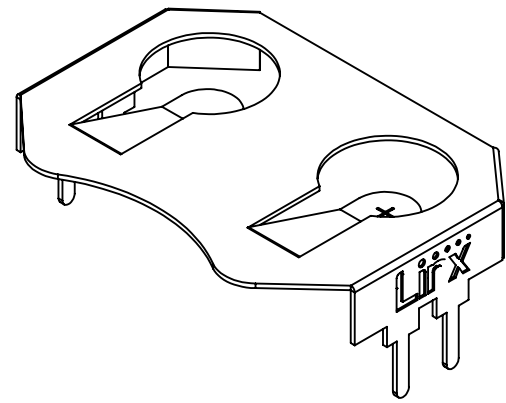
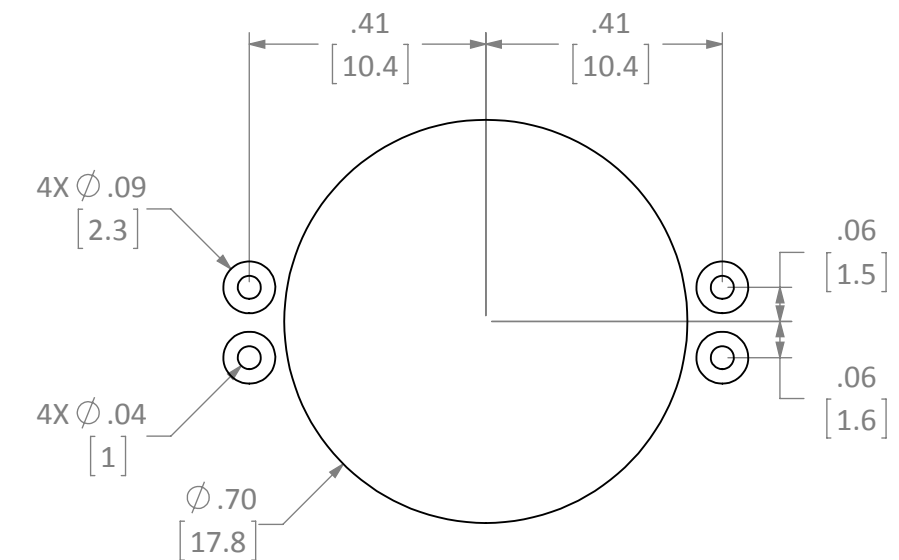
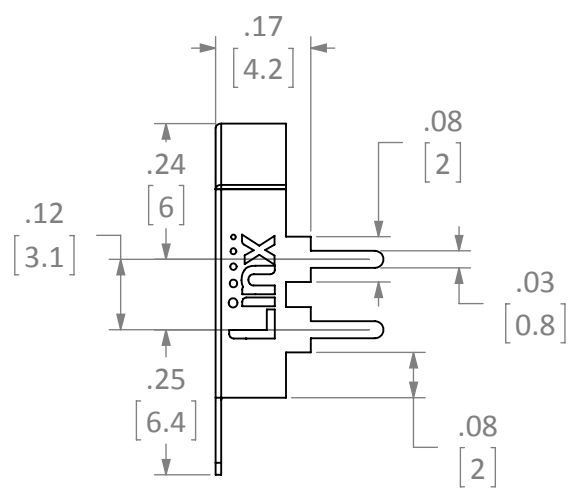
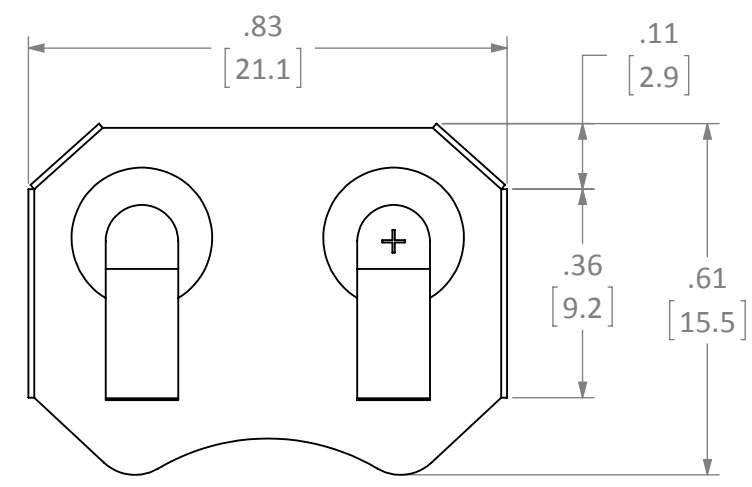


8 7 6 5 4 3 2 1

REVISIONS			
REV	DESCRIPTION	DATE	APPV
A	INITIAL RELEASE OF INTERNAL DOCUMENT	2-FEB-12	SAH



RECOMMENDED FOOTPRINT



- NOTES: (UNLESS OTHERWISE SPECIFIED)
1. ALL DIMENSIONS ARE IN INCHES [mm].
 2. DIMENSIONS APPLY AFTER FINISHING.
 3. MANUFACTURE TO BE COMPLIANT WITH EU RoHS DIRECTIVE.
 4. SAFETY BREAK ALL SHARP CORNERS AND EDGES .02 MAXIMUM.

WARNING: THIS DRAWING CONTAINS PROPRIETARY INFORMATION THAT IS THE SOLE PROPERTY OF LINX TECHNOLOGIES, AND SHALL BE TREATED AS SUCH. NO DISCLOSURE OR REPRODUCTION OF THIS DOCUMENT IS PERMITTED, IN WHOLE OR IN PART, WITHOUT THE EXPRESS WRITTEN PERMISSION OF LINX TECHNOLOGIES OR ITS DESIGNATED AGENTS.		Linx 159 ORT LANE MERLIN, OR 97532	
MATERIAL: PHOSPHOR BRONZE #C-5191		TITLE: BATTERY HOLDER OUTLINE CR2032,CR2025 THROUGH HOLE MOUNT	
FINISH: NICKEL PLATE		SIZE DWG. NO. REV B BAT-HLD-001-THM-OTL A	
INTERPRET DIMENSIONS AND TOLERANCES PER ASME Y14.5. SURFACE FINISH: $\sqrt{32}$ ANGLES: $\pm 1^\circ$ TOLERANCES: .X $\pm .1$.XX $\pm .01$.XXX $\pm .005$		SCALE: 3:1 DO NOT SCALE DRAWING SHEET 1 OF 1	
DRAWN: B.MURPHY DT: 2-FEB-12 ENGR: S.HOGAN DT: 2-FEB-12		LDCDFB_C	

8 7 6 5 4 3 2 1