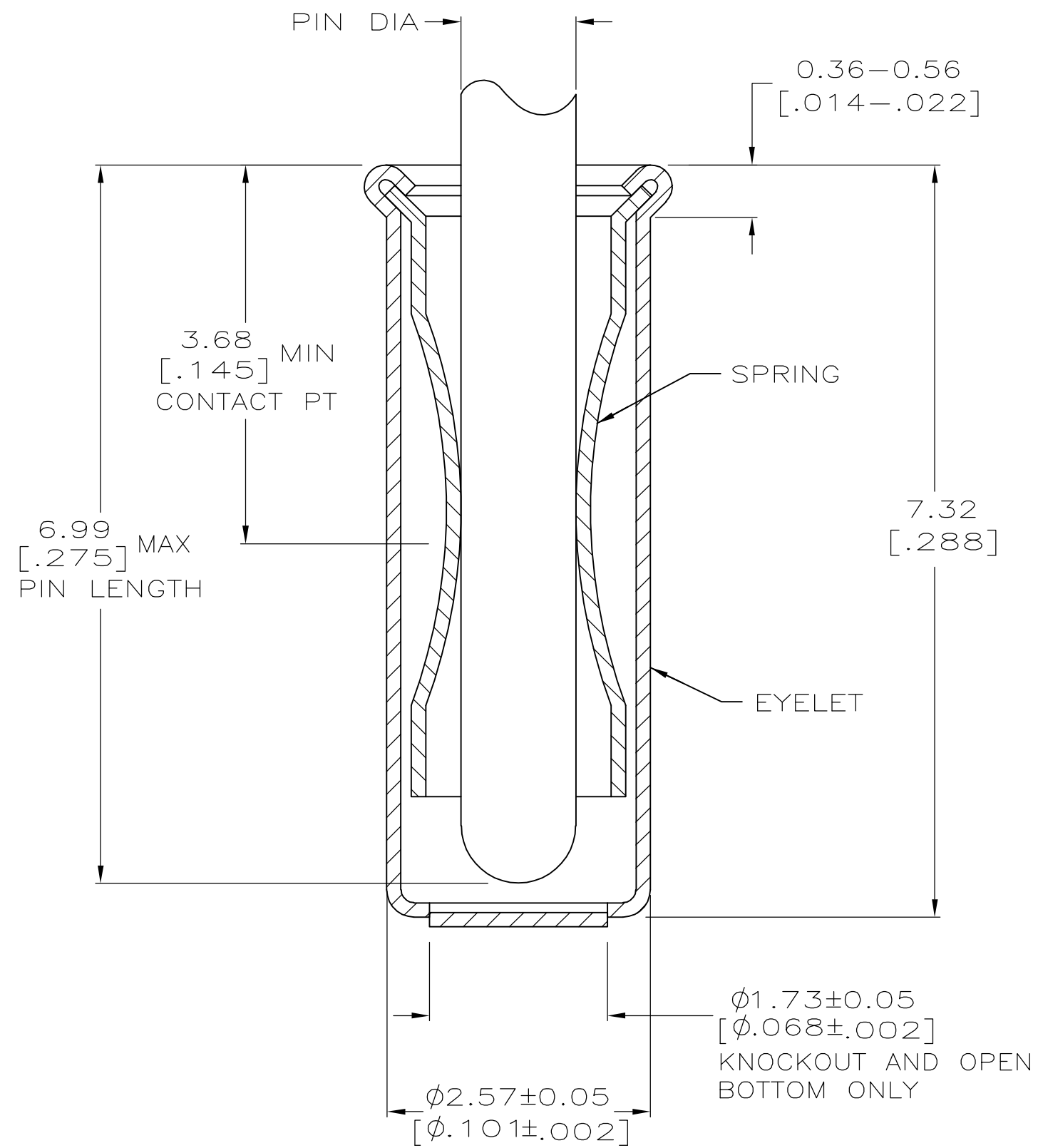
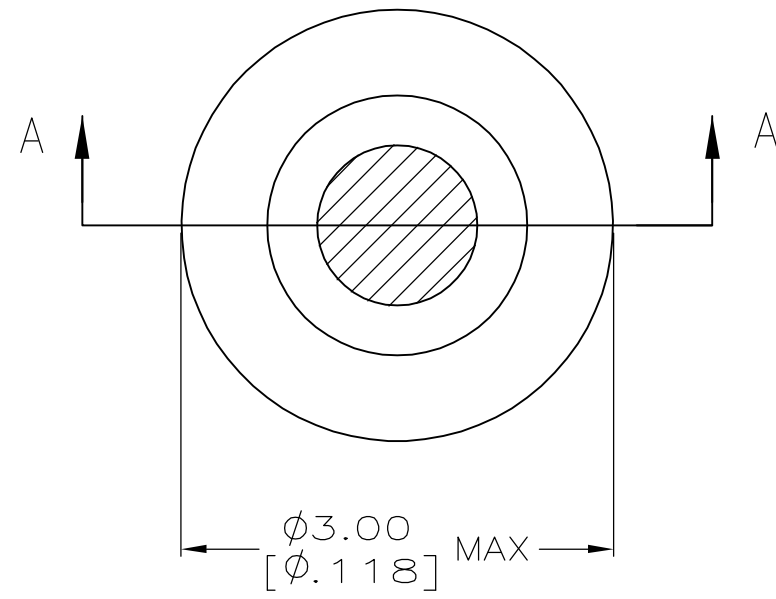


THIS DRAWING IS UNPUBLISHED. RELEASED FOR PUBLICATION
 © COPYRIGHT BY TYCO ELECTRONICS CORPORATION. ALL RIGHTS RESERVED.

LOC	DIST	REVISIONS 11-11-94 RT		
GP	00	P	LTR	DESCRIPTION
		A		REVISED PER EC-0511-0086-05.
			DATE	OWN
			26SEP2005	JGH
			APVD	JGH



SECTION A-A

- ① TIN PLATE PER ASTM B 545 .0.00254 [.000100] MIN THICK.
- ② GOLD PER ASTM B 488, 0.00076 [.000030] MIN THICK OVER NICKEL PLATE PER QQ-N-290 0.00028 [.000011] MIN THICK ON CONTACT AREA.
- 3. RECOMMENDED HOLE SIZE, PLATED OR UNPLATED:
 MACHINE INSERTION: 2.56±0.08 [.101±.003]
 HAND INSERTION: 2.62^{+0.10}_{-0.00} [.103^{+0.004}_{-.000}]
- 4. APPLICATION TOOL PART NUMBER:
 MACHINE NO. 682127-6
 INSERTION HEAD NO. 682039-5
- ⑤ TO INSURE PROPER SPRING TENSION DO NOT EXCEED A 0.05 [.002] DIFFERENCE IN PIN DIA WHEN CHANGING TO A SMALLER PIN.
- 6. BOTTOM PLUG KNOCKOUT TOOL PART NUMBER 69729 WITH TIP PART NUMBER 69728-3.
- ⑦ MATERIAL: SPRING: BERYLLIUM COPPER PER ASTM B 194
 EYELET: COPPER PER ASTM B 152

OPEN		TIN	①	2-5050871-4		
CLOSED	1.42-1.65 [.056-.065]	TIN	①	2-5050871-3		
KNOCKOUT				GOLD	②	2-5050871-1
						1-5050871-9
OPEN	1.27-1.45 [.050-.057]			1-5050871-0		
CLOSED		TIN	①	5050871-8		
OPEN	1.07-1.24 [.042-.049]			5050871-6		
CLOSED		GOLD	②	5050871-5		
OPEN				5050871-1		
BOTTOM TYPE	RECOMMENDED PIN DIA	EYELET	SPRING	PART NO		
		FINISH				

THIS DRAWING IS A CONTROLLED DOCUMENT.		DWN J. ALCORTA - DOCK5 20APR2005	Tyco Electronics Corporation Harrisburg, PA 17105-3608	
DIMENSIONS: mm [INCHES]		CHK J. HAVENER 20APR2005	NAME MINIATURE SPRING SOCKET ASSEMBLY SERIES 5	
TOLERANCES UNLESS OTHERWISE SPECIFIED:		APVD J. HAVENER 20APR2005	PRODUCT SPEC	RESTRICTED TO
0 PLC	± -	APPLICATION SPEC	SIZE	A2
1 PLC	± -		CAGE CODE	00779
2 PLC	± -		DRAWING NO	5050871
3 PLC	± 0.20 [.008]		SCALE	20:1
4 PLC	± -		SHEET	1 of 1
ANGLES	± -		REV	A
MATERIAL	⑦	FINISH	SEE TABLE	
CUSTOMER DRAWING				