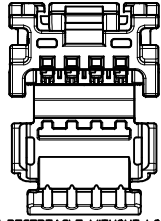
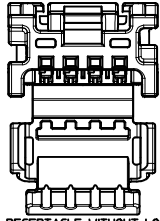


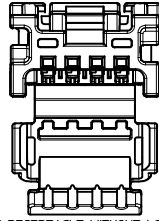
4 CIRCUIT RECEPTACLE WITHOUT LOCK BRIDGE
POLARIZATION OPTION A



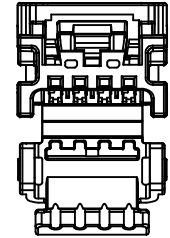
4 CIRCUIT RECEPTACLE WITHOUT LOCK BRIDGE
POLARIZATION OPTION B



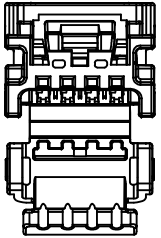
4 CIRCUIT RECEPTACLE WITHOUT LOCK BRIDGE
POLARIZATION OPTION C



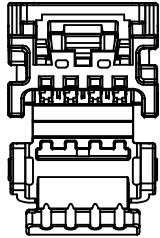
4 CIRCUIT RECEPTACLE WITHOUT LOCK BRIDGE
POLARIZATION OPTION D



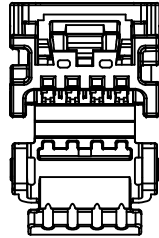
4 CIRCUIT RECEPTACLE BRIDGED
POLARIZATION OPTION A



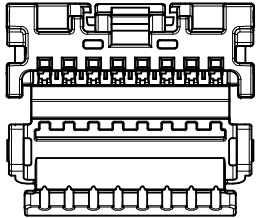
4 CIRCUIT RECEPTACLE BRIDGED
POLARIZATION OPTION B



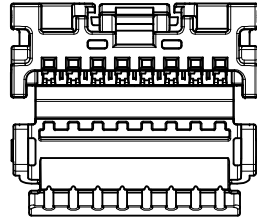
4 CIRCUIT RECEPTACLE BRIDGED
POLARIZATION OPTION C



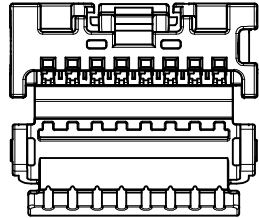
4 CIRCUIT RECEPTACLE BRIDGED
POLARIZATION OPTION D



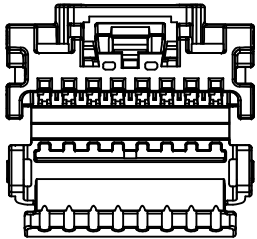
8 CIRCUIT RECEPTACLE WITHOUT LOCK BRIDGE
POLARIZATION OPTION A



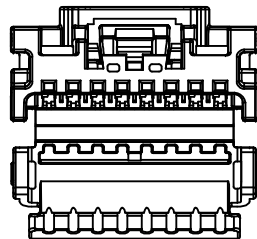
8 CIRCUIT RECEPTACLE WITHOUT LOCK BRIDGE
POLARIZATION OPTION B



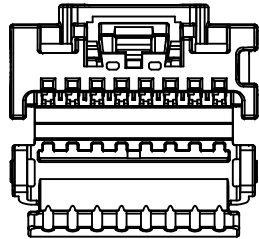
8 CIRCUIT RECEPTACLE WITHOUT LOCK BRIDGE
POLARIZATION OPTION C



8 CIRCUIT RECEPTACLE BRIDGED
POLARIZATION OPTION A



8 CIRCUIT RECEPTACLE BRIDGED
POLARIZATION OPTION B



8 CIRCUIT RECEPTACLE BRIDGED
POLARIZATION OPTION C

NOTES: VALID UNLESS OTHERWISE SPECIFIED

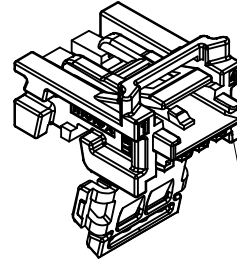
1. GENERAL:
 - a. APPLICATION SPECIFICATION SEE: AS-34791-020
 - b. PRODUCT SPECIFICATION SEE: PS-34971-020
 - c. PACKAGING SPECIFICATION PER MOLEX DRAWING: PK-31301-538
 - d. PARTS MUST BE IN COMPLIANCE TO MOLEX CHEMICAL SUBSTANCES FOR PRODUCTS AND PACKAGING SPECIFICATION: PS-40000-5015
 - e. DATA MUST BE SUBMITTED UNDER THE MOLEX PART NUMBER TO IMDS (COMPANY ID=13255)
 - f. FLAMMABILITY REQUIREMENT: PER ISO3795 OR GM3191
 1. BURN RATE 100 mm/MIN MAXIMUM
 2. MATERIAL MUST BE SELF EXTINGUISHING
 - g. VISUAL DEFECTS SHALL MEET COSMETIC STANDARD PS-45499-002 (Class B)
 - h. FOR TERMINAL USAGE, REFER TO MOLEX SALES DRAWING SD-560023-002.
2. DESIGN - MATERIALS:
 - a. MATERIAL: UNFILLED PBT
3. DESIGN - GEOMETRY:
 - a. THIS IS A 100% CAD GENERATED PART. THE CAD MATHEMATICAL DATA IS THE MASTER FOR THIS PART. FOR DIMENSIONAL OR ANY INFORMATION NOT SHOWN ON THIS DRAWING, ANALYZE THE CAD MODEL.
 - b. GEOMETRIC DIMENSIONS AND TOLERANCES PER ASME Y14.5M - 1994
 - c. GENERAL TOLERANCES:
 - LINEAR: PER DIN 16901 CODE B FOR PRECISION ENGINEERING
 - ANGULAR: ±3°
 - d. EDGES AND UNDIMENSIONED DETAILS PER ISO13715
 - e. CORNERS SHOWN AS SHARP TO BE R 0.2 MAX
 - f. LETTERING SHALL BE 0.1 MAX RAISED IN 0.15 MAX RECESS PAD AND NOT PROTRUDE THE SURFACE. THIS INCLUDES RECYCLING CODE, PLANT AND CAVITY ID, VENDOR ID, CIRCUIT ID, AND PART SERIES NUMBER.
4. DESIGN - FUNCTIONALITY
 - a. HINGE DOES NOT AFFECT FUNCTION OF THE PART.

HINGE OPEN

4 CIRCUIT RECEPTACLE SHOWN
(AS SHIPPED)

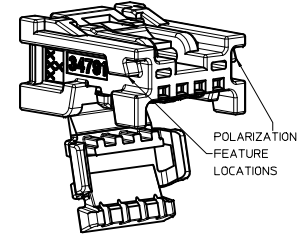
HINGE CLOSED

4 CIRCUIT RECEPTACLE SHOWN
(AS ASSEMBLED)



MINISO WITH BRIDGE OPTION
COMES WITH CPA TRAY

*REFER TO SD-34824-003 FOR
CPA-RECEPTACLE ASSEMBLIES



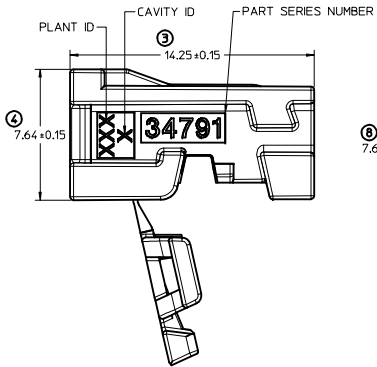
LAST BALLOON ON DRAWING:
②
DELETED BALLOONS:

DARK GRAY POL C EC NO: UAU2014-1166 DRAWN BY: JDUANJ CHYK: BDI CK APPR: RBALMAN 2014/01/20 2014/01/22	QUALITY SYMBOLS	GENERAL TOLERANCES (UNLESS SPECIFIED)	DIMENSION STYLE	SCALE	DESIGN UNITS	THIRD ANGLE PROJECTION
	▽=0	mm INCH	MM ONLY	6:1	METRIC	☉
	▽=0	4 PLACES ± --- ± ---				
	▽=0	3 PLACES ± --- ± ---				
		ANGULAR ± ---°				
		DRAFT WHERE APPLICABLE MUST REMAIN WITHIN DIMENSIONS	MATERIAL NO.	DOCUMENT NO.	SHEET NO.	
			SEE TABLE	SD-34791-001	1 OF 4	
			THIS DRAWING CONTAINS INFORMATION THAT IS PROPRIETARY TO MOLEX INCORPORATED AND SHOULD NOT BE USED WITHOUT WRITTEN PERMISSION			

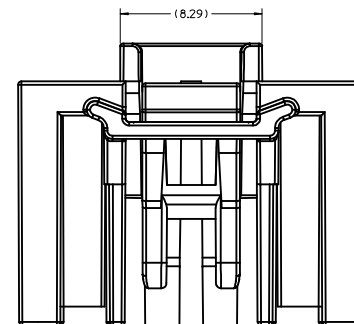
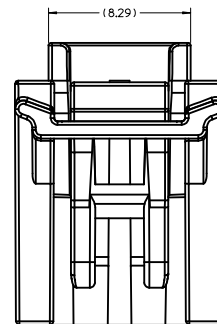
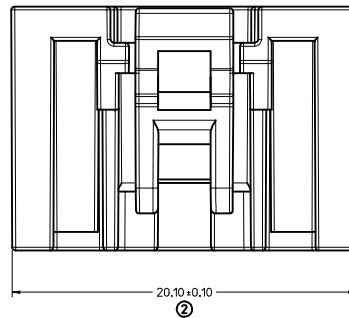
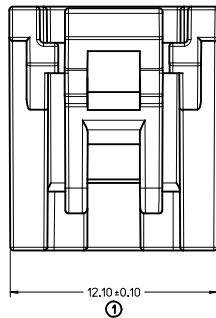
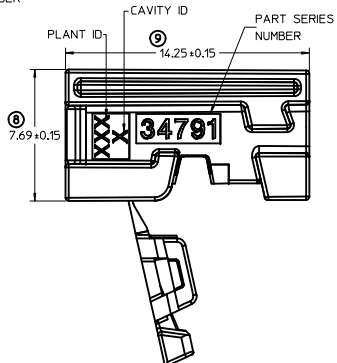
MINISO SINGLE ROW
RECEPTACLE
SALES DRAWING

molex

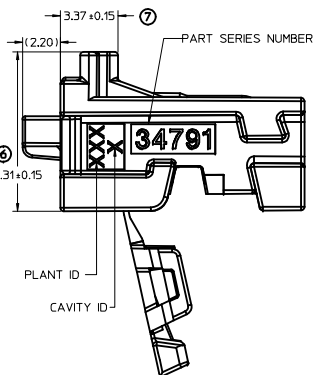
(NON-BRIDGED 4 CKT OPTION SHOWN BELOW)



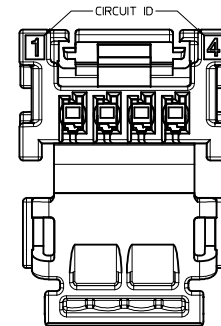
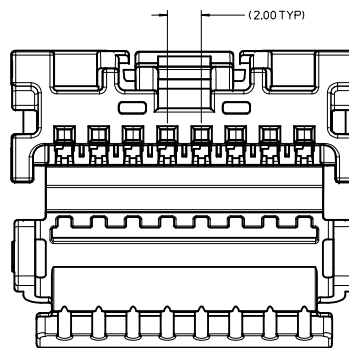
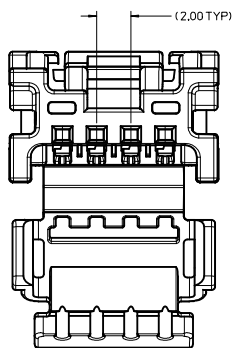
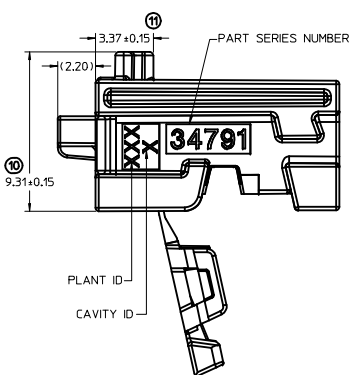
(NON-BRIDGED 8 CKT OPTION SHOWN BELOW)



(BRIDGED 4 CKT OPTION SHOWN BELOW)

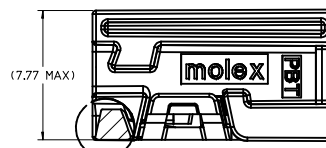
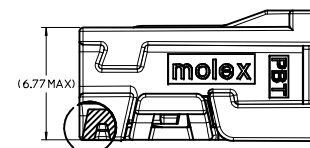
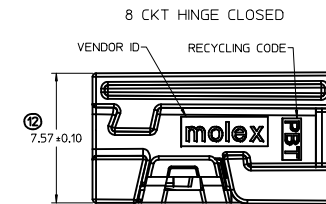
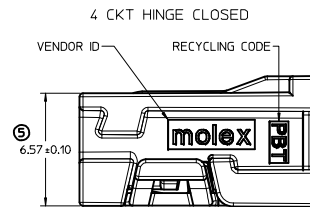
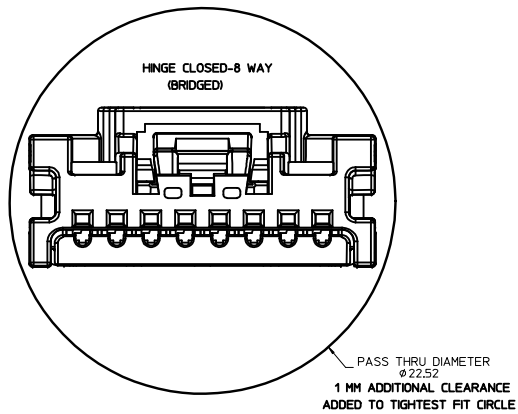
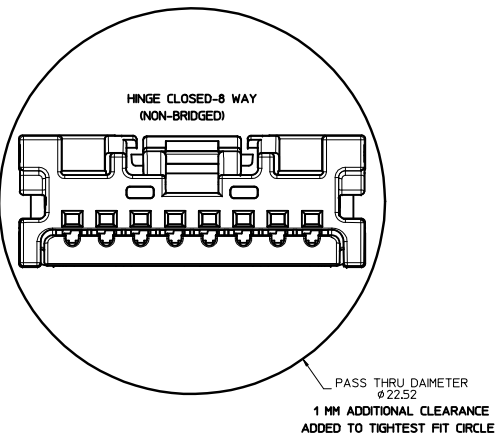
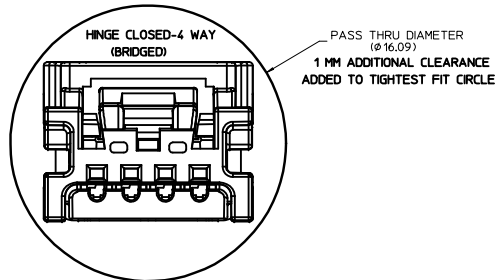
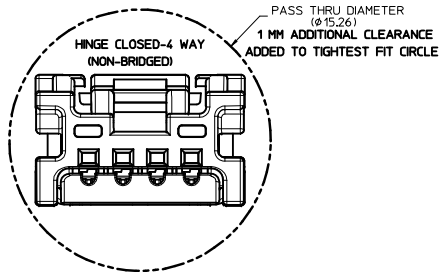


(BRIDGED 8 CKT OPTION SHOWN BELOW)



4 CKT RECEPTACLE SHOWN BELOW.
8 CKT RECEPTACLE HAS SIMILAR
CIRCUIT ID LOCATION.

DARK GRAY POL C EC NO: UAU2014-1166 DRAWN: MACHUGA 2014/01/20 CHKD: APPR: BRALMAN 2014/01/22	QUALITY SYMBOLS ∇=0 ∇=0 ∇=0	GENERAL TOLERANCES (UNLESS SPECIFIED)		DIMENSION STYLE MM ONLY	SCALE 7:1	DESIGN UNITS METRIC	THIRD ANGLE PROJECTION		
		4 PLACES ± --- ± --- 3 PLACES ± --- ± --- 2 PLACES ± --- ± --- 1 PLACE ± --- ± ---	mm INCH	DRAWN BY JDUNAJ DATE 2010/06/24	CHECKED BY BDI CK DATE 2010/06/24	TITLE MINISO SINGLE ROW RECEPTACLE SALES DRAWING			
		ANGULAR ± ---°		APPROVED BY SMARCEAU DATE 2011/11/21	MATERIAL NO. SEE TABLE		DOCUMENT NO. SD-34791-001	SHEET NO. 2 OF 4	
		DRAFT WHERE APPLICABLE MUST REMAIN WITHIN DIMENSIONS		THIS DRAWING CONTAINS INFORMATION THAT IS PROPRIETARY TO MOLEX INCORPORATED AND SHOULD NOT BE USED WITHOUT WRITTEN PERMISSION					



CUTAWAY SHOWING LOWEST POINT ASSEMBLED HINGE

CUTAWAY SHOWING LOWEST POINT ASSEMBLED HINGE

DARK GRAY POL C EC NO: UAU2014-1166 DRAWN: TMACHUCA 2014/01/20 CHKD: APPR: RBALWAN 2014/01/22	QUALITY SYMBOLS	GENERAL TOLERANCES (UNLESS SPECIFIED)	DIMENSION STYLE	SCALE	DESIGN UNITS	THIRD ANGLE PROJECTION
	▽=0	mm INCH	MM ONLY	10:1	METRIC	⊕
	▽=0	4 PLACES #--- #--- 3 PLACES #--- #--- 2 PLACES #--- #--- 1 PLACE #--- #--- 0 PLACE #	DRAWN BY DATE JDUNAJ 2010/06/24	TITLE		
	▽=0	ANGULAR ±---° DRAFT WHERE APPLICABLE MUST REMAIN WITHIN DIMENSIONS	CHECKED BY DATE BDICK 2010/06/24	MINI50 SINGLE ROW RECEPTACLE SALES DRAWING		
REV	DESCRIPTION	MATERIAL NO.	APPROVED BY DATE SMARCEAU 2011/11/21	SEE TABLE	DOCUMENT NO.	SHEET NO.
					SD-34791-001	3 OF 4
THIS DRAWING CONTAINS INFORMATION THAT IS PROPRIETARY TO MOLEX INCORPORATED AND SHOULD NOT BE USED WITHOUT WRITTEN PERMISSION						

MINI50 RECEPTACLES

MATERIAL NUMBER BULK PACKAGING PK-31301-538	LOCK BRIDGE OPTION	CONFIGURATION	CIRCUIT	POL	COLOR	MATING COMPONENT					
						SURFACE MOUNT TECHNOLOGY (SMT) HEADER		VERTICAL THRU HOLE HEADER		RIGHT ANGLE THRU HOLE HEADERS	
						TAPE AND REEL PACKAGING PK-31301-786	TUBE PACKAGING PK-31301-688	TRAY PACKAGING PK-31301-440	TUBE PACKAGING PK-31301-688	TRAY PACKAGING PK-31301-440	TUBE PACKAGING PK-31301-688
34791-0040	NO	USCAR COMPATIBLE	4	A	BLACK	34912-8040	34912-9040	34792-0040	34792-9040	34793-0040	34793-9040
34791-0041	NO	USCAR COMPATIBLE	4	B	GRAY	34912-8041	34912-9041	34792-0041	34792-9041	34793-0041	34793-9041
34791-0042	NO	USCAR COMPATIBLE	4	C	DARK GRAY	34912-8042	34912-9042	34792-0042	34792-9042	34793-0042	34793-9042
34791-0043	NO	USCAR COMPATIBLE	4	D	GREEN	34912-8043	34912-9043	34792-0043	34792-9043	34793-0043	34793-9043
34791-0080	NO	USCAR COMPATIBLE	8	A	BLACK	34912-8080	34912-9080	34792-0080	34792-9080	34793-0080	34793-9080
34791-0081	NO	USCAR COMPATIBLE	8	B	GRAY	34912-8081	34912-9081	34792-0081	34792-9081	34793-0081	34793-9081
34791-0082	NO	USCAR COMPATIBLE	8	C	DARK GRAY	34912-8082	34912-9082	34792-0082	34792-9082	34793-0082	34793-9082
34791-0140	YES	USCAR COMPATIBLE	4	A	BLACK	34912-8040	34912-9040	34792-0040	34792-9040	34793-0040	34793-9040
34791-0141	YES	USCAR COMPATIBLE	4	B	GRAY	34912-8041	34912-9041	34792-0041	34792-9041	34793-0041	34793-9041
34791-0142	YES	USCAR COMPATIBLE	4	C	DARK GRAY	34912-8042	34912-9042	34792-0042	34792-9042	34793-0042	34793-9042
34791-0143	YES	USCAR COMPATIBLE	4	D	GREEN	34912-8043	34912-9043	34792-0043	34792-9043	34793-0043	34793-9043
34791-0180	YES	USCAR COMPATIBLE	8	A	BLACK	34912-8080	34912-9080	34792-0080	34792-9080	34793-0080	34793-9080
34791-0181	YES	USCAR COMPATIBLE	8	B	GRAY	34912-8081	34912-9081	34792-0081	34792-9081	34793-0081	34793-9081
34791-0182	YES	USCAR COMPATIBLE	8	C	DARK GRAY	34912-8082	34912-9082	34792-0082	34792-9082	34793-0082	34793-9082

CTX50 UNSEALED RECEPTACLE TERMINALS

PART NUMBER		MATERIAL	WIRE GAGE (mm ²)	GRIP
D-WIND (LEFT PAYOFF)	B-WIND (RIGHT PAYOFF)			
560023-0421	560023-0423	COPPER ALLOY	0.22 - 0.35	MEDIUM
560023-0422	560023-0424	COPPER ALLOY	0.08 - 0.13	SMALL

DARK GRAY POL C DEC NO: JAU2014-1166 G DRAWN BY: MACHUGA 2014/01/20 CHYK: APPR: BRALMAN 2014/01/22 REV:	QUALITY SYMBOLS ▽=0 ▽=0 ▽=0	GENERAL TOLERANCES (UNLESS SPECIFIED) mm INCH 4 PLACES ±--- ±--- 3 PLACES ±--- ±--- 2 PLACES ±--- ±--- 1 PLACE ±--- ±--- 0 PLACE ±--- ±--- ANGULAR ±---° DRAFT WHERE APPLICABLE MUST REMAIN WITHIN DIMENSIONS	DIMENSION STYLE MM ONLY	SCALE 5:1	DESIGN UNITS METRIC	THIRD ANGLE PROJECTION	
	DRAWN BY: JDUNAJ DATE: 2010/06/24 CHECKED BY: BDLCK DATE: 2010/06/24 APPROVED BY: SMARCEAU DATE: 2011/11/21		TITLE MINI50 SINGLE ROW RECEPTACLE SALES DRAWING		MATERIAL NO. SEE TABLE		DOCUMENT NO. SD-34791-001
	SHEET NO. 4 OF 4		THIS DRAWING CONTAINS INFORMATION THAT IS PROPRIETARY TO MOLEX INCORPORATED AND SHOULD NOT BE USED WITHOUT WRITTEN PERMISSION				
	SIZE D						