

GENERAL CHARACTERISTICS AND ROHS INFORMATIONS:

SEE DRAWING C-8626-00FS

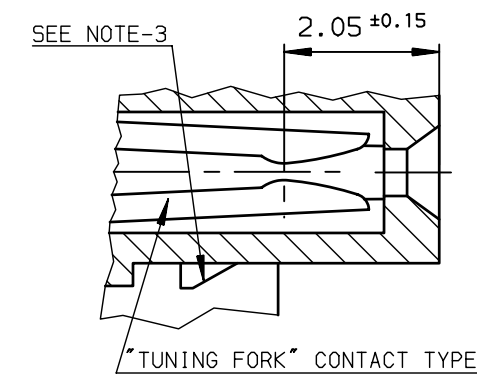
- NOTE-1: PRESS-IN RETENTION PEG
 - NOTE-2: PLUG FOR CODING KEY FIXING
 - NOTE-3: MOUNTING ON PCB, MANUAL OR WITH LITTLE STANDARD PRESS
 - NOTE-4: IF SUFFIX "P" IS ADDED PACKAGING IS TRAYS BUT MARKING WILL BE WITHOUT "P"
- Example P/N: HM1F41FAP000H6P, Marking HM1F41FAP000H6

SPECIFIC DATAS:

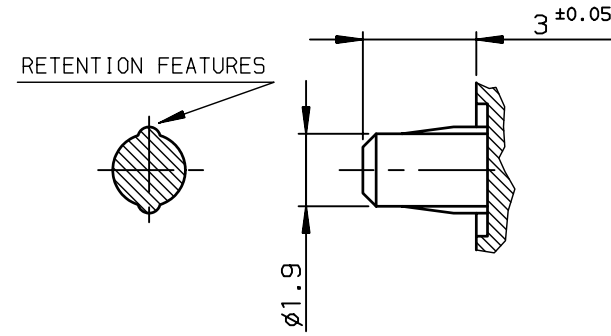
VISUAL INSPECTION: 100%

- marking failure
- housing material failure
- spoilt housing
- stained housing
- broken contacts (twisted or loosen)

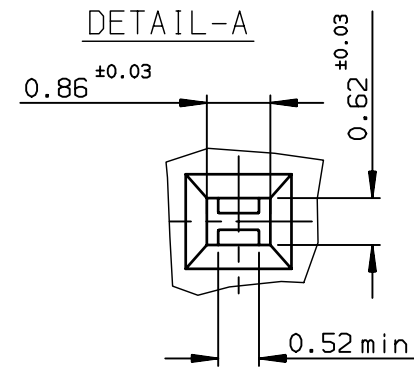
SECTION-FF



DETAIL OF PRESS-IN PEGS (SCALE 5:1)



DETAIL-A

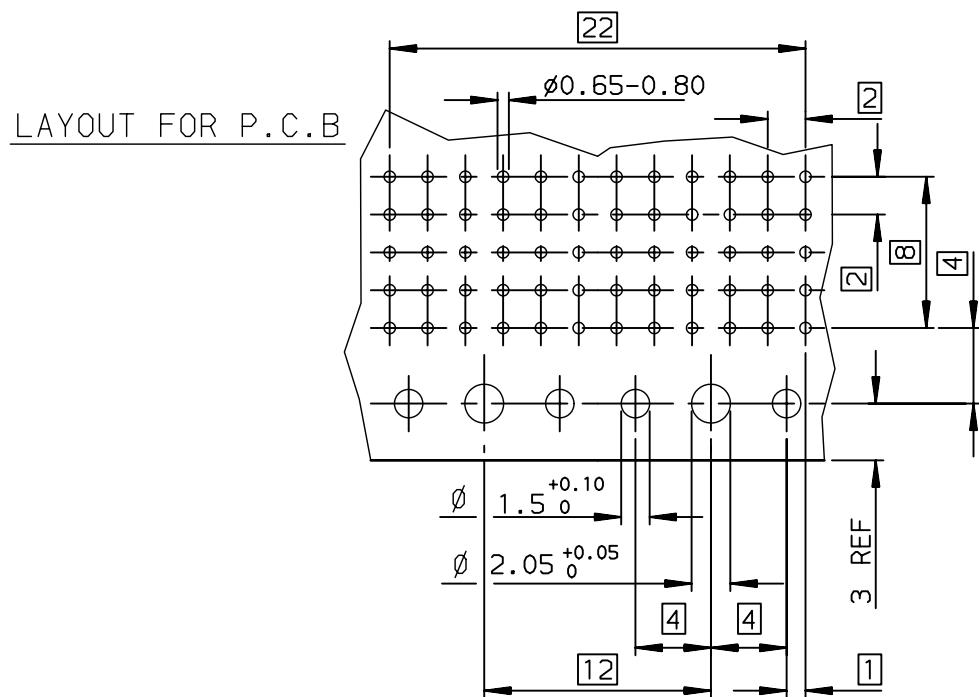
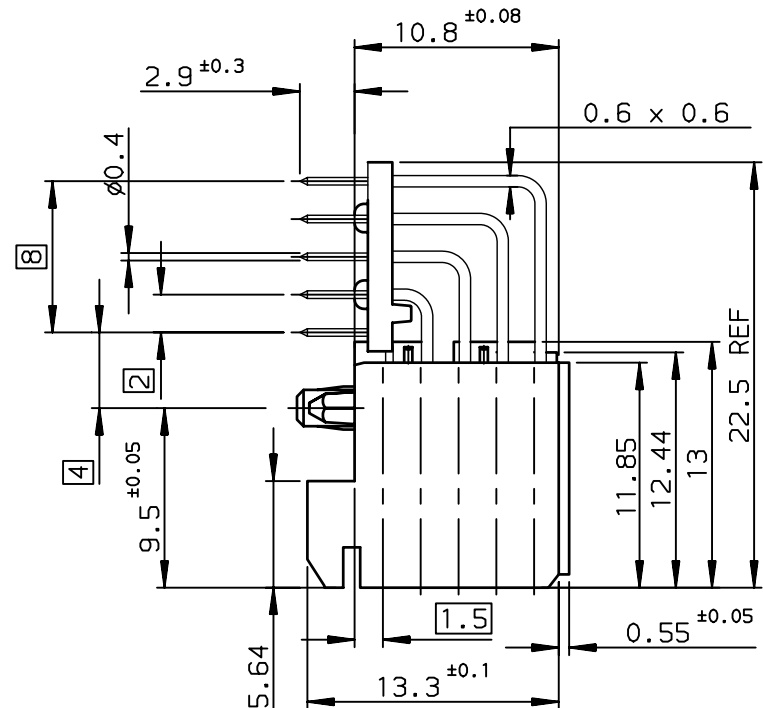
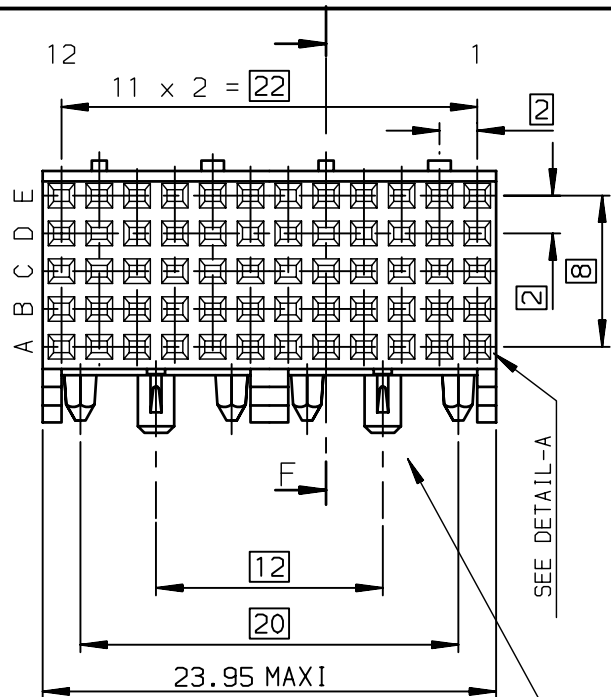


TIN LEAD PART NUMBER

Part number **HM1F52FAP400H6**

LEAD FREE PART NUMBER

Part number **HM1F52FAP400H6LF**



rev	ecn no	dr	date
A	-	-	-
B	LS05-001	MLE	2005/03/15
C	LS06-0095	LGO	2006/07/05
D	LS06-0182	MLE	2006/11/16

www.fciconnect.com		surface ISO 1302 ✓	tolerance std ISO 406 ISO 1101	projection mm
TOLERANCES UNLESS OTHERWISE SPECIFIED				
Dr	PERRICHOT	2001/01/30	ANGULAR	0.X ±0.1
Eng	LENOIR	2001/01/30	LINEAR	0.XX ±0.1
Chr	LEGARE	2001/01/30	0.XX' ±2'	0.XXX ±0.1
Appr	LEGARE	2001/01/30	Product family	METRAL
Title METRAL FEMALE 5 ROWS 60 CTS				size A3
Title RIGHT ANGLE SOLDER- (PRESS-IN PEGS)				Scale 2.5
catalog no				ECN LS06-0182
dwg no C-8626-11118				Spec ref -
Rev. D				sheet 1 of 1

Copyright FCI. FCI