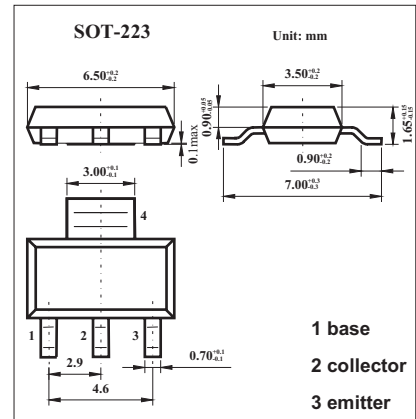


**BCP54; BCP55; BCP56**

■ Features

- High collector current
- 1.3 W power dissipation.



■ Absolute Maximum Ratings Ta = 25°C

Parameter	Symbol	Rating	Unit
collector-base voltage	BCP54	45	V
	BCP55	60	V
	BCP56	100	V
collector-emitter voltage	BCP54	45	V
	BCP55	60	V
	BCP56	80	V
emitter-base voltage	VEBO	5	V
collector current (DC)	Ic	1	A
peak collector current	ICM	1.5	A
peak base current	IBM	0.2	A
total power dissipation	Ptot	1.33	W
storage temperature	Tstg	-65 to +150	°C
junction temperature	Tj	150	°C
operating ambient temperature	Tamb	-65 to +150	°C
thermal resistance from junction to ambient	Rth j-a	94	K/W
thermal resistance from junction to soldering point	Rth j-s	13	K/W

## BCP54; BCP55; BCP56

■ Electrical Characteristics Ta = 25°C

Parameter	Symbol	Testconditions	Min	Typ	Max	Unit
collector cut-off current	ICBO	IE = 0 A; VCB = 30 V			100	nA
		IE = 0 A; VCB = 30 V; Tj = 150 °C			10	µA
emitter cut-off current	IEBO	IC = 0 A; VEB = 5 V			100	nA
DC current gain	hFE	IC = 5 mA; VCE = 2 V	63			
		IC = 150 mA; VCE = 2 V	63		250	
		IC = 500 mA; VCE = 2 V	40			
DC current gain BCP54-10; BCP55-10; BCP56-10 BCP54-16; BCP55-16; BCP56-16	hFE	VCE = 2 V; IC = 150 mA	63		160	
			100		250	
collector-emitter saturation voltage	VCEsat	IC = 0.5 A; IB = 50 mA			500	mV
base-emitter voltage	VBE	IC = 0.5 A; VCE = 2 V			1	V
transition frequency	fT	IC = 10 mA; VCE = 5 V; f = 100 MHz		130		MHz
DC current gain ratio of the complementary pairs	$\frac{h_{FE1}}{h_{FE2}}$	IC  = 150 mA;  VCE  = 2 V			1.6	