

**Thin Small Outline
Package
TSOP DIP Adapters**

**DIP ADAPTER
MODULES
ELIMINATE THE
NEED TO
REDESIGN
MOTHERBOARDS
OR MAY BE USED
FOR
BREADBOARD
PROTOTYPING**

DESCRIPTION

This new family of Accutek DIP Adapter Modules converts surface mount IC's to pin compatible DIP packages for creating drop-in replacements for end-of-life DIP IC's. Package types supported are: TSOP (Thin Small Outline Package).

These DIP Adapters were developed for users with motherboard designs that require DIP's, now obsolete by manufacturers. These adapter modules save costly motherboard redesigns.

Available with machined or flat contact pins. Accutek DIP Adapter Modules feature 8 to 56 pins, are fully assembled and tested and may include a decoupling capacitor. These DIP Adapters can be manufactured turnkey or from customer supplied surface mount IC's. Modules range in length from 0.400" to 2.800" depending on number of pins and incorporate 0.300", 0.600" and 0.900" row-to-row spacing with 0.100" lead spacing.

Custom configurations up to 200 pins, multi-chip and double sided modules are also available for special functions. A variety of pin lengths with varying diameters as well as custom sizes and spacing can be specified with different materials and finishes. All modules are designed in-house using PCB CAD workstations. Automated assembly and 100% testing are also performed in-house.

FEATURES

- Saves costly redesign of current motherboards
- Fully tested with lifetime limited warranty
- May include an on board decoupling capacitor
- IC assembly and testing available
- EPROM and Flash programming available
- Custom lead lengths available
- Custom multi-chip and double-sided modules available

ORDERING OPTIONS

- Adapter only
- Customer supplies chips - Accutek assembles on Accutek adapters, tests and delivers finished product in antistatic tubes.
- Complete turnkey - Accutek purchases IC's and passives. Then assembles, tests and delivers finished product in antistatic tubes.



5 NEW PASTURE ROAD
NEWBURYPORT, MA 01950-4040
PHONE: 978-465-6200 FAX: 978-462-3396
Email: sales@accutekmicro.com
Internet: www.accutekmicro.com

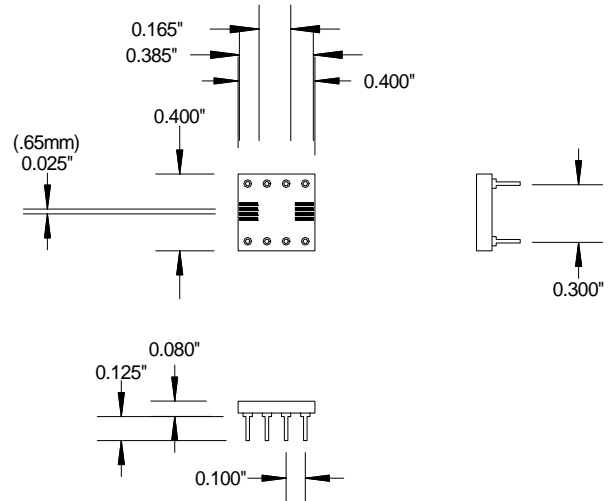
We can assemble your chips on to our adapter boards. Fully automated assembly and test at our Newburyport, Massachusetts facility.



No job to large or small.

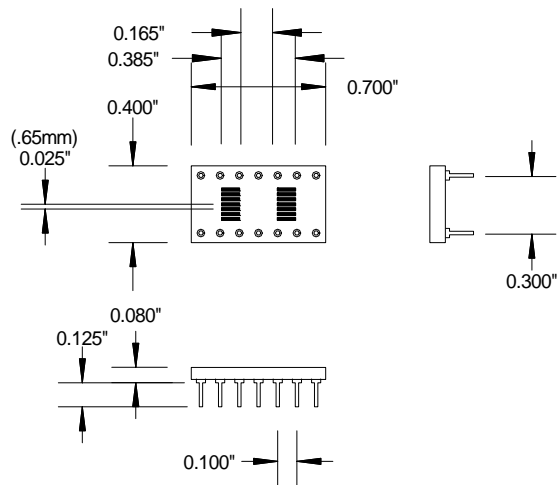
AK08D300-TSOP

8 PIN TSOP & SSOP TO DIP



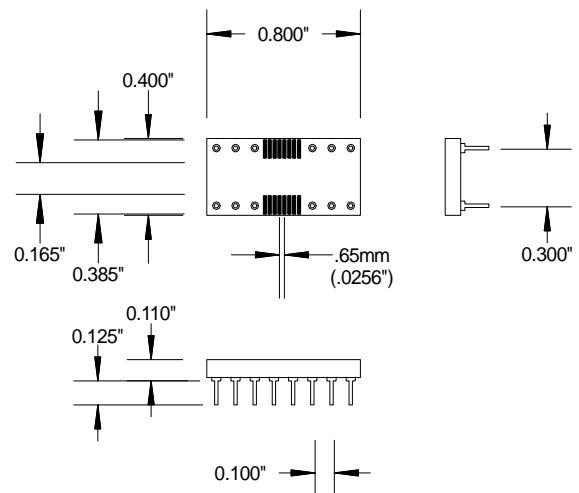
AK14D300-TSOP

14 PIN TSOP & SSOP TO DIP



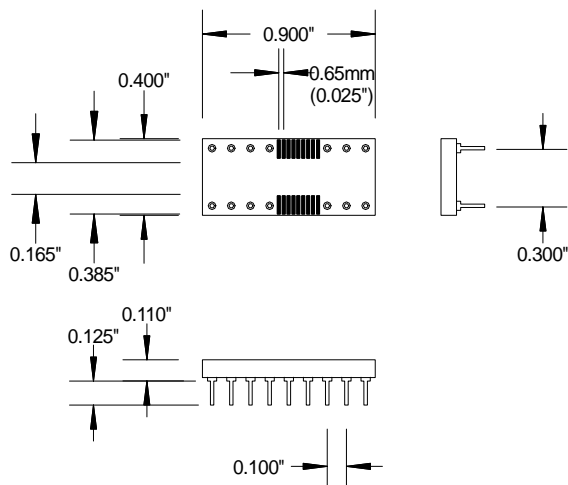
AK16D300-TSOP

16 PIN TSOP TO DIP



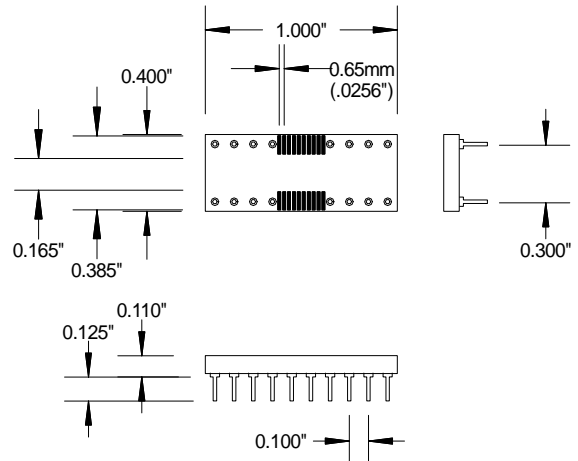
AK18D300-TSOP

18 PIN TSOP & SSOP TO DIP



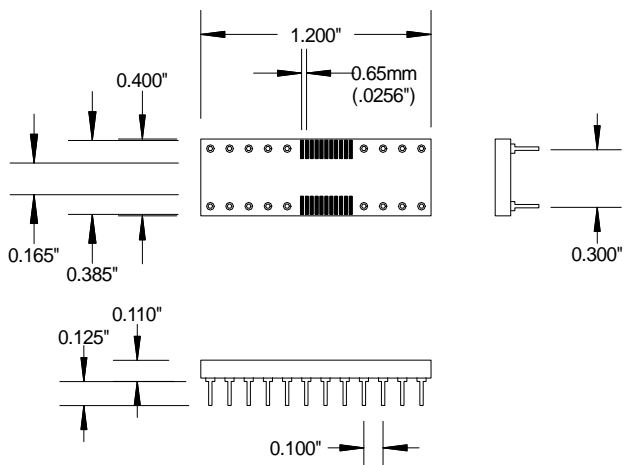
AK20D300-TSOP

20 PIN TSOP & SSOP .65mm PITCH TO DIP



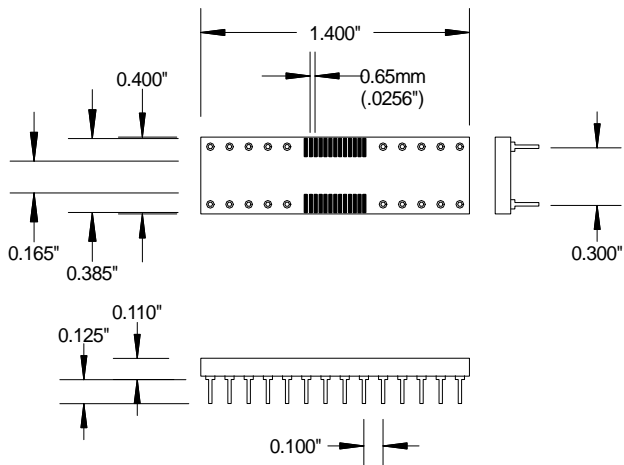
AK24D300-TSOP

24 PIN TSOP & SSOP 0.65mm PITCH TO DIP



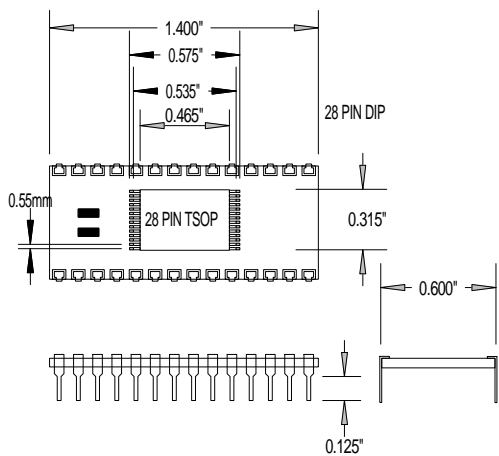
AK28D300-TSOP

28 PIN TSOP & SSOP 0.65mm PITCH TO DIP



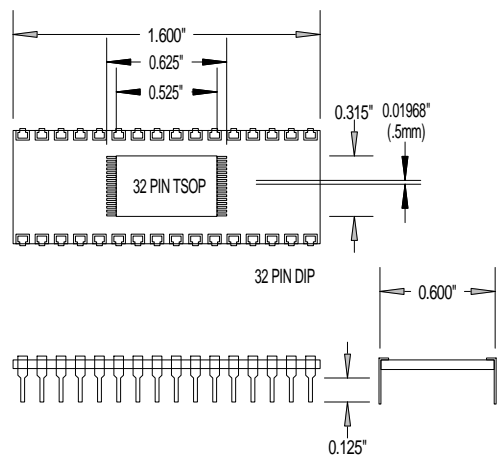
AK28D600-TSOP

28 PIN TYPE 1 TSOP TO DIP



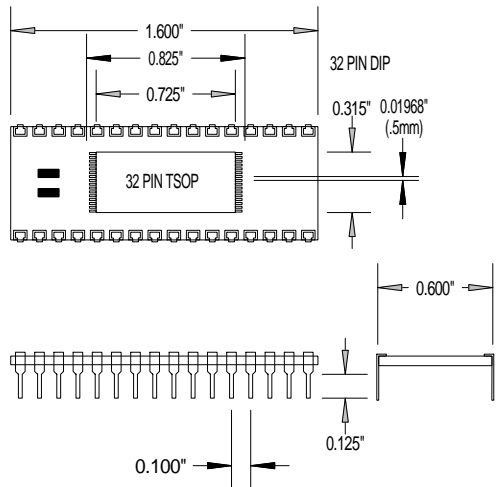
AK32D600-NTSOP

32 PIN TYPE 1 NARROW TSOP TO DIP



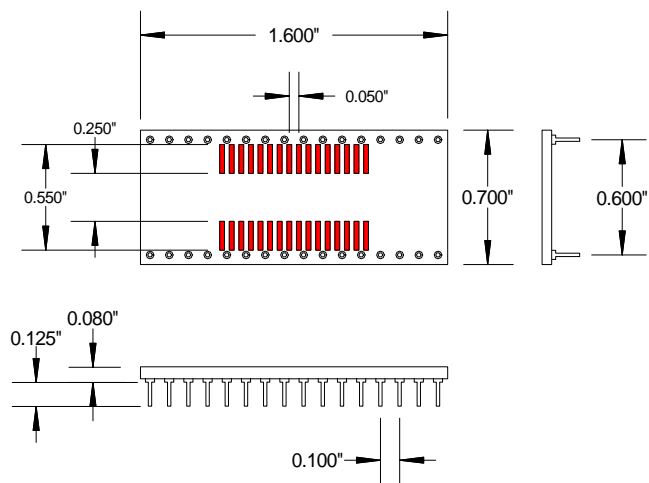
AK32D600-TSOP

32PIN TYPE 1 WIDE TSOP TO DIP



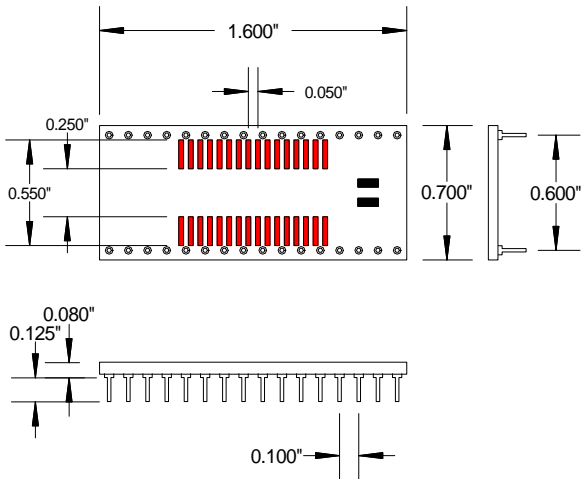
AK32D600-TY2TSOP-G

32 PIN TYPE 2 TSOP TO DIP



AK32D600-TY2TSOP-SRAM

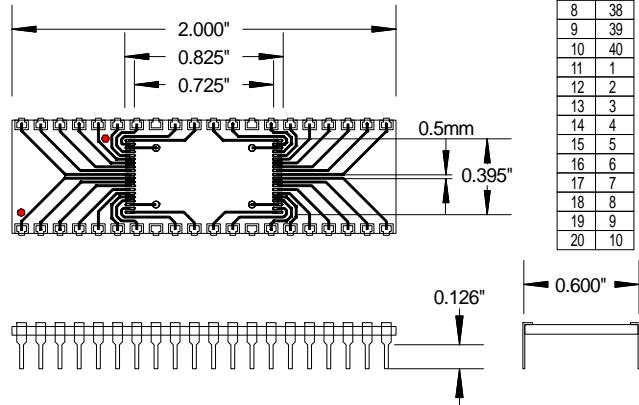
32 PIN TYPE 2 TSOP TO DIP
FOR 512K x 8 SRAM



AK40D600-TSOP 40 PIN TSOP TO DIP FOR FLASH CHIPS

PIN CONNECTION

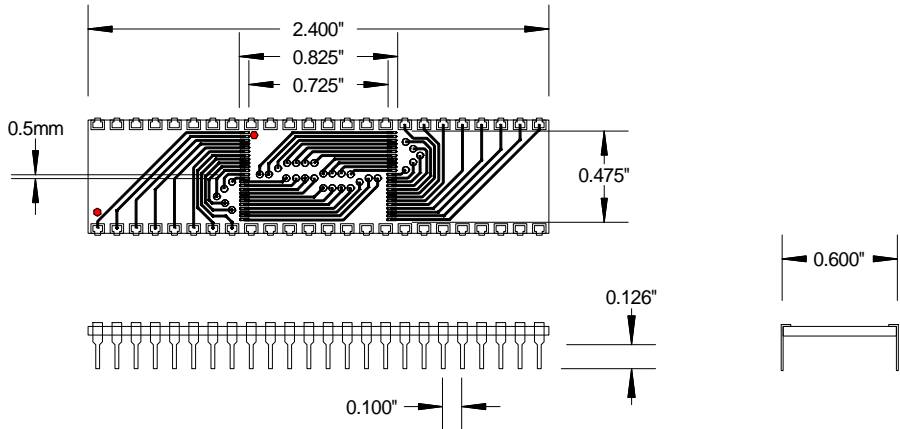
TSOP	DIP	TSOP	DIP
1	31	21	11
2	32	22	12
3	33	23	13
4	34	24	14
5	35	25	15
6	36	26	16
7	37	27	17
8	38	28	18
9	39	29	19
10	40	30	20
11	1	31	21
12	2	32	22
13	3	33	23
14	4	34	24
15	5	35	25
16	6	36	26
17	7	37	27
18	8	38	28
19	9	39	29
20	10	40	30



AK48D600-TSOP 48 PIN TSOP TO DIP FOR FLASH CHIPS

PIN CONNECTION

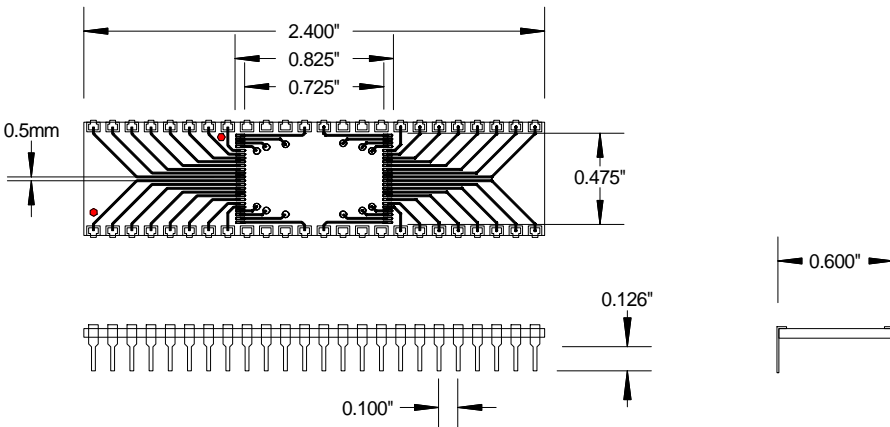
TSOP	DIP	TSOP	DIP
1	1	25	25
2	2	26	26
3	3	27	27
4	4	28	28
5	5	29	29
6	6	30	30
7	7	31	31
8	8	32	32
9	9	33	33
10	10	34	34
11	11	35	35
12	12	36	36
13	13	37	37
14	14	38	38
15	15	39	39
16	16	40	40
17	17	41	41
18	18	42	42
19	19	43	43
20	20	44	44
21	21	45	45
22	22	46	46
23	23	47	47
24	24	48	48



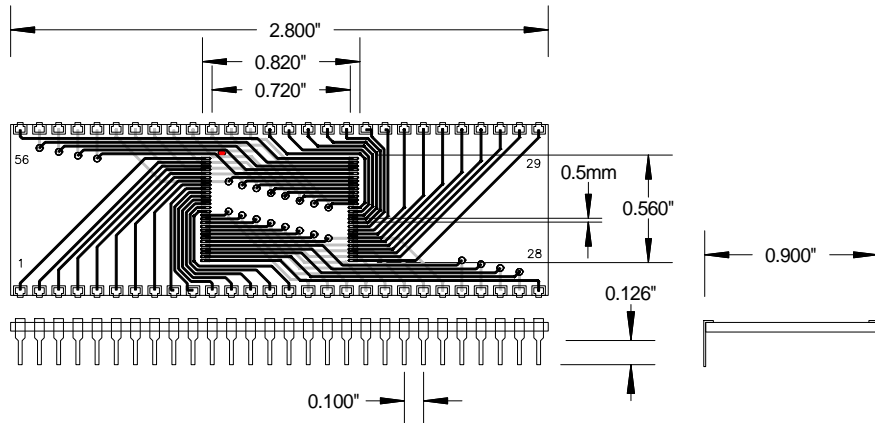
AK48D600-TSOP-2 48 PIN TSOP TO DIP FOR FLASH CHIPS

PIN CONNECTION

TSOP	DIP	TSOP	DIP
1	37	25	13
2	38	26	14
3	39	27	15
4	40	28	16
5	41	29	17
6	42	30	18
7	43	31	19
8	44	32	20
9	45	33	21
10	46	34	22
11	47	35	23
12	48	36	24
13	1	37	25
14	2	38	26
15	3	39	27
16	4	40	28
17	5	41	29
18	6	42	30
19	7	43	31
20	8	44	32
21	9	45	33
22	10	46	34
23	11	47	35
24	12	48	36



AK56D900-TSOP14x20.5mm
 56 PIN .5MM PITCH TSOP
 TO 56 PIN DIP



PIN CONNECTION

TSOP	DIP	TSOP	DIP
1	1	29	29
2	2	30	30
3	3	31	31
4	4	32	32
5	5	33	33
6	6	34	34
7	7	35	35
8	8	36	36
9	9	37	37
10	10	38	38
11	11	39	39
12	12	40	40
13	13	41	41
14	14	42	42
15	15	43	43
16	16	44	44
17	17	45	45
18	18	46	46
19	19	47	47
20	20	48	48
21	21	49	49
22	22	50	50
23	23	51	51
24	24	52	52
25	25	53	53
26	26	54	54
27	27	55	55
28	28	56	56