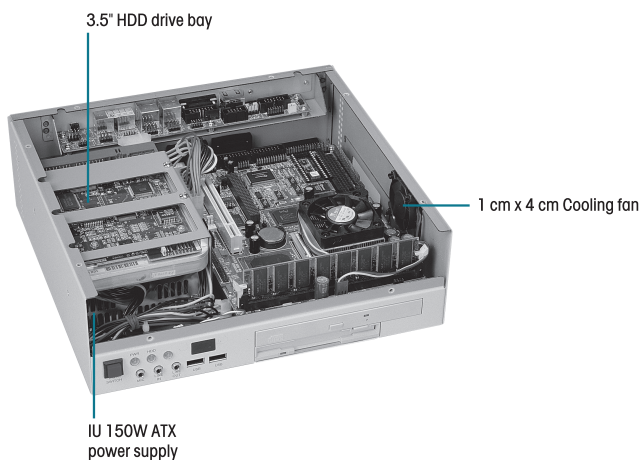
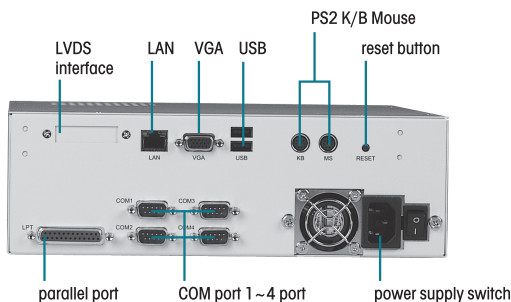
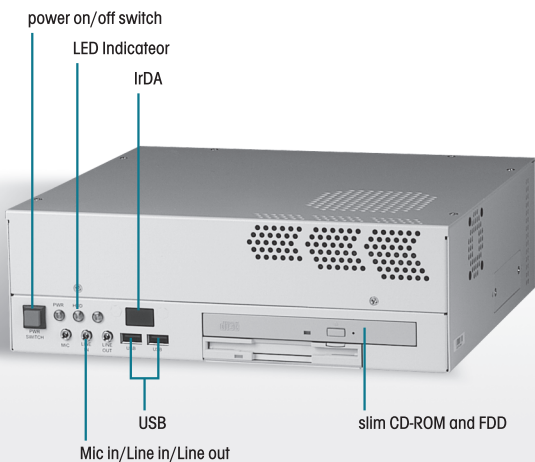


AEC-6200

The Power That Solves

Mini Embedded Control PC for 5.25" Compact Boards



Features

- Compact size : 10.55"(W) X 3.38" (H) X 9.84" (D)
- Supports AAEON high performance Compact Boards including PCM-4896/L, PCM-6890B, PCM-6896 and PCM-6897/L
- Supports front accessible slim CD-ROM and FDD drive and one internal 3.5" disk drive
- Equipped with a 1U 150W ATX power supply and single ball bearing cooling fan (flow-out) for heat dissipation
- Special modular design allows users to maintain the system with minimum down time

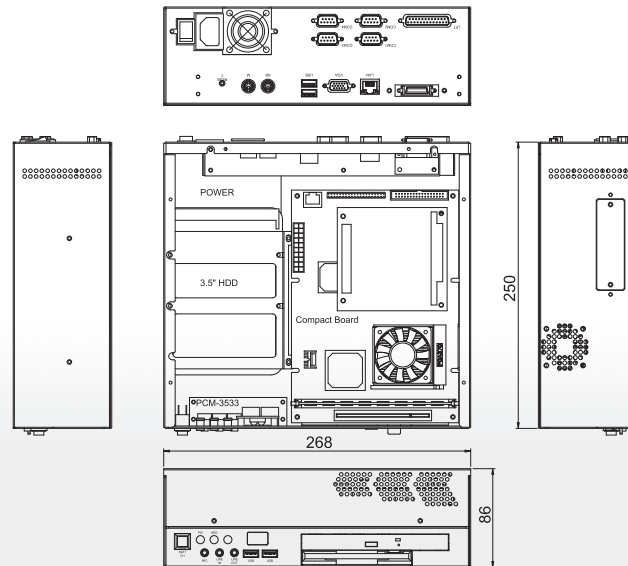


Specifications

Drive Bay	Slim CD-ROM and FDD (front accessible) 3.5" HDD Bay x 1 (Internal)
System Fan	4cm x 4cm ball bearing fan x 1
System Control	Power on / off switch x 1 Reset button x 1
Indicator	LED Indicator x 3
I/O Panel (Front)	USB port x 2 MIC In / Line In / Line Out x 1 IrDA x 1
I/O Panel (Rear)	LAN x 1 USB port x 2 PS/2 keyboard x 1 PS/2 mouse x 1 VGA x 1 Parallel port x 1 COM Port x 4 Reserved cutout for LVDS interface x 1
Mechanical	
Construction	Heavy-duty steel chassis
Color	Beige
Dimension	10.55"(W) X 3.38" (H) X 9.84" (D) (268mm x 86mm x 250mm)
Carton Dimension	14.96" (W) x 14.96" (H) x 8.07" (D) (380mm x 380mm x 205mm)
Net Weight	9.24lb (4.2kg)
Gross Weight	11lb (5kg)
Environmental	
Operating Temperature	32° F ~ 113° F (0° C ~ 45° C)
Storage Temperature	32° F ~ 167° F (0° C ~ 75° C)
Operating Humidity	5 ~ 95%@40° C, non-condensing
Vibration	1G / 5 ~ 500Hz / random operation
Shock	15G peak acceleration (11 msec. duration)
EMC	CE/FCC class A

Dimension

Unit : mm



Power Supply Option

P/N	Watt	Type	Input	Output / Mini-load						Safety	EMI	MBTF
				+3.3V	+5V	+12V	-5V	-12V	5VSB			
1757215002	150W	ATX	AC 110/220V	7A	12A	5A	0.2A	0.3A	2A	UL/CSA/ CB/TUV	FCC/CE	50,000hrs
				0.5A	1A	0.5A	—	—	—			

Ordering Information

P/N	Power	CD-ROM & FDD	Suitable CPU Card
AEC-6200	1757215002 (150W, ATX)	V	PCM-48961L, PCM-6890B, PCM-6896, PCM-6897/L
AEC-6200-01	1757215002 (150W, ATX)	—	

1

Operator Panel

2

Panel PC

3

LCD PC

4

Embedded Control PC

5

Workstation

6

Display Monitor

7

IPC Solution

8

Full-Size CPU Card

9

Half-Size CPU Card

10

Accessory