



Elite CR-38

Multi-Throw DC-22GHz

Normally Open

The CR-38 Switch is a broadband, multi-throw, electromechanical coaxial switch designed to switch a microwave signal from a common input to any of 3, 4, 5, or 6 outputs. The characteristic impedance is 50 Ohms. The switches are small using the popular connector spacing on a 1.062" dia. circle. Each position has an individual actuator mechanism allowing random position selection. This also gives the minimum switching time.

Specifications

RF Contacts: Break before make

Actuator	Voltage (VDC) 20°C	12	15	28
	Current (mA)	170	136	140

Switching Time: 15 msec max

Connectors: SMA (f)

Weight: 6 oz. max

Temperature Range: -55°C to +85°C (Operating)

Shock: MIL-STD-202 Method 213, Condition D (500G Non Operating)

Vibration: MIL-STD-202 Method 214, Condition D (10G RMS Non Operating)

Humidity: Moisture Seal Available

Typical Contact Life: 5 Million Cycles

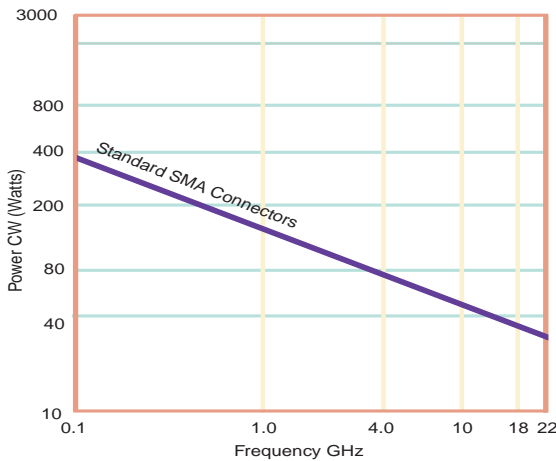
RF Power Handling

With the normally open actuator, all paths are open when the switch is de-energized.

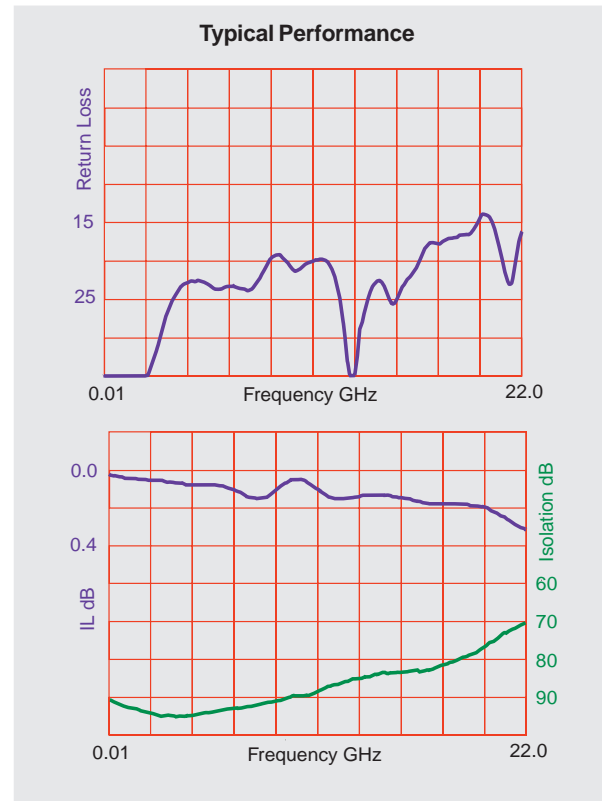
Insertion Loss Repeatability (1 Million Cycles):

DC to 6 GHz: 0.05 dB

DC to 20 GHz: 0.1 dB



Specifications	DC-6 GHz	6-12 GHz	12-18 GHz	18-22 GHz
VSWR (max)	1.25:1	1.40:1	1.50:1	1.80:1
Insertion Loss (min)	0.20 dB	0.40 dB	0.50 dB	0.60 dB
Isolation (max)	70.0 dB	60.0 dB	60.0 dB	50.0 dB



Specifications subject to change without notice.

www.teledynecoax.com
email: coax@teledyne.com

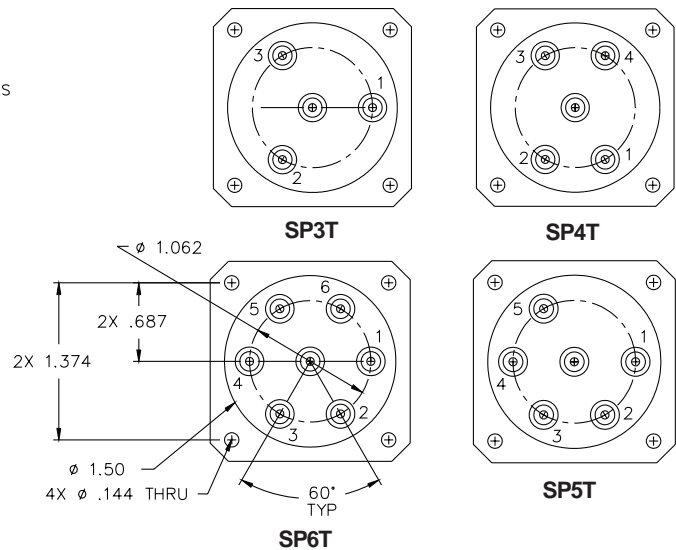
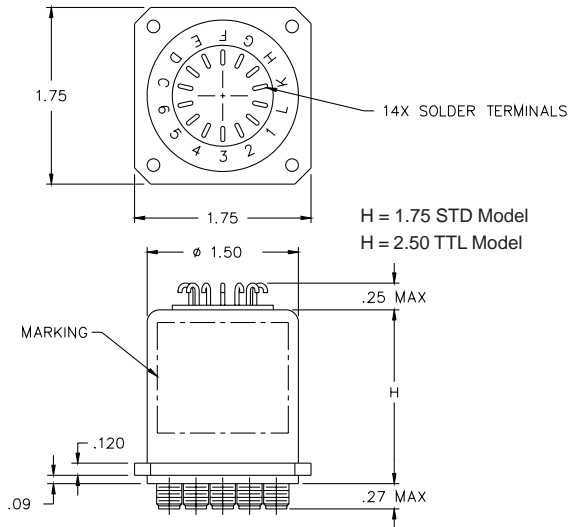
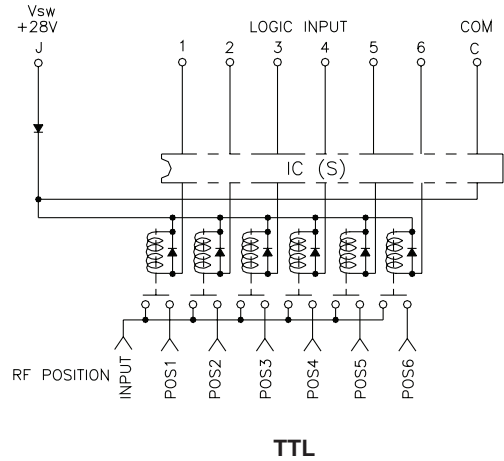
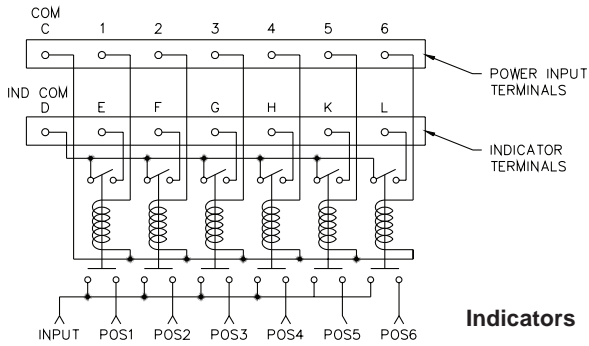
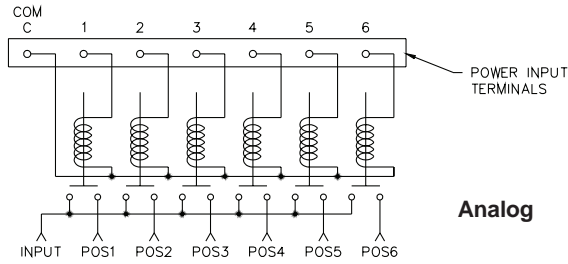
Tel: (800) 351-7368

10/2007

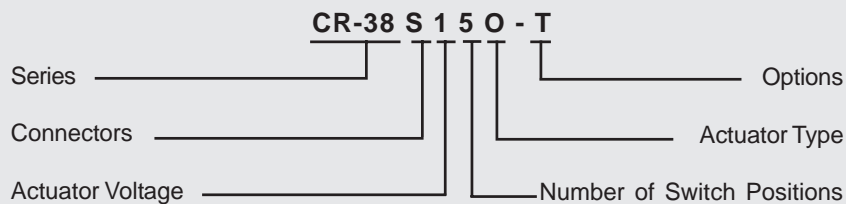
Elite CR-38

Multi-Throw DC-22GHz

Normally Open



Part Numbering System for CR-38 (Normally Open)



Connector	Actuator Voltage	Number of Positions	Actuator Type	Options
S: SMA Female	1: 28Vdc Normally Open	3: SP3T	O: No Indicator Contacts	T: TTL Drivers with Diodes
	2: 15Vdc Normally Open	4: SP4T	C: Indicator Contacts	R: Positive + Common
	3: 12Vdc Normally Open	5: SP5T		TD: TTL Driver with Decoder
		6: SP6T		

For other options contact Factory



Specifications subject to change without notice.

www.teledynecoax.com
email: coax@teledyne.com

Tel: (800) 351-7368
10/2007