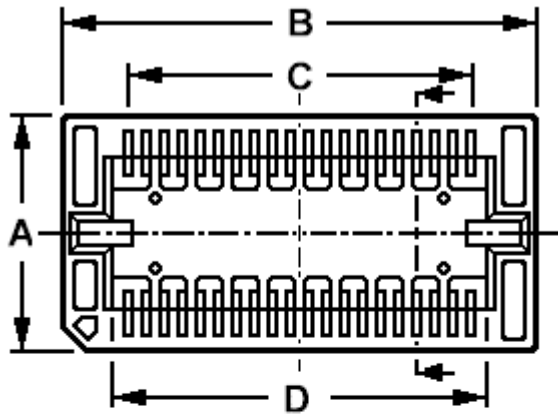
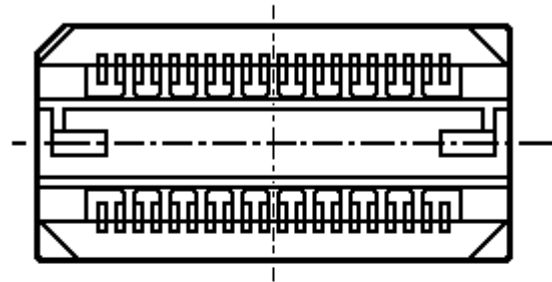


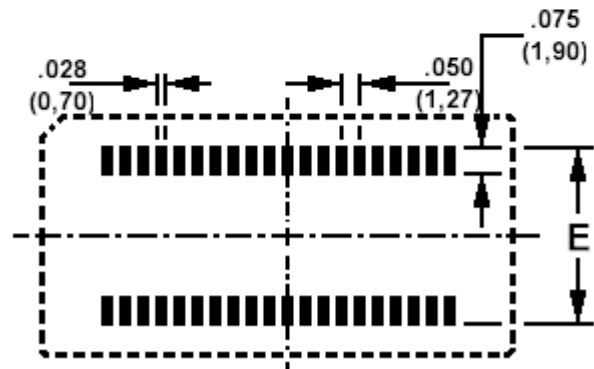
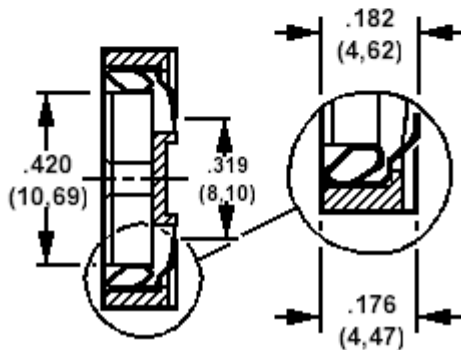
709-2004, SOJ sockets, surface mount, supplied on tape and reel



View from above



View from beneath



PCB layout

How to order code

709-2004-4XX-4-00

Basic Part No (XXX = No. of Contacts - See table for options)

DIMENSIONS						
Full Part Number	Contacts (XX)	Dimensions				
		A	B	C	D	E
709-2004-428-4-00	28	.646 (16,40)	1.015 (25,78)	.650 (16,51)	.743 (18,88)	.177 (4,50)
709-2004-432-4-00	32	.646 (16,40)	1.115 (28,32)	.750 (19,05)	.843 (21,42)	.177 (4,50)
709-2004-436-4-00	36	.646 (16,40)	1.215 (30,86)	.850 (21,59)	.943 (23,96)	.177 (4,50)
709-2004-440-4-00	40	.646 (16,40)	1.315 (33,40)	.950 (24,13)	1,043 (26,50)	.177 (4,50)
709-2004-442-4-00	42	.646 (16,40)	1.365 (34,67)	1,000 (25,40)	1,093 (27,77)	.177 (4,50)

SPECIFICATIONS		
Component	Material	Finish
		-04
Contact	Phosphor Bronze	Electro Tin
Moulding	PPS 40% glass filled, UL94V-0	-
Current Rating	1 Amp	
Insulation Resistance	5000 M Ohm Min.	
Withstanding Voltage	600 V AC RMS Min.	
Operating Temperature	-55°C to +150°C	
Durability	25 cycles, no electrical degradation	
Thermal Shock	MIL-STD 202, method 107, condition B	
Vibration	MIL-STD 1344, method 2005, condition 3	
Mechanical Shock	MIL-STD 1344, method 2004, condition A	

FEATURES	
	Skeleton base - allows visual inspection of solder joints
	Board stand-offs - facilitate easy cleaning
	Low profile - .182" (4,62mm) height only
	Packaged on tape and reel, 400 pieces per reel, all options

Mechanical tolerance unless otherwise stated $\pm .005(0,13)$