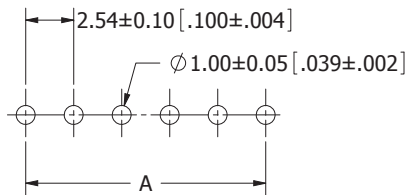
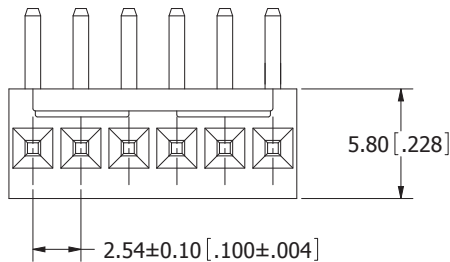
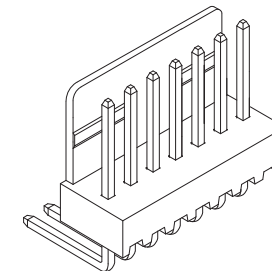
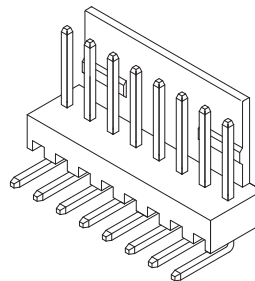


**PART NUMBER CODING**  
**SWR25X-NRTC-S\_\_-R\_-BA**

**TERMINATION TYPE**  
 A= RIGHT ANGLE BENT, TYPE 2  
 B= RIGHT ANGLE BENT, TYPE 1  
**NUMBER OF POSITIONS**  
 (CONTACTS PER ROW)

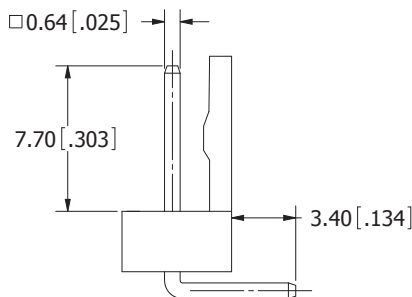
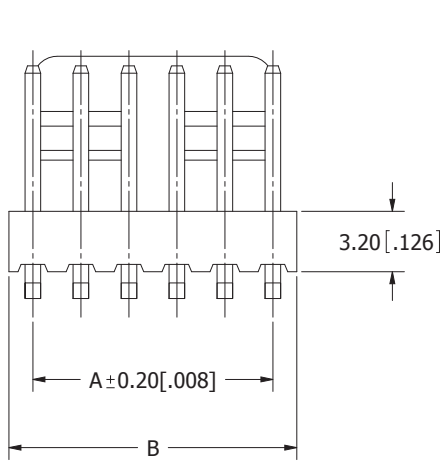


**RECOMMENDED PCB LAYOUT**  
 P.C. BOARD THICKNESS: 1.6mm [.063"]

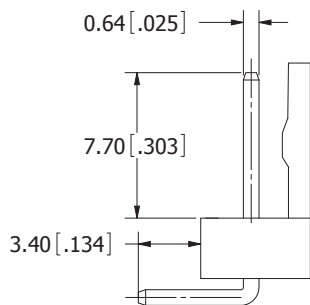


**P/N: SWR25X-NRTC-S\_\_-RA-BA**  
**(TYPE 2)**

**P/N: SWR25X-NRTC-S\_\_-RB-BA**  
**(TYPE 1)**



**P/N: SWR25X-NRTC-S\_\_-RB-BA**  
**(TYPE 1)**



**P/N: SWR25X-NRTC-S\_\_-RA-BA**  
**(TYPE 2)**

| Part Number           | Positions/<br>Contacts | A     |       | B           |       |             |       |
|-----------------------|------------------------|-------|-------|-------------|-------|-------------|-------|
|                       |                        |       |       | TYPE 2 (RA) |       | TYPE 1 (RB) |       |
|                       |                        | MM    | INCH  | MM          | INCH  | MM          | INCH  |
| SWR25X-NRTC-S02-R_-BA | 02/02                  | 2.54  | 0.100 | 5.12        | 0.202 | 5.08        | 0.200 |
| SWR25X-NRTC-S03-R_-BA | 03/03                  | 5.08  | 0.200 | 7.66        | 0.302 | 7.62        | 0.300 |
| SWR25X-NRTC-S04-R_-BA | 04/04                  | 7.62  | 0.300 | 10.20       | 0.402 | 10.16       | 0.400 |
| SWR25X-NRTC-S05-R_-BA | 05/05                  | 10.16 | 0.400 | 12.74       | 0.502 | 12.70       | 0.500 |
| SWR25X-NRTC-S06-R_-BA | 06/06                  | 12.70 | 0.500 | 15.30       | 0.602 | 15.24       | 0.600 |
| SWR25X-NRTC-S07-R_-BA | 07/07                  | 15.24 | 0.600 | 17.94       | 0.706 | 17.78       | 0.700 |
| SWR25X-NRTC-S08-R_-BA | 08/08                  | 17.78 | 0.700 | 20.48       | 0.806 | 20.32       | 0.800 |
| SWR25X-NRTC-S09-R_-BA | 09/09                  | 20.32 | 0.800 | 23.02       | 0.906 | 22.86       | 0.900 |
| SWR25X-NRTC-S10-R_-BA | 10/10                  | 22.86 | 0.900 | 25.58       | 1.007 | 25.40       | 1.000 |
| SWR25X-NRTC-S11-R_-BA | 11/11                  | 25.40 | 1.000 | 28.12       | 1.107 | 27.94       | 1.100 |
| SWR25X-NRTC-S12-R_-BA | 12/12                  | 27.94 | 1.100 | 30.68       | 1.208 | 30.48       | 1.200 |
| SWR25X-NRTC-S13-R_-BA | 13/13                  | 30.48 | 1.200 | 33.10       | 1.303 | 33.02       | 1.300 |
| SWR25X-NRTC-S14-R_-BA | 14/14                  | 33.02 | 1.300 | 35.80       | 1.409 | 35.56       | 1.400 |
| SWR25X-NRTC-S15-R_-BA | 15/15                  | 35.56 | 1.400 | 38.34       | 1.509 | 38.10       | 1.500 |
| SWR25X-NRTC-S16-R_-BA | 16/16                  | 38.10 | 1.500 | 40.94       | 1.612 | 40.64       | 1.600 |
| SWR25X-NRTC-S17-R_-BA | 17/17                  | 40.64 | 1.600 | 43.30       | 1.705 | 43.18       | 1.700 |
| SWR25X-NRTC-S18-R_-BA | 18/18                  | 43.18 | 1.700 | 45.90       | 1.807 | 45.72       | 1.800 |
| SWR25X-NRTC-S19-R_-BA | 19/19                  | 45.72 | 1.800 | /           | /     | 48.26       | 1.900 |
| SWR25X-NRTC-S20-R_-BA | 20/20                  | 48.26 | 1.900 | 50.80       | 2.000 | 50.80       | 2.000 |

**NOTES:**

- INSULATOR MATERIAL: NYLON 66, UL94V-2, COLOR: BEIGE.
- CONTACT MATERIAL: BRASS.
- CONTACT PLATING: .000020" MIN. NICKEL UNDERPLATE, PURE TIN, BRIGHT OVERALL.
- CURRENT RATING: 5 AMPS PER CONTACT.
- VOLTAGE RATING: 250V AC/DC.
- INSULATOR RESISTANCE: 1000 MEGOHMS MIN.
- CONTACT RESISTANCE: 20 MILLIOHMS MAX.
- DIELECTRIC WITHSTANDING VOLTAGE: 1000V AC.
- OPERATING TEMPERATURE: -25° C TO +85° C.
- MATES WITH SWH25X SERIES SINGLE ROW HOUSING.



**RoHS COMPLIANT**

UNLESS OTHERWISE SPECIFIED:  
 DIMENSIONS ARE IN MM(INCHES)  
 TOLERANCES: ANGULAR:  
 X= ± 0.3 [.01]  
 XX= ± 0.30 [.012]  
 INTERPRET DIMENSIONS AND  
 TOLERANCING  
 PER: ASME Y14.5M-2009

|  |            |      |
|--|------------|------|
| DRAWN  | DATE       | NAME |
|  | 05/23/2011 | LH   |
| THE INFORMATION HEREIN CONTAINS PROPRIETARY INFORMATION OF SULLINS ELECTRONICS AND IS NOT TO BE REPRODUCED, USED OR DISCLOSED TO OTHERS FOR ANY PURPOSE EXCEPT AS SPECIFICALLY AUTHORIZED IN WRITING BY AN OFFICER OF SULLINS ELECTRONICS. |            |      |
|  |            |      |

|   |                    |                   |          |
|---|--------------------|-------------------|----------|
|   |                    |                   |          |
| TITLE<br>WAFER 2.54mm[.100"] CC, 1 ROW, RA/RB |                    |                   |          |
| PART NUMBER<br>SWR25X-NRTC-S__-R_-BA          |                    |                   |          |
| SIZE<br>C                                     | CAGE CODE<br>54453 | DWG. NO.<br>11634 | REV<br>A |
| SCALE: 5:1                                    |                    | SHEET 1 OF 1      |          |