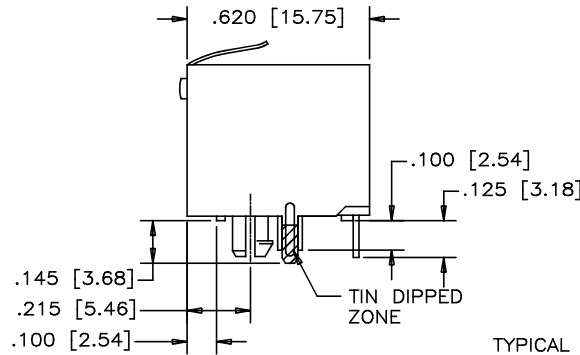
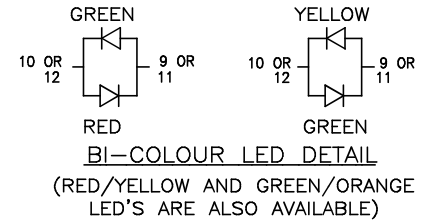


FRONT VIEW



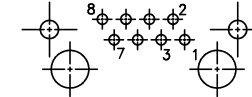
SIDE VIEW



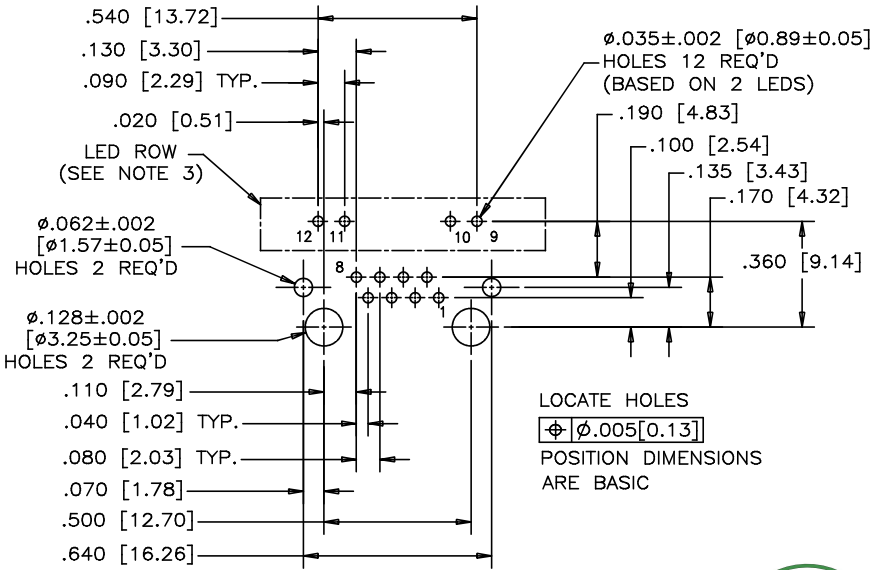
(RED/YELLOW AND GREEN/ORANGE LED'S ARE ALSO AVAILABLE)

TYPICAL FOR BI-COLOUR LED

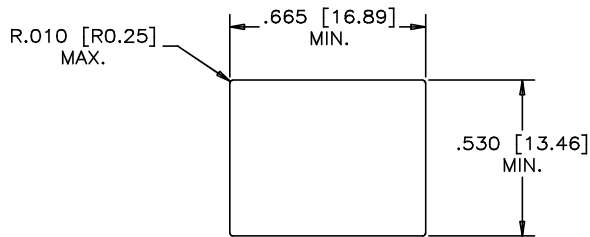
TYPICAL FOR SINGLE COLOR LED (RED, GREEN, OR YELLOW)



LED SCHEMATIC



RECOMMENDED P.C.B. LAYOUT
(COMPONENT SIDE OF BOARD)



RECOMMENDED PANEL CUTOUT



REVISIONS			
SYM	ZONE	ECN, ERN NO.	DATE
G		FIX REV ERROR	NOV13/12 L.CHAN
H		ADD GENERAL TOLERANCE	APR01/13 L.CHAN
J		FIX STANDOFF ISSUE	OCT21/13 L.CHAN

NOTES:

- MATERIALS:**
 PLASTIC HOUSING: HIGH TEMPERATURE THERMOPLASTIC
 FLAMMABILITY RATING UL 94V-0, COLOUR: BLACK

 CONTACTS: PHOSPHOR BRONZE
 PLATING: 50 μ " [1.27 MICRONS]
 MIN. GOLD ON MATING SURFACES.
 50 μ " [1.27 MICRONS]
 MIN. NICKEL UNDERPLATE
 100 μ " [2.54 MICRONS]
 MIN. MATTE TIN ON CONTACT TAILS.

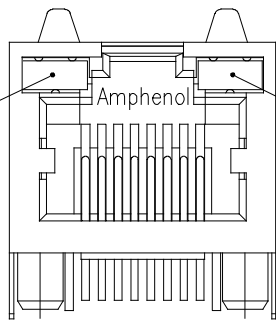
 SHIELD: STAINLESS STEEL WITH TIN DIP ON SOLDER TAIL
- RECOMMENDED SOLDERING TEMPERATURE:**
 WAVE SOLDERING AT 260°C MAXIMUM FOR 5 SEC MAXIMUM.
- P.C.B. HOLE LAYOUT:**
 AMPHENOL PART NUMBER RJHSE-538X P.C.B LAYOUT LED HOLES ARE OPTIONAL.
- PART NUMBER: RJHSE-538X**
 REFER TO LED OPTIONS DRAWING FOR ORDERING CODES

DRAWN PAULW		DATE APR13/06		Amphenol Canada Corp.	
DESIGNED		APR13/06			
CHECKED CHIGOW		APR13/06		TITLE	
I. E. APPRD.				HIGH SPEED, RJ45, MODULAR JACK,	
Q. A. APPRD.				8 POSITION, 8 CONTACTS,	
DWG. APPRD.				SHIELDED, WITH LED'S - RoHS COMPLIANT	
ENG. REL. NO.				REV.	
REF.				J	
DIMENSIONS ARE IN INCHES /mm		CODE ID. NO. 03554		SCALE	
				WT. _____ SURF. _____ SHEET 1 OF 1	

THIS DOCUMENT CONTAINS PROPRIETARY INFORMATION AND SUCH INFORMATION MAY NOT BE DISCLOSED TO OTHERS FOR ANY PURPOSE OR USED FOR MANUFACTURING PURPOSES WITHOUT WRITTEN PERMISSION FROM AMPHENOL CANADA CORP.



LED 2 (LEFT)



LED 1 (RIGHT)

TYPICAL FOR SINGLE & MULTI-PORT



LED COLOR CODE

EXAMPLE:

PART NUMBER RJHSE-538X

CODE	LED 2 (LEFT)	LED 1 (RIGHT)	CODE	LED 2 (LEFT)	LED 1 (RIGHT)	CODE	LED 2 (LEFT)	LED 1 (RIGHT)
0	BLOCKED	BLOCKED	9	GREEN	BLOCKED	J	BiC RD/GR	YELLOW
1	YELLOW	GREEN	A	BiC GR/YE	BiC GR/YE	K	YELLOW	BiC GR/OR
2	BLOCKED	GREEN	B	BiC RD/GR	BiC RD/GR	L	BiC GR/YE	RED
3	YELLOW	BLOCKED	C	BiC RD/GR	BiC GR/YE	M	RED	YELLOW
4	GREEN	YELLOW	D	GREEN	BiC GR/YE	N	BiC GR/RD	BiC GR/YE
5	GREEN	GREEN	E	YELLOW	BiC GR/YE	P	GREEN	BiC RD/GR
6	YELLOW	YELLOW	F	BiC GR/YE	YELLOW	R	BiC GR/OR	GREEN
7	RED	GREEN	G	BiC GR/OR	BiC GR/OR	T	RED	RED
8	GREEN	RED	H	BiC GR/YE	GREEN	V	BiC RD/GR	GREEN
						W	ADDITIONAL	OPTIONS

EXAMPLE OF ADDITIONAL LED OPTIONS:

PART NUMBER RJHSE-538W-01Y

ADDITIONAL LED COLOR CODE

DENOTES ADDITIONAL LED OPTIONS TO BE USED

CODE	LED 2 (LEFT)	LED 1 (RIGHT)	CODE	LED 2 (LEFT)	LED 1 (RIGHT)	CODE	LED 2 (LEFT)	LED 1 (RIGHT)
0	DO NOT USE		5	BLOCKED	YELLOW	E	BiC GR/YE	BiC GR/RD
1	RED	BLOCKED	6	RED	BiC RD/GR	A	LOWC YE	LOWC YE
2	BiC GR/OR	YELLOW	7	BLOCKED	BiC RD/GR	B	LOWC YE	LOWC GR
3	YELLOW	RED	8	BiC RD/GR	BLOCKED	C	LOWC GR	LOWC YE
4	BLOCKED	RED	9	BiC GR/YE	BLOCKED	D	LOWC GR	LOWC GR
						M	LOWC RD	LOWC YE

REVISIONS				
SYM	ZONE	ECN, ERN NO.	DATE	APPRD.
A		PROPOSAL	SEP21/04	
B		ADD LED CODE N	AUG16/12	L.C
C		UPDATE RoHS STAMP	AUG30/13	L.C

LED SPECIFICATIONS:

FORWARD VOLTAGE: 2.1 VOLTS TYP.
 REVERSE VOLTAGE: 5.0 VOLTS MIN.
 LUMINOUS INTENSITY: 0.5 mCd MIN.

(AT If=2mA)

STORAGE TEMPERATURE: -20° TO 85° C

LEAD SOLDERING TEMPERATURE: 260° C

(5 SEC, 1/16" FROM CASE)

PLATING ON TAILS: TIN OR TIN/COPPER ALLOY OVER SILVER

PRIMARY COLOR FOR BI-COLOR

LEDS IN STANDARD ANODE/

CATHODE CONFIGURATION IS:

RED-GREEN= RED

RED-YELLOW= RED

GREEN-YELLOW= GREEN

GREEN-ORANGE= GREEN

LEGEND

BiC=BI-COLOR LED

LOWC=LOW CURRENT LED

YE=YELLOW

GR=GREEN

RD=RED

OR=ORANGE

NOTE:

THE TWO DIGITS PRECEDING THE ADDITIONAL LED CODE MUST BE USED IN THE PART NUMBER, WHEN ORDERING ANY OF THE ADDITIONAL LED OPTIONS.

DRAWN K. LAMBIE	DATE SEP21/04
DESIGNED	
CHECKED	
I. E. APPRD.	
Q. A. APPRD.	
DWG. APPRD.	
ENG. REL. NO.	
REF.	
DIMENSIONS ARE IN INCHES [mm]	CODE ID. NO. 03554

Amphenol Canada Corp.	
TITLE LED OPTIONS FOR RJHSE, SINGLE OR MULTI-PORT CONNECTORS - RoHS COMPLIANT	
DWG	DRAWING NO. P-RJHSE-LEDS
SCALE	WT. ----- SURF. ----- SHEET 1 OF 1

THIS DOCUMENT CONTAINS PROPRIETARY INFORMATION AND SUCH INFORMATION MAY NOT BE DISCLOSED TO OTHERS FOR ANY PURPOSE OR USED FOR MANUFACTURING PURPOSES WITHOUT WRITTEN PERMISSION FROM AMPHENOL CANADA CORP.