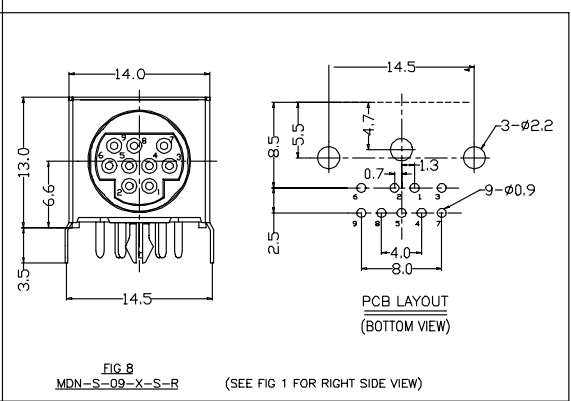
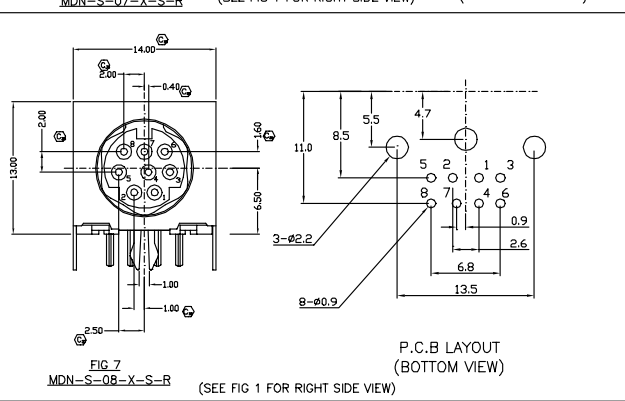
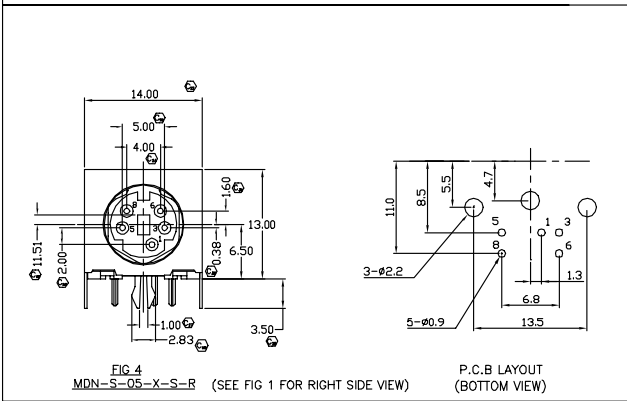
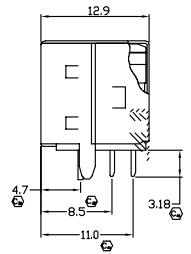
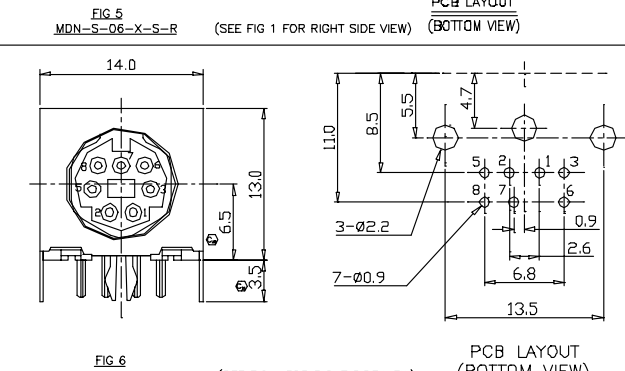
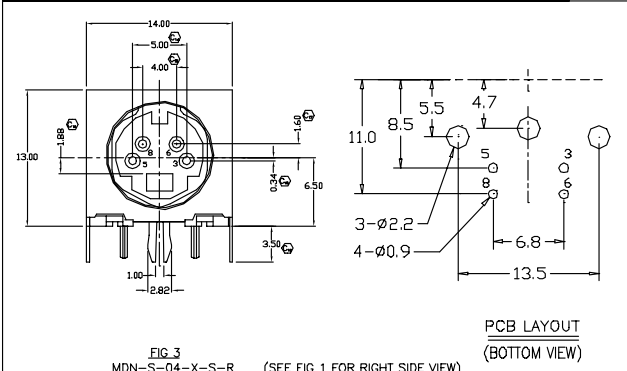


NOTES:
1. Ø REPRESENTS ORITICAL DIMENSION.
2. GOLD PLATING TO BE ON MATING AREAS



DO NOT SCALE FROM THIS PRINT

UNLESS OTHERWISE SPECIFIED, DIMENSIONS ARE IN MM. TOLERANCES ARE:
DECIMALS ANGLES
X: ±0.5 ±3°
X.X: ±0.3
X.XX: ±0.15

PROPRIETARY NOTE
THIS DOCUMENT CONTAINS INFORMATION CONFIDENTIAL AND PROPRIETARY TO SAMTEC INC. AND SHALL NOT BE REPRODUCED OR TRANSFERRED TO OTHERS OR USED FOR ANY PURPOSE OTHER THAN THAT FOR WHICH IT WAS OBTAINED WITHOUT THE EXPRESS WRITTEN CONSENT OF SAMTEC INC.

DO NOT SCALE DRAWING
MATERIAL:
SHELL: BRASS, TIN PLATED
TERMINAL: PHOS. BRONZE, FLASH GOLD PLATED
BODY: PET (PAKED IN BLACK) OR BLACK
CAP: PET (PAKED IN BLACK)

SHEET SCALE: 1:2

DESCRIPTION:
MINI DIN JACK
DWG. NO.
MDN-S-XX-X-S-R
B1TIM P. 03/22/08 SHEET 1 OF 1

samtec

520 PARK EAST BLVD. NEW ALBANY, IN 47150
(812) 944-6733 P.O. BOX 1147 TWC: 810-540-4085