

SURFACE-MOUNT WIRE-WOUND CHIP INDUCTORS

AISC SERIES

1812RH

FEATURES:

- High Frequency Design
- Excellent Q Values
- Excellent SRF
- High Reliability
- Excellent Thermal Stability

OPTIONS:

- Tape & Reel is Standard (Qty: 2000 pcs.)
Bulk Packaging Available for Smaller Quantities
- Tolerance: K=10%, M=20% is Standard, Tighter Tolerances Available (Note1)

COMMON APPLICATIONS:

- Modems
- Mobile Radios
- Cordless Telephones
- Global Positioning Systems
- Wireless Communications Equipment
- Networking System, xDSL Filter
- Computer Products and Peripherals

STANDARD SPECIFICATIONS					
Part Number	L (μH) K=±10% M=±20%	L Test Freq (MHz)	SRF Min (MHz)	RDC Max (W)	IDC Max (mA)
1812RH Series					
AISC-1812RH-1R0M	1.0	1	100	0.08	1080
AISC-1812RH-1R5M	1.5	1	85	0.09	1000
AISC-1812RH-2R2M	2.2	1	60	0.11	900
AISC-1812RH-3R3M	3.3	1	47	0.13	800
AISC-1812RH-4R7K	4.7	1	35	0.15	750
AISC-1812RH-6R8K	6.8	1	30	0.20	720
AISC-1812RH-100K	10	1	23	0.24	650
AISC-1812RH-150K	15	1	32	0.32	570
AISC-1812RH-220K	22	1	15	0.60	420
AISC-1812RH-330K	33	1	12	1.0	310
AISC-1812RH-470K	47	1	10	1.1	280
AISC-1812RH-680K	68	1	8.4	1.7	220
AISC-1812RH-101K	100	1	6.8	2.2	190
AISC-1812RH-151K	150	1	5.5	3.5	130
AISC-1812RH-221K	220	1	4.5	4.0	110
AISC-1812RH-331K	330	1	3.6	6.8	100
AISC-1812RH-471K	470	0.001	3.0	9	90

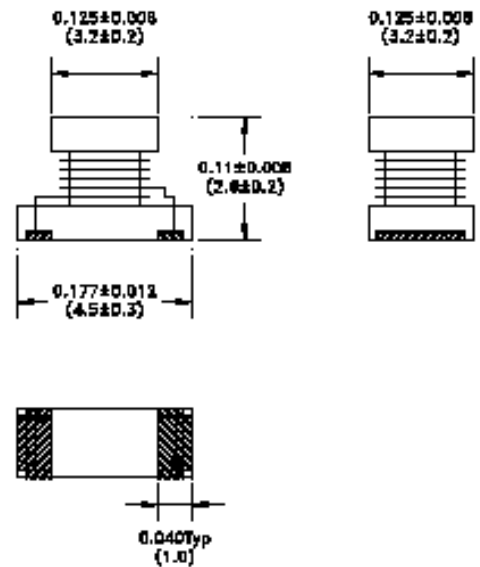
Note1: J=±5%, K=±10%, M=±20%

TECHNICAL INFORMATION:

- Testing: HP4291A, HP16193A, HP4286A or equivalent
- Solderability: 75% of the terminal electrode shall be covered
- Soldering Methods: Reflow
- Operating Temperature: -40°C to +85°C
- Storage Temperature: -55°C to +125°C

Note: All specifications subject to change without notice.

PHYSICAL CHARACTERISTICS



Dimensions: Inches (mm)