



Series 513 LO-PRO®file Collet Sockets with Solder Tail Pins

FEATURES:

- LO-PRO®file Collet Sockets are available with solder tail or wire wrap pins. Consult Data Sheet No. 12012 for wire wrap pins.
- Choose from several size and plating options.

SPECIFICATIONS:

- Body material is black UL 94-HB Glass-filled Nylon. Hi-Temp body material is black UL 94V-0 4/6 Nylon.
- Pin body is Brass Alloy 360 1/2 hard per UNS C36000 ASTM-B16-85.
- Pin body plating is either 200 μ [5.08 μ m] min. 93/7 Tin/Lead per MIL-P-81728 or 10 μ [.025 μ m] min. Gold per MIL-G-45204 over 100 μ [2.54 μ m] min. Nickel per QQ-N-290.
- 4-fingered collet contact is Beryllium Copper Alloy per UNS C17200 ASTM-B194-92.
- Contact plating is either 10 μ [.25 μ m] Gold per MIL-G-45204 or 150 μ [3.81 μ m] min. 93/7 Tin/Lead per MIL-P-81728 over 50 μ min. [1.27 μ m] Nickel per QQ-N-290. Heavy 30 μ [.76 μ m] min. Gold on contact also available.
- Contact current rating=3 Amps.
- Insertion Force=180 grams/pin; Withdrawal Force=90 grams/pin; Normal Force=140 grams/pin; based on a .018 [.46] dia. test lead.
- Operating temperature=221°F [105°C] Tin plating, =257°F [125°C] Gold plating.
- Accepts leads .015-.025 [.38-.64] in diameter, .100-.146 [2.54-3.71] long.

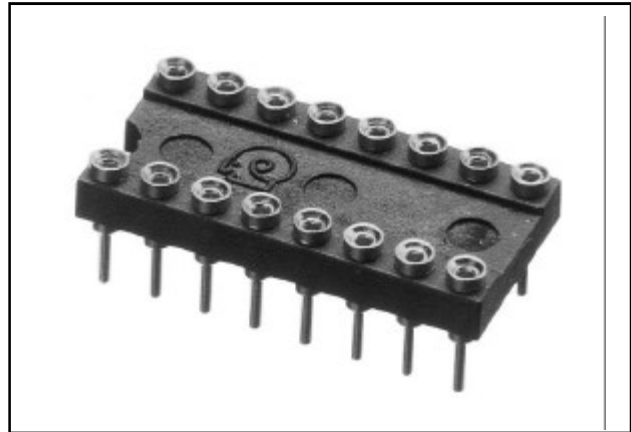
MOUNTING CONSIDERATIONS:

- Suggested PCB hole size=.030 \pm .002 [.76 \pm .05] dia.

ALL DIMENSIONS: INCHES [MILLIMETERS]

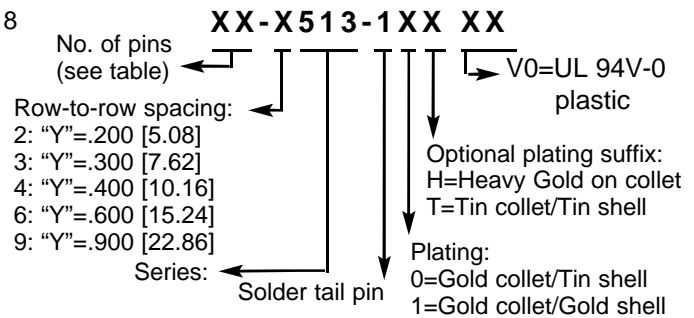
"W"=NO. OF PINS PER ROW X .100 [2.54]

"X"=(NO. OF PINS PER ROW - 1) X .100 [2.54]

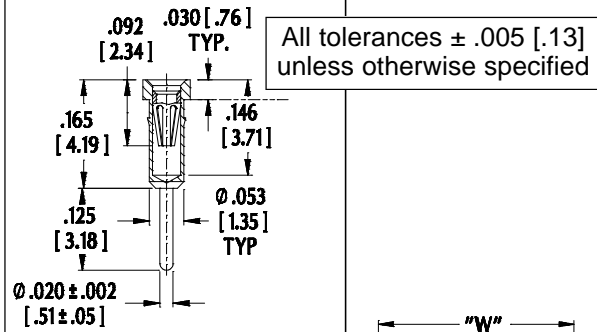


Note: Aries specializes in custom design and production. In addition to the standard products shown on this page, special materials, platings, sizes, and configurations can be furnished, depending on quantities. Aries reserves the right to change product specifications without notice.

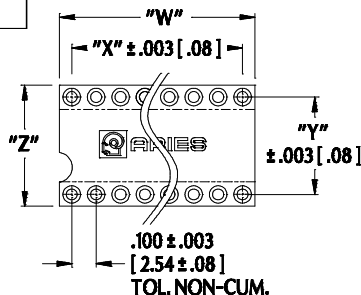
ORDERING INFORMATION



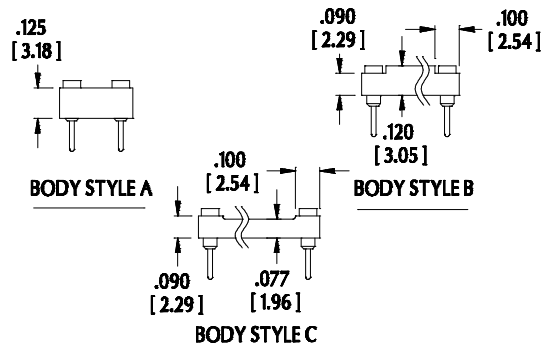
SOLDER TAIL PIN



Consult Data Sheet No. 12012 for LO-PRO®file collet sockets with wire wrap pins.



Centers "Y"	Dim. "Z"	Body Style	Available Sizes
.200 [5.08]	.300 [5.08]	A	2 thru 10
.300 [7.62]	.400 [10.16]	C B	2 thru 20 22 thru 40
.400 [10.16]	.500 [12.70]	C	2 thru 22
.600 [15.24]	.700 [17.78]	C B	2 thru 40 42 thru 48
.900 [22.86]	1.000 [25.40]	B	2 thru 64



ARIES
ELECTRONICS, INC.
http://www.arieselec.com • info@arieselec.com

NORTH AMERICA
Frenchtown, NJ USA
TEL: (908) 996-6841
FAX: (908) 996-3891



EUROPE
TEL: +44 870 240 0249
FAX: +44 871 919 6033
europe@arieselec.com

12011
REV.D