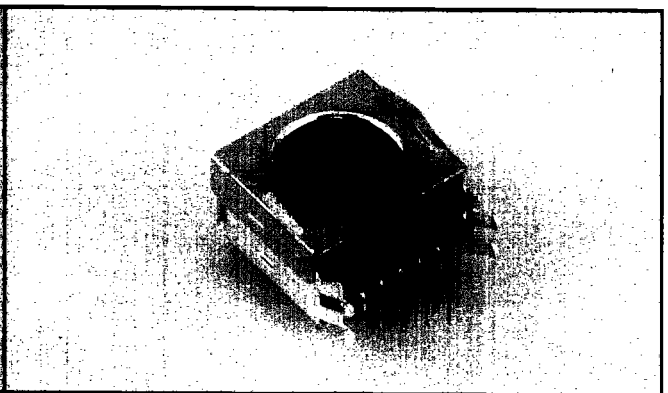


RIGHT ANGLE



S.M.T

FEATURES

- * WIDELY USED IN PC
- * HIGH RELIABILITY
- * HIGH DURABILITY
- * INTEGRATED THERMOPLASTIC INSULATOR
- * GOLD PLATING CONTACT

INSULATOR

THERMOPLASTIC (UL 94V-0, MOLDED BLACK)

CONTACT

COPPER ALLOY

CONTACT AREA

GOLD OVER Ni (50u" MIN.)

SOLDER AREA

TIN/LEAD (100u" MIN.) OVER Ni (50u" MIN.)

SHELL

COPPER ALLOY

TIN PLATING

ELECTRICAL CHARACTERISTICS :

- * LOW LEVEL CONTACT RESISTANCE : 20 mΩ MAX.
- * DIELECTRIC WITHSTANDING VOLTAGE : 750 VAC MIN.
- * INSULATION RESISTANCE : 1000 MΩ MIN.
- * CONTACT CURRENT RATING : 1000 VAD 1 Amp. MAX.
12 VDC 2 Amp. MAX.

MECHANICAL CHARACTERISTICS :

- * CONNECTOR INSERTION FORCE : 200gf MAX.
- * CONNECTOR EXTRACTION FORCE : 22 gf MIN.
- * CONNECTOR RETENTION FORCE : 1.36Kg MIN.
- * DURABILITY : 500 CYCLES
- * OPERATING TEMPERATURE : -55°C TO +105°C

MH N N N N N — XN

SHORT BODY _____

MINI-DIN SERIES

TERMINATOR TYPE _____

1 = RIGHT ANGLE

2 = S.M.T

CONTACT DESIGN TYPE _____

1 = FEMALE

BODY LENGTH _____

7 = 7.80 mm

[0.307] inch

MODIFICATION CODE

L0 = KINK, OPEN BACK,
WITH HI-TEMP

L1 = WITH PANEL GROUNDING

CONTACT PLATING

1 = GOLD FLASH

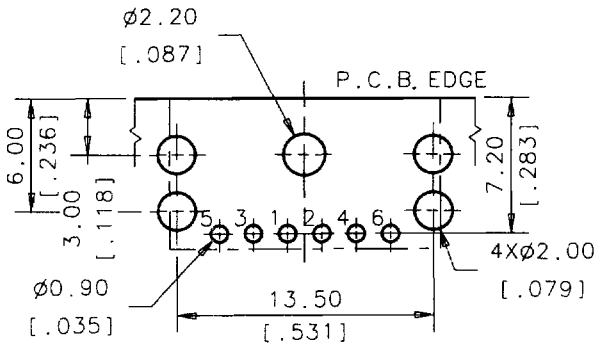
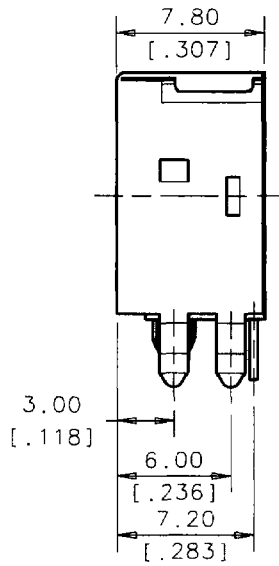
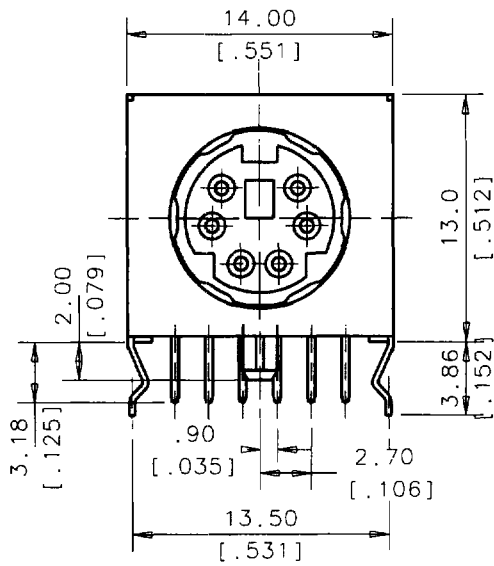
3 = 30u" GOLD PLATING

7 = 15u" GOLD PLATING

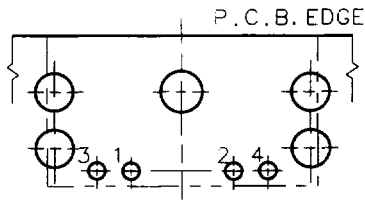
NO. OF CONTACT POSITION

4 = 4 PIN

6 = 6 PIN



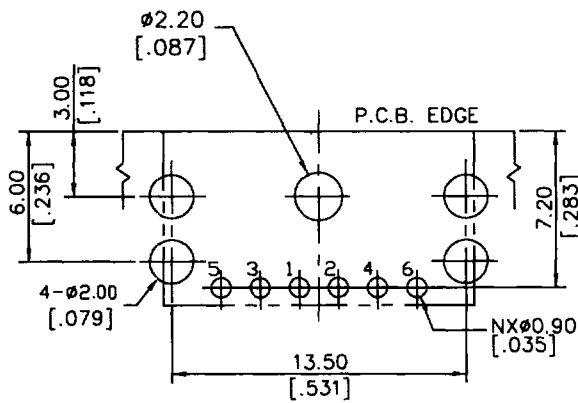
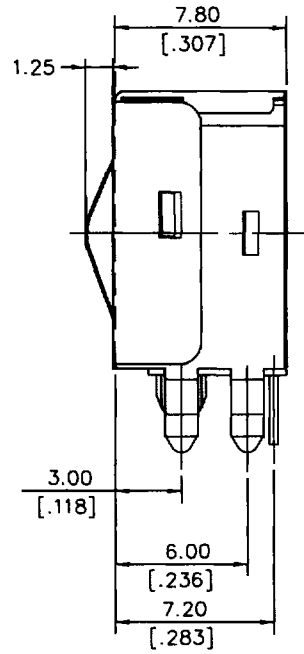
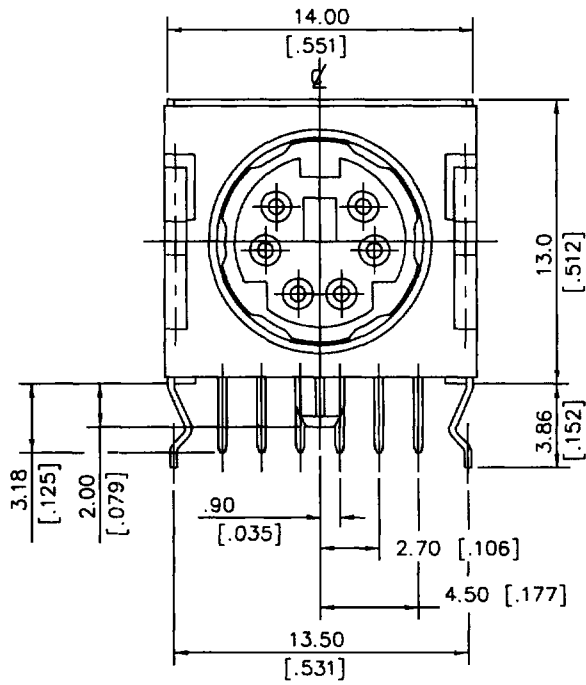
6 POS.



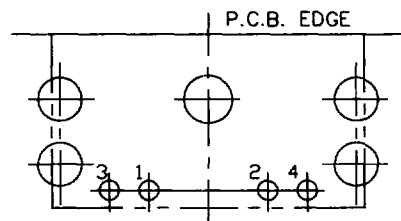
4 POS.

RECOMMENDED P.C.B. LAYOUT
(TOP VIEW)

MH1174□-L0	4
MH1176□-L0	6
PROD. NO.	NO. OF POS.



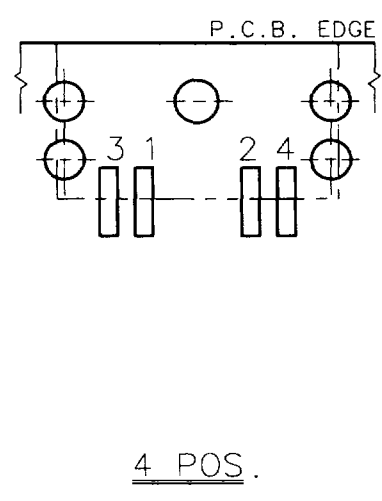
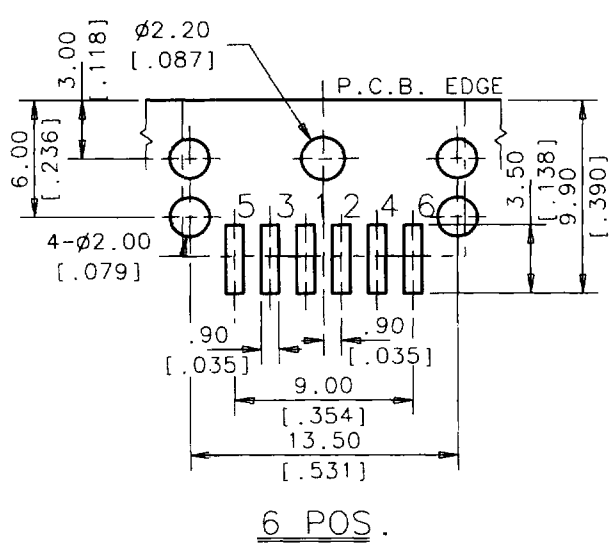
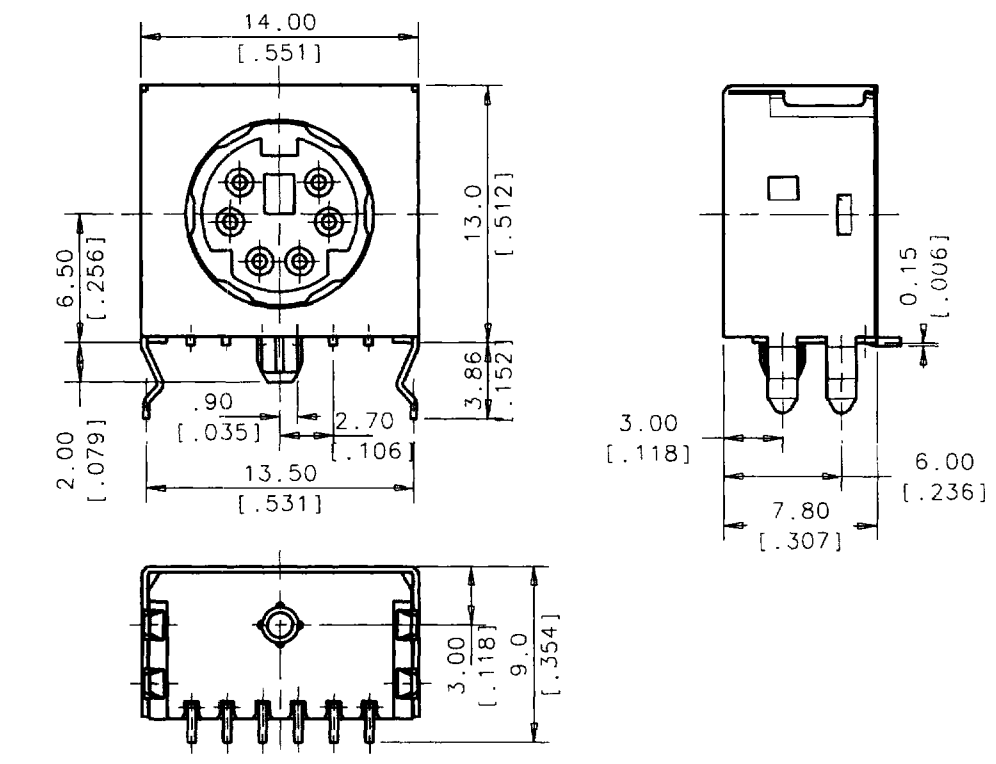
6 POS.



4 POS.

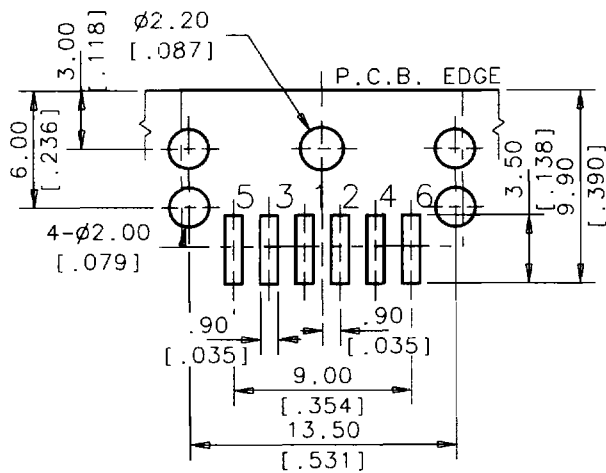
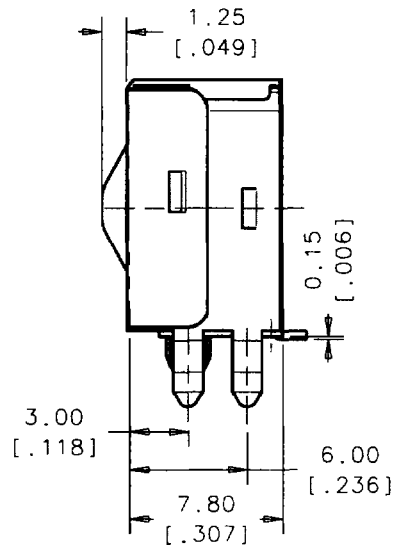
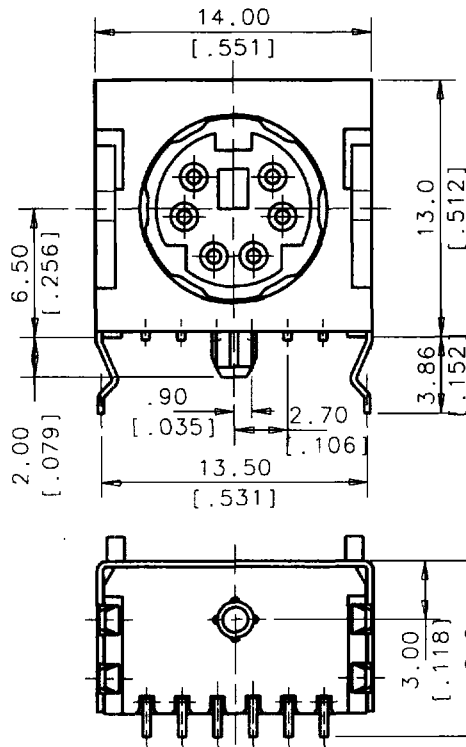
RECOMMENDED P.C.B. LAYOUT
(TOP VIEW)

MH1176□-L1	6
MH1174□-L1	4
PROD. NO.	NO. OF POS.

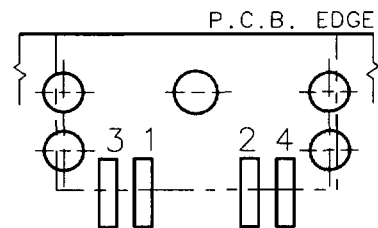


RECOMMENDED P.C.B. LAYOUT
(TOP VIEW)

MH2174□-L0	4
MH2176□-L0	6
PROD. NO.	NO. OF POS.



6 POS.



4 POS.

RECOMMENDED P.C.B. LAYOUT
(TOP VIEW)

MH2174□-L1	4
MH2176□-L1	6
PROD. NO.	NO. OF POS.