

EVALUATION KIT
AVAILABLE

1x/1.5x/2x White LED Charge Pump with Two LDOs in 4mm x 4mm Thin QFN

General Description

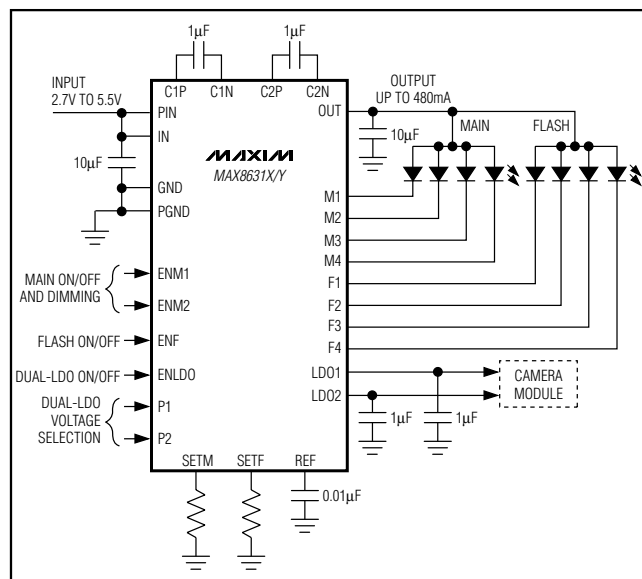
The MAX8631X/Y charge pump drives up to eight white LEDs with regulated constant current for uniform intensity. The main group of LEDs (M1–M4) can be driven up to 30mA per LED for backlighting. The flash group of LEDs (F1–F4) is independently controlled and can be driven up to 100mA per LED (or 400mA total). Two 200mA LDOs are on-board to provide power for camera functions. The LDOs' output voltages are pin-programmable to meet different camera-module requirements. By utilizing adaptive 1x/1.5x/2x charge-pump modes and very-low-dropout current regulators, the MAX8631X/Y achieves high efficiency over the full 1-cell lithium-battery voltage range. The 1MHz fixed-frequency switching allows for tiny external components, and the regulation scheme is optimized to ensure low EMI and low input ripple.

The MAX8631X/Y is available in a 28-pin thin QFN, 4mm x 4mm lead-free package (0.8mm max height).

Applications

Camera Phones and Smartphones
Backlighting and Flash
PDAs, Digital Cameras, and Camcorders

Typical Operating Circuit



Features

- ◆ Powers Up to 8 LEDs
 - Up to 30mA/LED Drive for Backlight
 - Up to 400mA Total Drive for Flash
- ◆ Two Internal Low-Noise 200mA LDOs
- ◆ 94% Max/85% Avg Efficiency (P_{LED}/P_{BATT}) over Li+ Battery Discharge
- ◆ 0.2% Typical LED Current Matching
- ◆ Adaptive 1x/1.5x/2x Mode Switchover
- ◆ Flexible Brightness Control
 - Single-Wire Serial Pulse Interface (32 Steps)
 - 2-Bit Logic (Three Levels)
- ◆ Thermal T_A Derating Function
- ◆ Low Input Ripple and EMI
- ◆ 2.7V to 5.5V Supply Voltage Range
- ◆ Soft-Start, Overvoltage, and Thermal-Shutdown Protection
- ◆ 28-Pin Thin QFN, 4mm x 4mm Package

Ordering Information

PART	TEMP RANGE	PIN-PACKAGE
MAX8631XETI+	-40°C to +85°C	28 Thin QFN-EP* 4mm x 4mm (T2844-1)
MAX8631YETI+	-40°C to +85°C	28 Thin QFN-EP* 4mm x 4mm (T2844-1)

*EP = Exposed paddle.

+Denotes lead-free package.

Pin Configuration appears at end of data sheet.

MAX8631X/Y

1x/1.5x/2x White LED Charge Pump with Two LDOs in 4mm x 4mm Thin QFN

ABSOLUTE MAXIMUM RATINGS

PIN, IN, OUT, REFBP to GND.....-0.3V to +6.0V
 SETF, SETM, ENLDO, ENM1, ENM2, ENF,
 P1, P2, LDO1, LDO2 to GND.....-0.3V to (VIN + 0.3V)
 M1, M2, M3, M4, F1, F2, F3, F4 to GND....-0.3V to (VOUT + 0.3V)
 C1N, C2N to GND -0.3V to (VIN + 1V)
 C1P, C2P
 to GND..... -0.3V to greater of (VOUT + 1V) or (VIN + 1V)
 PGND to GND-0.3V to +0.3V
 OUT, LDO1, LDO2 Short-Circuit to GNDContinuous

Continuous Power Dissipation (TA = +70°C)
 28-Pin Thin QFN 4mm X 4mm
 (derate 20.8mW/°C above +70°C).....1666mW
 Operating Temperature Range-40°C to +85°C
 Junction Temperature.....+150°C
 Storage Temperature Range-65°C to +150°C
 Lead Temperature (soldering, 10s).....+300°C

Stresses beyond those listed under "Absolute Maximum Ratings" may cause permanent damage to the device. These are stress ratings only, and functional operation of the device at these or any other conditions beyond those indicated in the operational sections of the specifications is not implied. Exposure to absolute maximum rating conditions for extended periods may affect device reliability.

ELECTRICAL CHARACTERISTICS

(VIN = 3.6V, VGND = VPGND = 0V, ENM1 = ENM2 = ENF = IN, RSETM = RSETF = 6.8kΩ, P1 = P2 = unconnected, CREF = 0.01μF, TA = -40°C to +85°C, unless otherwise noted. Typical values are at TA = +25°C.) (Note 1)

PARAMETER	CONDITIONS	MIN	TYP	MAX	UNITS
IN Operating Voltage		2.7		5.5	V
Undervoltage-Lockout Threshold	VIN rising or falling	2.25	2.45	2.60	V
Undervoltage-Lockout Hysteresis			130		mV
Supply Current	1MHz switching, no load, 1.5x or 2x mode		4.0	5.5	mA
	1x mode 10% setting, ENF = GND, VENLDO = VIN, ILDO1 = ILDO2 = 0A		0.4		
	ENM1 = ENM2 = ENF = GND, VENLDO = VIN, ILDO1 = ILDO2 = 0A			110	μA
Shutdown Supply Current	ENM1 = ENM2 = ENF = ENLDO = GND	TA = +25°C	0.01	5	μA
		TA = +85°C	0.1		
EN_ High Voltage	VIN = 2.7V to 5.5V	1.4			V
EN_ Low Voltage	VIN = 2.7V to 5.5V			0.4	V
EN_ Input Current	VEN_ = 0V or 5.5V	TA = +25°C	0.01	1	μA
		TA = +85°C	0.1		
ENM_ or ENF Low Shutdown Delay tSHDN	See Figure 2	1.5	2	2.5	ms
ENM_ or ENF tLO	See Figure 2	0.5		250.0	μs
ENM_ or ENF tHI	See Figure 2	0.5			μs
Initial ENM_ or ENF tHI	Only required for first ENM_ or ENF pulse, see Figure 2	200			μs
P1, P2 Shutdown Input Current			1		μA
P1, P2 Input Impedance			150		kΩ
Thermal-Shutdown Threshold	Temperature rising		+160		°C
Thermal-Shutdown Hysteresis			20		°C
CHARGE PUMP					
Overvoltage-Protection Threshold	VOUT rising		5		V
Soft-Start Time			2		ms

1x/1.5x/2x White LED Charge Pump with Two LDOs in 4mm x 4mm Thin QFN

MAX8631X/Y

ELECTRICAL CHARACTERISTICS (continued)

($V_{IN} = 3.6V$, $V_{GND} = V_{PGND} = 0V$, $ENM1 = ENM2 = ENF = IN$, $R_{SETM} = R_{SETF} = 6.8k\Omega$, $P1 = P2 = \text{unconnected}$, $C_{REF} = 0.01\mu F$, $T_A = -40^\circ C$ to $+85^\circ C$, unless otherwise noted. Typical values are at $T_A = +25^\circ C$.) (Note 1)

PARAMETER	CONDITIONS	MIN	TYP	MAX	UNITS
1x to 1.5x or 1.5x to 2x Mode Transition Threshold		90	100	110	mV
Input Voltage-Mode Transition Hysteresis			150		mV
Charge-Pump Maximum OUT Current	$V_{IN} \geq 3.15V$, $V_{OUT} = 3.9V$	580			mA
Open-Loop OUT Resistance	1x mode, $(V_{IN} - V_{OUT}) / I_{OUT}$		0.3	1.0	Ω
	1.5x mode, $(1.5V_{IN} - V_{OUT}) / I_{OUT}$		1.1	4.0	
	2x mode, $(2V_{IN} - V_{OUT}) / I_{OUT}$		1.5	4.14	
Charge-Pump Short-Circuit Current	$V_{OUT} < 1.25V$		500		mA
Switching Frequency			1		MHz
OUT Pulldown Resistance in Shutdown	$ENM_ = ENF = GND$		5		k Ω
LED DRIVER					
SET_ Bias Voltage	$T_A = +25^\circ C$		0.6		V
SET_ Leakage in Shutdown	$ENM_ = ENF = GND$	$T_A = +25^\circ C$	0.01	1	μA
		$T_A = +85^\circ C$	0.1		
SET_ Current Range		10		145	μA
SETM-to-Main LED Current Ratio ($I_{M_} / I_{SETM}$)	100% setting, M1-M4		230		A/A
SETF-to-Flash LED Current Ratio ($I_{F_} / I_{SETF}$)	100% setting, F1-F4		690		A/A
M_, F_ Current Accuracy	$T_A = +25^\circ C$	-1.25		+1.25	%
	$T_A = -40^\circ C$ to current derating start temperature	-4		+4	
Maximum Main LED Sink Current	$R_{SETM} = 4.6k\Omega$, for each M_		30		mA
Maximum Flash LED Sink Current	$R_{SETF} = 4.12k\Omega$, $I_{F1} + I_{F2} + I_{F3} + I_{F4}$		400		mA
Current-Derating-Function Start Temperature			+40		$^\circ C$
Current-Derating-Function Slope	$T_A = +40^\circ C$ to $+85^\circ C$		-1.7		%/ $^\circ C$
Dropout Voltage	(Note 2)		40	90	mV
1.5x and 2x Regulation Voltage			150		mV
M_, F_ Leakage in Shutdown	$ENM_ = ENF = GND$	$T_A = +25^\circ C$	0.01	1	μA
		$T_A = +85^\circ C$	0.1		
LDO_					
Output Voltage Accuracy	$I_{LDO_} = 150mA$, relative to $V_{OUT(NOM)}$ (Note 3)	-1.7	0	+1.7	%
Output Current Range		0		200	mA
Current Limit	$V_{LDO_} = 0V$	280	475	750	mA
Soft-Start Current Limit			160		mA

1x/1.5x/2x White LED Charge Pump with Two LDOs in 4mm x 4mm Thin QFN

ELECTRICAL CHARACTERISTICS (continued)

($V_{IN} = 3.6V$, $V_{GND} = V_{PGND} = 0V$, $ENM1 = ENM2 = ENF = IN$, $R_{SETM} = R_{SETF} = 6.8k\Omega$, $P1 = P2 = \text{unconnected}$, $C_{REF} = 0.01\mu F$, $T_A = -40^\circ C \text{ to } +85^\circ C$, unless otherwise noted. Typical values are at $T_A = +25^\circ C$.) (Note 1)

PARAMETER	CONDITIONS	MIN	TYP	MAX	UNITS
Soft-Start Done Time			100		μs
Dropout Voltage	$I_{LDO_} = 200mA$ (Note 4)		120	320	mV
Load Regulation	$V_{IN} = 3.7V$, $100\mu A < I_{LDO_} < 200mA$			1.3	%
Power-Supply Rejection $\Delta V_{OUT}/\Delta V_{IN}$	10Hz to 10kHz, $C_{LDO_} = 1\mu F$, $I_{LDO_} = 10\mu A$		-60		dB
Output Noise Voltage (RMS)	10Hz to 100kHz, $C_{LDO_} = 1\mu F$, $I_{LDO_} = 10mA$		40		μV_{RMS}

Note 1: All devices are 100% production tested at $T_A = +25^\circ C$. Limits over the operating temperature range are guaranteed by design.

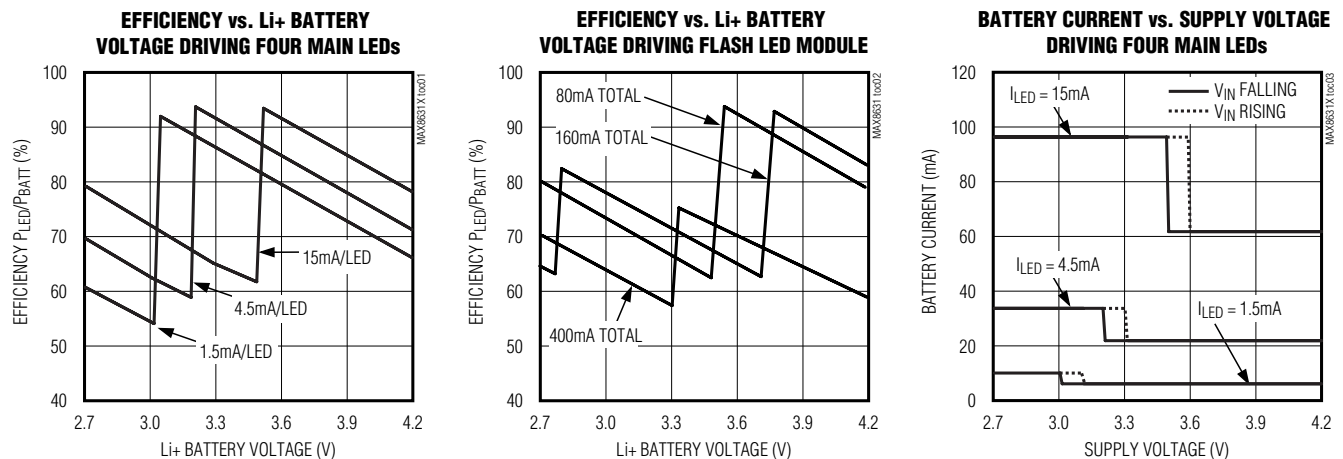
Note 2: LED dropout voltage is defined as the M_- or F_- to GND voltage at which current into M_- or F_- drops 10% from the value at M_- or $F_- = 0.2V$.

Note 3: (Greater of 2.7V or $(V_{LDO_} + 0.5V)) \leq V_{IN} \leq 5.5V$.

Note 4: LDO dropout voltage is defined as $V_{IN} - V_{OUT}$ when V_{OUT} is 100mV below the value of V_{OUT} measured when $V_{IN} = V_{OUT(NOM)} + 1V$. Since the minimum input voltage is 2.7V, this specification is only meaningful when $V_{OUT(NOM)} > 2.5V$.

Typical Operating Characteristics

($V_{IN} = V_{EN_} = 3.6V$, circuit of Figure 1, $T_A = +25^\circ C$, unless otherwise noted.)



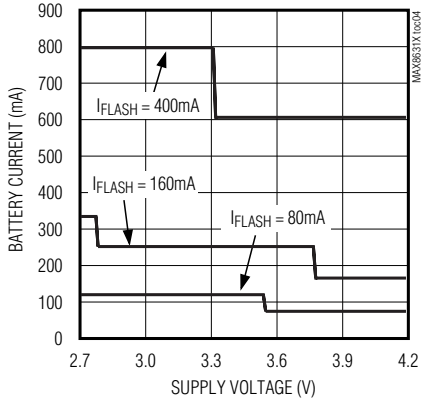
1x/1.5x/2x White LED Charge Pump with Two LDOs in 4mm x 4mm Thin QFN

Typical Operating Characteristics (continued)

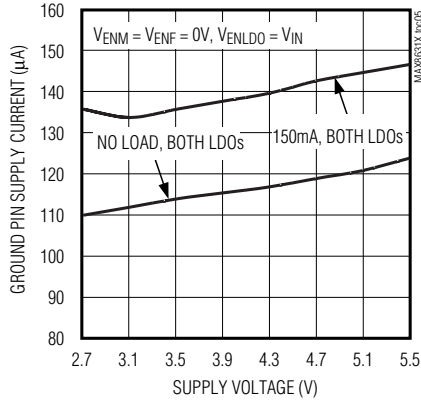
($V_{IN} = V_{EN-} = 3.6V$, circuit of Figure 1, $T_A = +25^\circ C$, unless otherwise noted.)

MAX8631X/Y

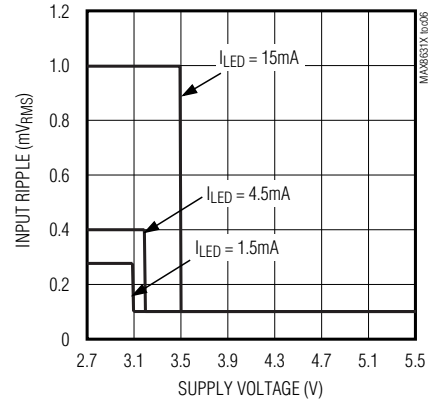
BATTERY CURRENT vs. SUPPLY VOLTAGE DRIVING FLASH



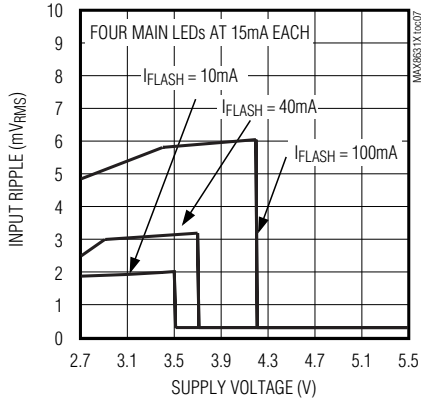
LDO GROUND PIN SUPPLY CURRENT vs. SUPPLY VOLTAGE



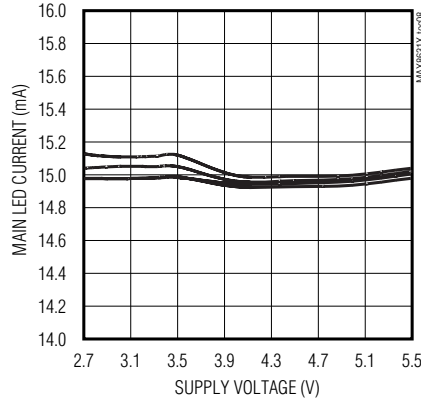
INPUT RIPPLE VOLTAGE vs. SUPPLY VOLTAGE WITH FOUR MAIN LEDs



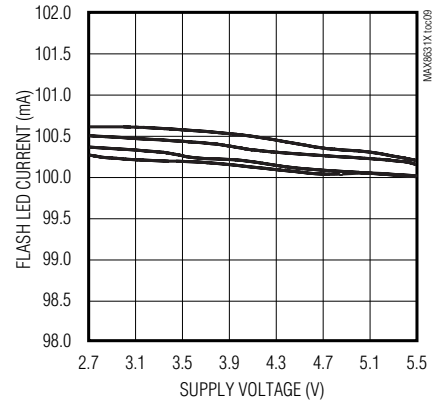
INPUT RIPPLE VOLTAGE vs. SUPPLY VOLTAGE WITH FLASH AND MAIN LEDs



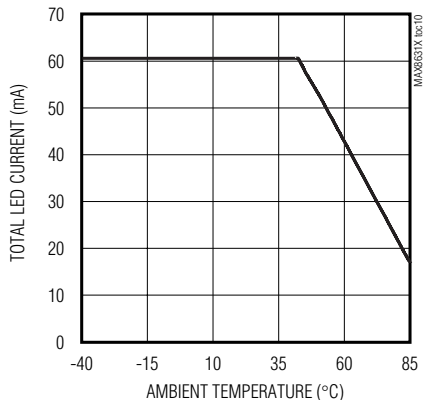
LED CURRENT MATCHING vs. SUPPLY VOLTAGE WITH FOUR MAIN LEDs



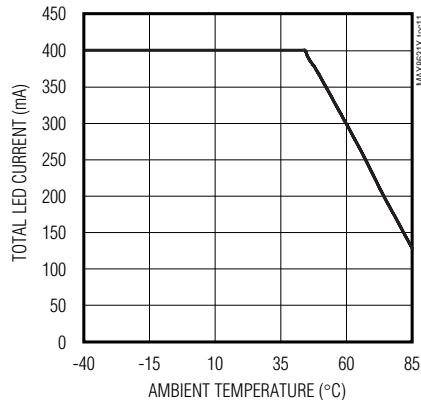
LED CURRENT MATCHING vs. SUPPLY VOLTAGE WITH FOUR FLASH LEDs



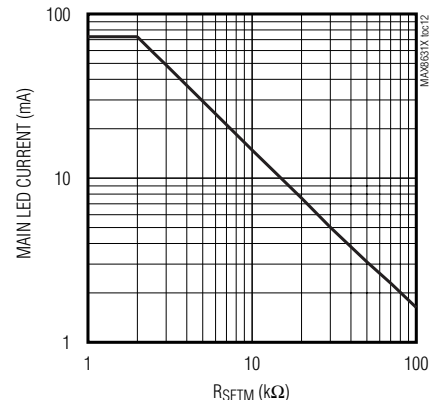
LED CURRENT vs. AMBIENT TEMPERATURE WITH FOUR MAIN LEDs



LED CURRENT vs. AMBIENT TEMPERATURE WITH FLASH



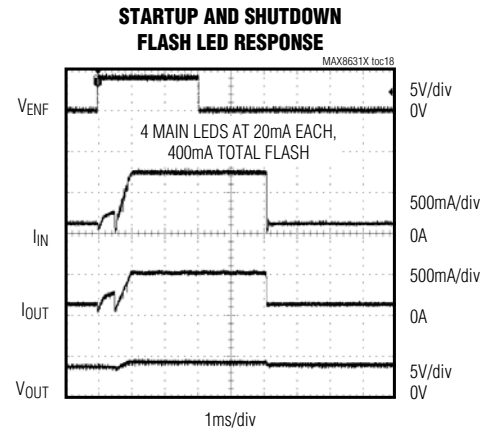
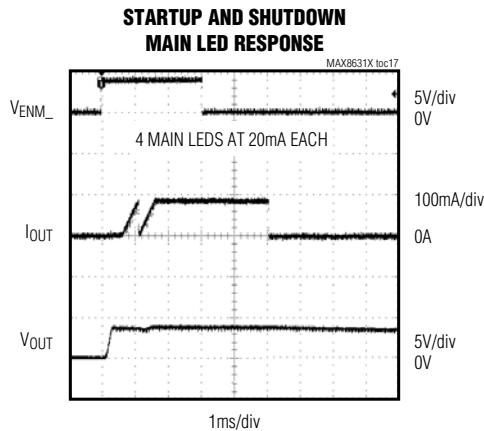
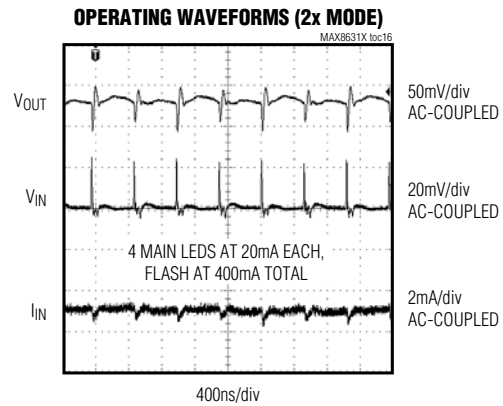
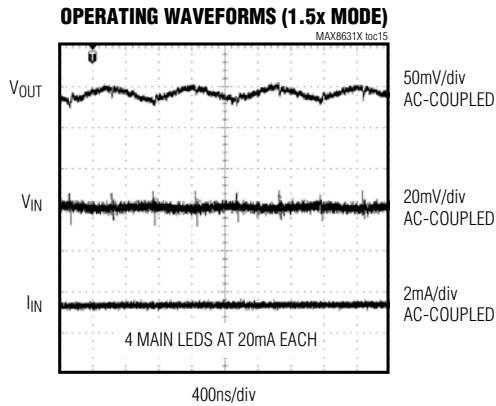
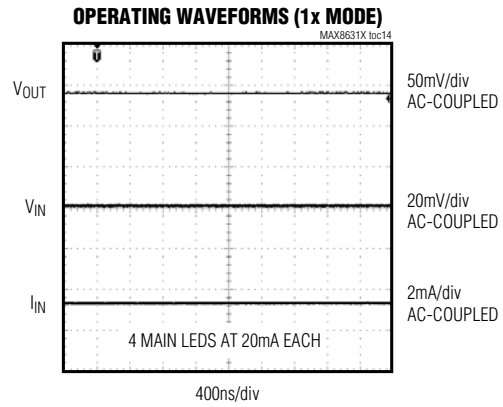
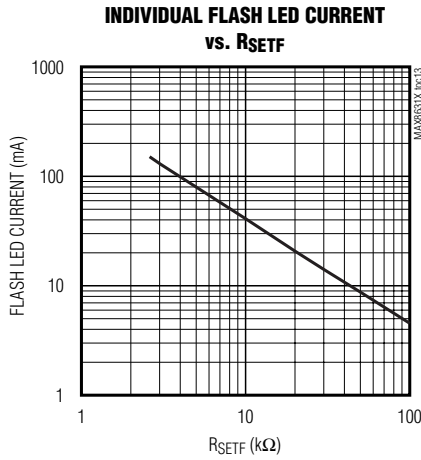
INDIVIDUAL MAIN LED CURRENT vs. R_SETM



1x/1.5x/2x White LED Charge Pump with Two LDOs in 4mm x 4mm Thin QFN

Typical Operating Characteristics (continued)

($V_{IN} = V_{EN_} = 3.6V$, Circuit of Figure 1, $T_A = +25^\circ C$, unless otherwise noted.)

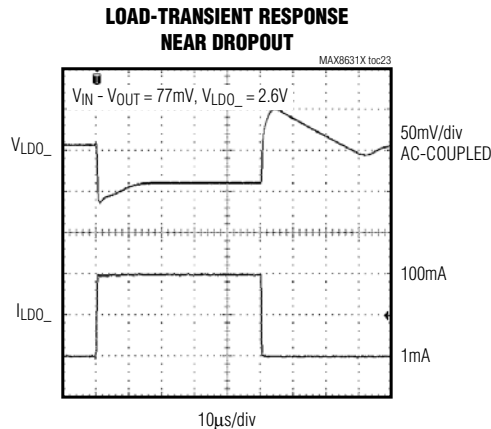
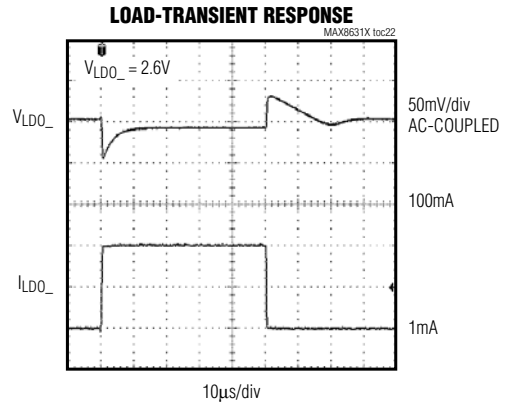
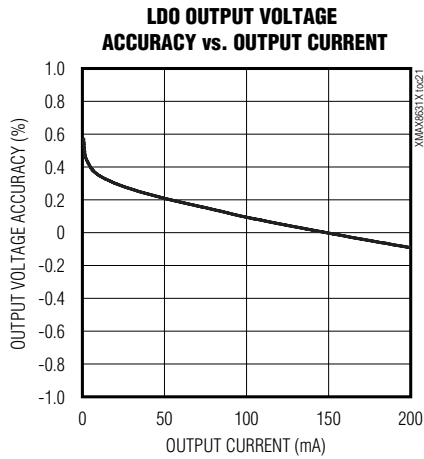
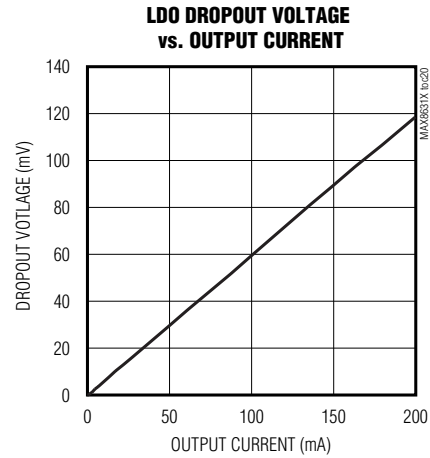
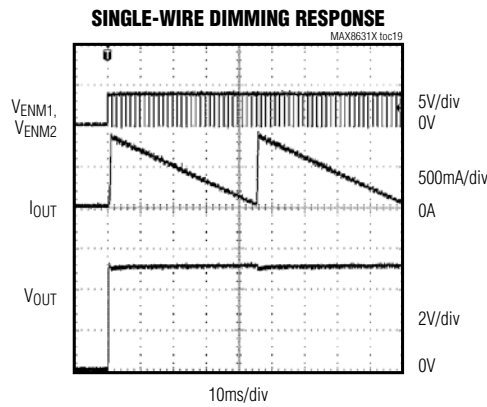


1x/1.5x/2x White LED Charge Pump with Two LDOs in 4mm x 4mm Thin QFN

Typical Operating Characteristics (continued)

($V_{IN} = V_{EN_} = 3.6V$, circuit of Figure 1, $T_A = +25^\circ C$, unless otherwise noted.)

MAX8631X/Y



1x/1.5x/2x White LED Charge Pump with Two LDOs in 4mm x 4mm Thin QFN

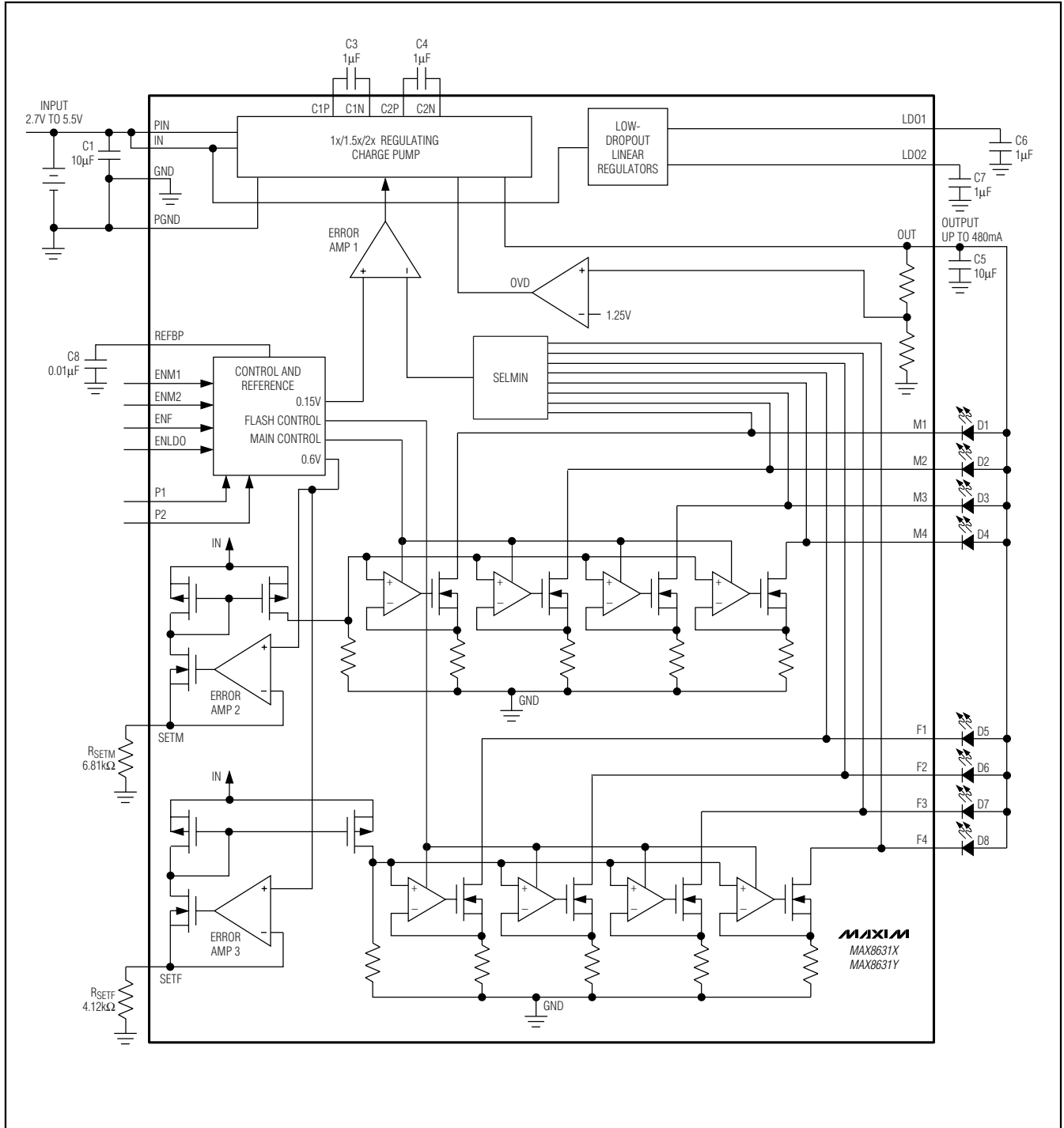


Figure 1. Functional Diagram and Application Circuit

1x/1.5x/2x White LED Charge Pump with Two LDOs in 4mm x 4mm Thin QFN

Pin Description

MAX8631X/Y

PIN	NAME	FUNCTION
1	PIN	Supply Voltage Input. Bypass to PGND with a 10 μ F ceramic capacitor. The input voltage range is 2.7V to 5.5V. PIN is high impedance during shutdown.
2	IN	Chip Supply Voltage Input. Bypass to GND with a 10 μ F ceramic capacitor as close to the IC as possible. The input voltage range is 2.7V to 5.5V. IN is high impedance during shutdown.
3	GND	Ground. Connect GND to system ground and the input bypass capacitor as close to the IC as possible.
4	LDO1	LDO1 Output. Bypass with a 1 μ F ceramic capacitor to GND. LDO1 is pulled to ground through an internal 400k Ω during shutdown.
5	LDO2	LDO2 Output. Bypass with a 1 μ F ceramic capacitor to GND. LDO2 is pulled to ground through an internal 400k Ω during shutdown.
6	REFBP	Reference Filter. Bypass REFBP with a 0.01 μ F ceramic capacitor to GND.
7	SETF	Bias Current Set Input for F1–F4. The current flowing out of SETF sets the maximum (100%) bias current into each LED. V_{SETF} is internally biased to 0.6V. Connect a resistor (R_{SETF}) from SETF to GND to set the flash current. $R_{SETF} = 414 / I_{LED(MAX)}$. SETF is high impedance during shutdown.
8	SETM	Bias Current Set Input for M1–M4. The current flowing out of SETM sets the maximum (100%) bias current into each LED. V_{SETM} is internally biased to 0.6V. Connect a resistor (R_{SETM}) from SETM to GND to set the main LED current. $R_{SETM} = 138 / I_{LED(MAX)}$. SETM is high impedance during shutdown.
9–12	F4–F1	400mA Combined Current Flash LED Cathode Connection and Charge-Pump Feedback. Current flowing into F_ is based on I_{SETF} . The charge pump regulates the lowest F_ voltage to 0.15V. Grounding any F_ input forces OUT to operate at approximately 5V. Connect F_ to OUT if this LED is not populated.
13–16	M4–M1	30mA Main LED Cathode Connection and Charge-Pump Feedback. Current flowing into M_ is based on the EN_ configuration and I_{SETM} . The charge pump regulates the lowest M_ input voltage to 0.15V. Grounding any M_ forces OUT to operate at approximately 5V. Connect M_ to OUT if this LED is not populated.
17	P2	Default Output-Voltage Select Input. P1 and P2 set the LDO1 and LDO2 voltages to one of nine combinations (Table 2). P2 is high impedance in an off condition and shortly after an on condition.
18	ENLDO	LDO Output Enable. Drive to a logic-level high to turn on both LDOs. Drive to a logic-level low to turn off both LDOs.
19	ENM2	Enable and Dimming Control for M1–M4. Drive both ENM1 and ENM2 to a logic-level high to turn on the main LEDs. Drive both ENM1 and ENM2 to a logic-level low to turn off the main LEDs. Alternate dimming techniques are discussed in the <i>Applications Information</i> section.
20	ENM1	Enable and Dimming Control for M1–M4. Drive both ENM1 and ENM2 to a logic-level high to turn on the main LEDs. Drive both ENM1 and ENM2 to a logic-level low to turn off the main LEDs. Alternate dimming techniques are discussed in the <i>Applications Information</i> section.
21	ENF	Enable and Dimming Control for F1–F4. Drive ENF to a logic-level high to turn on the flash LEDs. Drive ENF to a logic-level low to turn off the flash LEDs. Dimming techniques are discussed in the <i>Applications Information</i> section.
22	C1N	Transfer Capacitor 1 Negative Connection. Connect a 1 μ F ceramic capacitor between C1P and C1N. C1N is internally shorted to IN during shutdown.

1x/1.5x/2x White LED Charge Pump with Two LDOs in 4mm x 4mm Thin QFN

Pin Description (continued)

PIN	NAME	FUNCTION
23	C1P	Transfer Capacitor 1 Positive Connection. Connect a 1 μ F ceramic capacitor between C1P to C1N. During shutdown, if OUT > IN, C1P is shorted to OUT. If OUT < IN, C1P is shorted to IN.
24	PGND	Power Ground. Connect PGND to system ground. PGND is used for charge-pump switching currents.
25	OUT	Charge-Pump Output. Bypass OUT to GND with a 10 μ F ceramic capacitor. Connect to the anodes of all the LEDs. OUT is internally pulled to ground through a 5k Ω resistor during shutdown.
26	C2P	Transfer Capacitor 2 Positive Connection. Connect a 1 μ F ceramic capacitor between C2P to C2N. During shutdown, if OUT > IN, C2P is shorted to OUT. If OUT < IN, C2P is shorted to IN.
27	C2N	Transfer Capacitor 2 Negative Connection. Connect a 1 μ F ceramic capacitor between C2P and C2N. C2N is internally shorted to IN during shutdown.
28	P1	Default Output-Voltage Select Input. P1 and P2 set the LDO1 and LDO2 voltages to one of nine combinations (Table 2). P1 is high impedance in an off condition and shortly after an on condition.
—	EP	Exposed Paddle. Connect to GND and PGND.

Detailed Description

The MAX8631X/Y charge pump drives up to 4 white LEDs in the main display for backlighting and up to 4 white LEDs for flash, all with regulated constant current for uniform intensity. By utilizing adaptive 1x/1.5x/2x charge-pump modes and very-low-dropout current regulators, it achieves high efficiency over the 1-cell lithium-battery input voltage range. 1MHz fixed-frequency switching allows for tiny external components and low input ripple. Two on-board 200mA programmable-output-voltage LDOs are provided to meet camera-module requirements.

1x to 1.5x Switchover

When V_{IN} is higher than V_{OUT} , the MAX8631X/Y operates in 1x mode and V_{OUT} is pulled up to V_{IN} . The internal current regulators regulate the LED current. As V_{IN} drops, $V_{M_}$ (or $V_{F_}$) eventually falls below the switchover threshold of 100mV and the MAX8631X/Y starts switching in 1.5x mode. When the input voltage rises above V_{OUT} by approximately 50mV, the MAX8631X/Y switches back to 1x mode.

1.5x to 2x Switchover

When V_{IN} is less than V_{OUT} but greater than two-thirds V_{OUT} , the MAX8631X/Y operates in 1.5x mode. The internal current regulators regulate the LED current. As V_{IN} drops, $V_{M_}$ (or $V_{F_}$) eventually falls below the switchover threshold of 100mV, and the MAX8631X/Y starts switching in 2x mode. When the input voltage rises above two-thirds V_{OUT} by approximately 50mV, the MAX8631X/Y switches back to 1.5x mode.

True Shutdown is a trademark of Maxim Integrated Products, Inc.

Soft-Start

The MAX8631X/Y includes soft-start circuitry to limit inrush current at turn-on. Once the input voltage is applied, the output capacitor is charged directly from the input with a ramped current source (with no charge-pump action) until the output voltage approaches the input voltage. Once the output capacitor is charged, the charge pump determines if 1x, 1.5x, or 2x mode is required. In the case of 1x mode, the soft-start is terminated and normal operation begins. In the case of 1.5x or 2x mode, soft-start operates until the lowest voltage of M1–M4 and F1–F4 reaches regulation. If the output is shorted to ground or is pulled to less than 1.25V, the output current is limited by soft-start.

True Shutdown™ Mode

When ENM1, ENM2, and ENF are simultaneously held low for 2ms or longer, the MAX8631X/Y is shut down and put in a low-current shutdown mode, and the input is isolated from the output. OUT is internally pulled to GND with 5k Ω during shutdown.

Thermal Derating

The MAX8631X/Y limits the maximum LED current depending on the die temperature. The maximum LED current is set by the RSETM and RSETF resistors. Once the temperature reaches +43°C, the LED current decreases by 1.7%/°C. Due to the package's exposed paddle, the die temperature is always very close to the PC board temperature.

The temperature derating function allows the LED current to be safely set higher at normal operating temperatures, thereby allowing either a brighter display or fewer LEDs to be used for normal display brightness.

1x/1.5x/2x White LED Charge Pump with Two LDOs in 4mm x 4mm Thin QFN

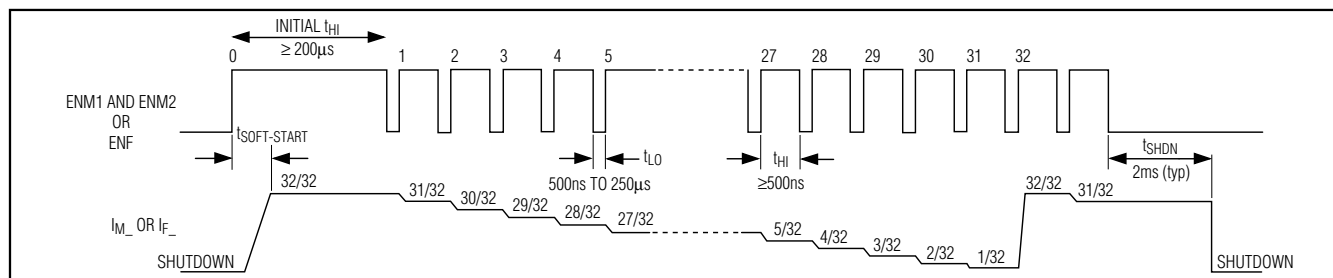


Figure 2. ENM_ and ENF Timing Diagram

Thermal Shutdown

The MAX8631X/Y includes a thermal-limit circuit that shuts down the IC at approximately +160°C. Turn-on occurs after the IC cools by approximately 20°C.

Applications Information

Setting the Main Output Current

SETM controls M1–M4 regulation current. Current flowing into M1, M2, M3, and M4 is a multiple of the current flowing out of SETM:

$$I_{M1} = I_{M2} = I_{M3} = I_{M4} = K \times (0.6V / R_{SETM})$$

where K = 23, 69, or 230 (depending upon the state of ENM1 and ENM2; see Table 1), and R_{SETM} is the resistor connected between SETM and GND (see the *Typical Operating Circuit*).

Table 1. ENM1/ENM2 States

ENM1/ENM2 STATES	BRIGHTNESS	M1–M4 CURRENT
ENM1 = low, ENM2 = low	Shutdown	0
ENM1 = low, ENM2 = high	1/10 brightness	23 x I _{SETM}
ENM1 = high, ENM2 = low	3/10 brightness	69 x I _{SETM}
ENM1 = high, ENM2 = high	Full brightness	230 x I _{SETM}

Setting the Flash Output Current

SETF controls the F1–F4 regulation current. Current flowing into F1, F2, F3, and F4 is a multiple of the current flowing out of SETF.

$$I_{F1} = I_{F2} = I_{F3} = I_{F4} = N \times (0.6V / R_{SETF})$$

where N = 690.

Single-Wire Pulse Dimming

For more dimming flexibility or to reduce the number of control traces, the MAX8631X/Y supports serial pulse dimming. Connect ENM1 and ENM2 together to enable single-wire pulse dimming of the main LEDs (or ENF only for single-wire pulse dimming of the flash LEDs). When ENM1 and ENM2 (or ENF) go high simultaneous-

ly, the main (or flash) LEDs are enabled at full brightness. Each subsequent low-going pulse (500ns to 250µs pulse width) reduces the LED current by 3.125% (1/32), so after one pulse the LED current is 96.9% (or 31/32) x I_{LED}. The 31st pulse reduces the current to 0.03125 x I_{LED}. The 32nd pulse sets the LED current back to I_{LED}. Figure 2 shows a timing diagram for single-wire pulse dimming. Because soft-start is longer than the initial t_{HI}, apply dimming pulses quickly upon startup (after initial t_{HI}) to avoid LED current transitioning through full brightness.

Simple On/Off Control

If dimming control is not required, connect ENM1 to ENM2 for simple on/off control. Drive both ENM1 and ENM2 to a logic-level high to turn on the main LEDs. Drive both ENM1 and ENM2 to a logic-level low to turn off the main LEDs. ENF is the simple on/off control for the flash LEDs. Drive ENF to a logic-level high to turn on the flash LEDs. Drive ENF to a logic-level low to turn off the flash LEDs. In this case, LED current is set by the values of R_{SETM} and R_{SETF}.

Dimming Using PWM into ENM1

Use ENM2 for shutdown and drive ENM1 with a PWM signal. LED brightness can be varied from 10% to full brightness based upon the duty cycle of the PWM signal. Drive ENM2 high to keep the IC on, eliminating any soft-start delay that would impede PWM control and allowing a PWM frequency up to 5kHz (Figure 3).

Driving Fewer than 8 LEDs

When driving fewer than 8 LEDs, two different connection schemes can be used. The first scheme is shown in Figure 4 where LED drivers are connected together. This method allows increased current through the LED and effectively allows total LED current to be I_{LED} multiplied by the number of connected drivers. The second method of connection is shown in Figure 5 where standard white LEDs are used and fewer than 8 are connected. This scheme does not alter current through each LED but ensures that the unused LED driver is properly disabled.

1x/1.5x/2x White LED Charge Pump with Two LDOs in 4mm x 4mm Thin QFN

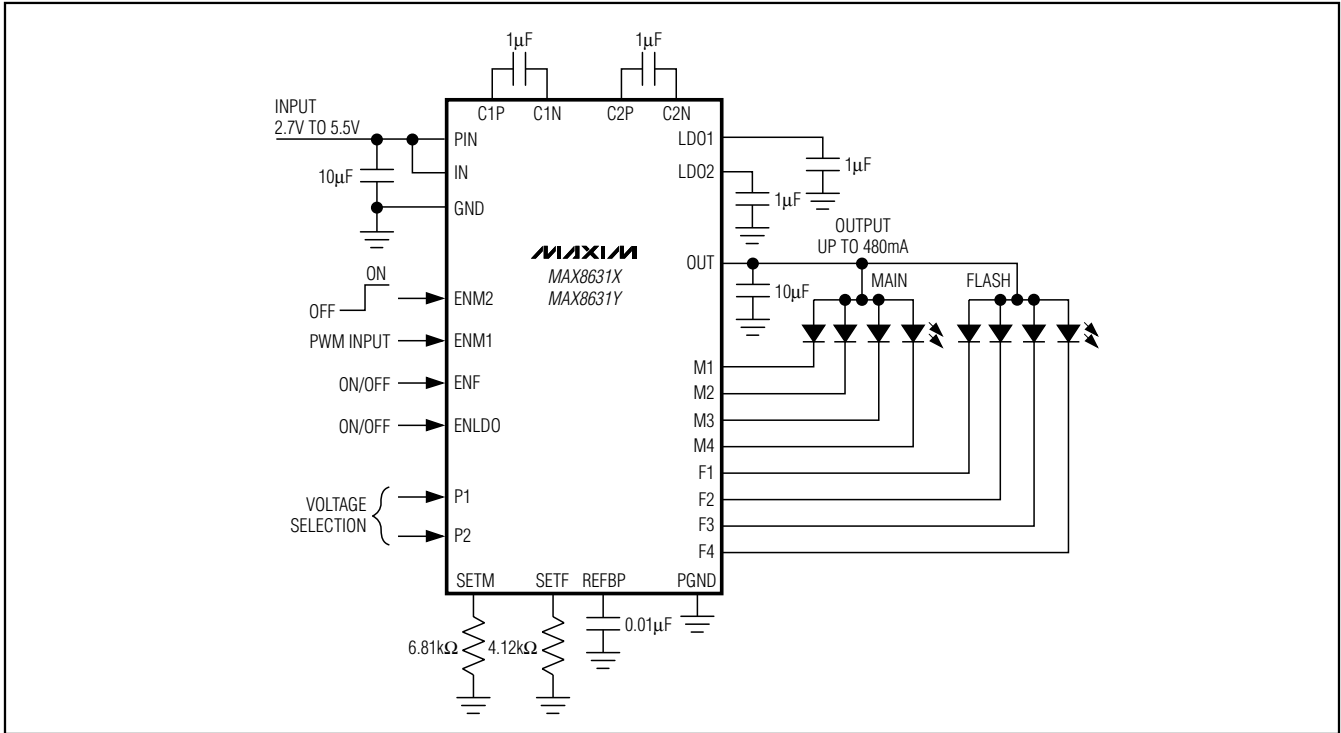


Figure 3. Dimming Using PWM Signal into ENM1

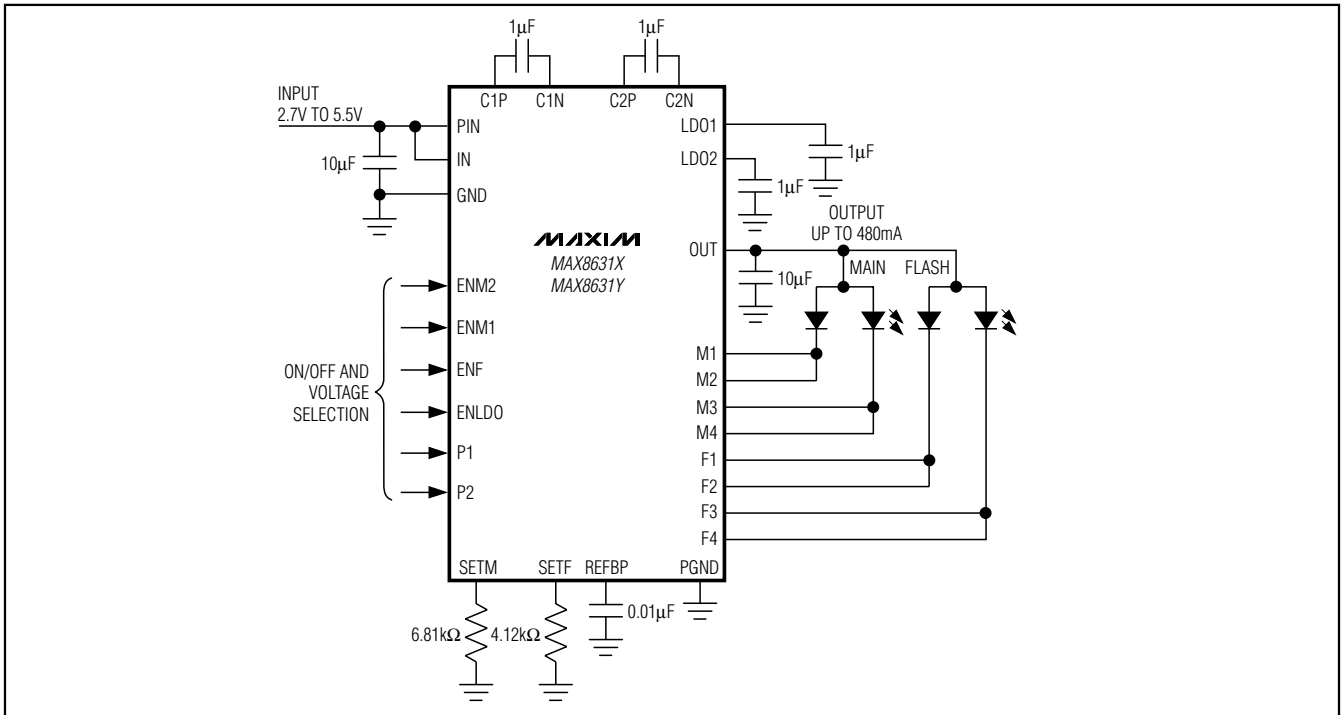


Figure 4. Providing Increased LED Current per LED

1x/1.5x/2x White LED Charge Pump with Two LDOs in 4mm x 4mm Thin QFN

MAX8631X/Y

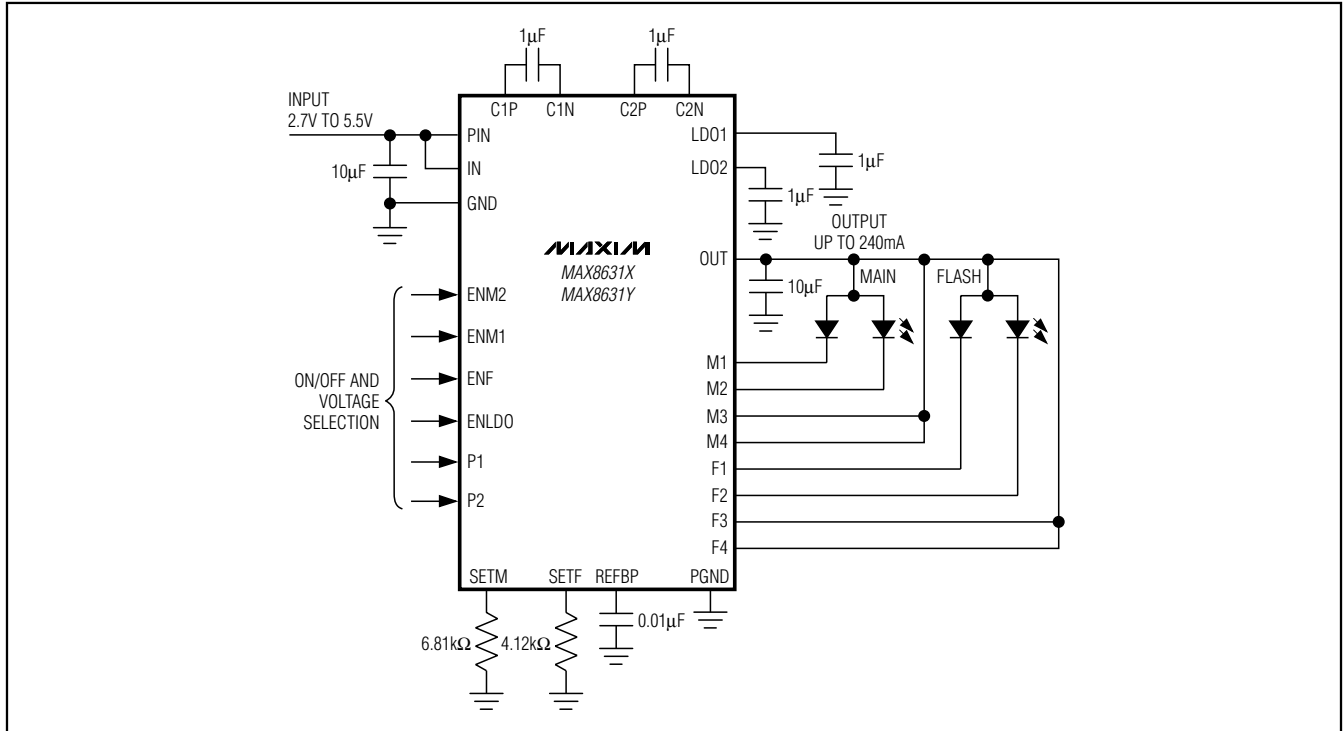


Figure 5. Schematic for When Fewer than 8 LEDs Is Acceptable

Input Ripple

For LED drivers, input ripple is more important than output ripple. Input ripple is highly dependent on the source supply's impedance. Adding a lowpass filter to the input further reduces input ripple. Alternately, increasing C_{IN} to 22µF cuts input ripple in half with only a small increase in footprint. The 1x mode always has very low input ripple.

Typical operating waveforms shown in the *Typical Operating Characteristics* show input ripple current in 1x, 1.5x, and 2x mode.

LDO Output Voltage Selection (P1 and P2)

As shown in Table 2, the LDO output voltages, LDO1 and LDO2 are pin-programmable by the logic states of P1 and P2. P1 and P2 are tri-level inputs: IN, open, and GND. The input voltage, V_{IN} , must be greater than the selected LDO1 and LDO2 voltages. The logic states of P1 and P2 can be programmed only during ENLDO low. Once the LDO_ voltages are programmed, their values do not change by changing P1 or P2 during ENLDO high.

Component Selection

Use only ceramic capacitors with an X5R, X7R, or better dielectric. See Table 3 for a list of recommended parts.

Table 2. P1 and P2, LDO Output Voltage Selection

P1	P2	MAX8631X		MAX8631Y	
		LDO1 (V)	LDO2 (V)	LDO1 (V)	LDO2 (V)
IN	IN	3.3	1.8	2.8	2.6
IN	OPEN	3.0	1.5	2.8	2.8
IN	GND	2.8	1.5	2.9	1.5
OPEN	IN	3.3	1.5	2.6	1.9
OPEN	OPEN	2.6	1.8	2.6	2.6
OPEN	GND	2.6	1.5	2.8	1.9
GND	IN	3.0	1.8	2.9	1.8
GND	OPEN	2.8	1.8	2.9	1.9
GND	GND	2.5	1.8	2.9	2.9

Connect a 1µF ceramic capacitor between LDO1 and GND, and a second 1µF ceramic capacitor between LDO2 and GND for 200mA applications. The LDO output capacitor's (C_{LDO}) equivalent series resistance (ESR) affects stability and output noise. Use output capacitors with an ESR of 0.1Ω or less to ensure stability and optimum transient response. Connect C_{LDO} as close to the MAX8631X/Y as possible to minimize the impact of PC board trace inductance.

1x/1.5x/2x White LED Charge Pump with Two LDOs in 4mm x 4mm Thin QFN

Table 3. Recommended Components for Figure 1

DESIGNATION	VALUE	MANUFACTURER	PART NUMBER	DESCRIPTION
C1, C5	10 μ F	TDK	C2012X5R0J106M	10 μ F \pm 20%, 6.3V X5R ceramic capacitors (0805)
C3, C4, C6, C7	1 μ F	TDK	C1005X5R0J105M	1 μ F \pm 20%, 6.3V X5R ceramic capacitors (0402)
C8	0.01 μ F	TDK	C1005X7R1E103K	0.01 μ F \pm 10%, 25V X7R ceramic capacitor (0402)
D1–D4	—	Nichia	NSCW215T	White LEDs
D5 (D5–D8)	—	Nichia	NBCW011T	White LEDs, 4 LEDs in one package
RSETM, RSETF	As Required	Panasonic Vishay	—	1% resistor

PC Board Layout and Routing

The MAX8631X/Y is a high-frequency switched-capacitor voltage regulator. For best circuit performance, use a solid ground plane and place C_{IN}, C_{OUT}, C3, and C4 as close to the MAX8631X/Y as possible. There should be no vias on C_{IN}. Connect GND and PGND to the exposed paddle directly under the IC. Refer to the MAX8631X/Y evaluation kit for an example.

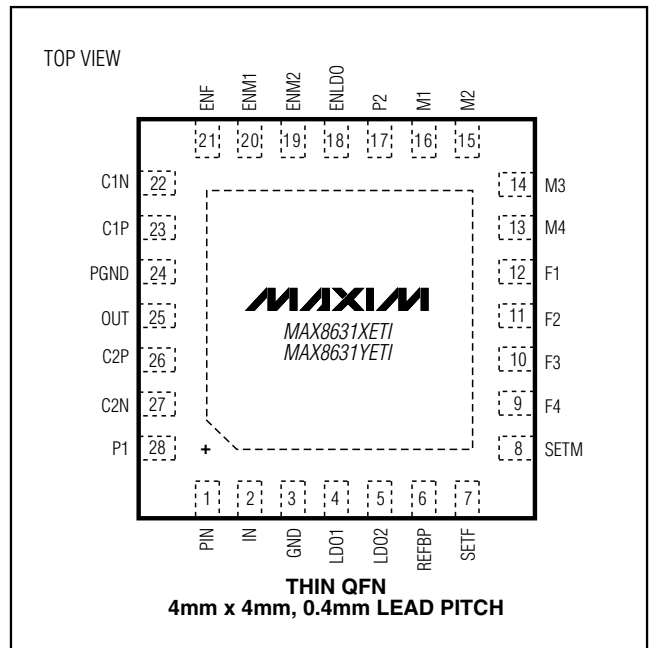
Chip Information

PROCESS: BICMOS

Revision History

Pages changed at Rev 2: 1, 7, 13, 14, 15

Pin Configuration



1x/1.5x/2x White LED Charge Pump with Two LDOs in 4mm x 4mm Thin QFN

Package Information (continued)

(The package drawing(s) in this data sheet may not reflect the most current specifications. For the latest package outline information go to www.maxim-ic.com/packages.)

COMMON DIMENSIONS															
PKG	12L 4x4			16L 4x4			20L 4x4			24L 4x4			28L 4x4		
REF.	MIN.	NOM.	MAX.	MIN.	NOM.	MAX.	MIN.	NOM.	MAX.	MIN.	NOM.	MAX.	MIN.	NOM.	MAX.
A	0.70	0.75	0.80	0.70	0.75	0.80	0.70	0.75	0.80	0.70	0.75	0.80	0.70	0.75	0.80
A1	0.0	0.02	0.05	0.0	0.02	0.05	0.0	0.02	0.05	0.0	0.02	0.05	0.0	0.02	0.05
A2	0.20 REF			0.20 REF			0.20 REF			0.20 REF			0.20 REF		
b	0.25	0.30	0.35	0.25	0.30	0.35	0.20	0.25	0.30	0.18	0.23	0.30	0.15	0.20	0.25
D	3.90	4.00	4.10	3.90	4.00	4.10	3.90	4.00	4.10	3.90	4.00	4.10	3.90	4.00	4.10
E	3.90	4.00	4.10	3.90	4.00	4.10	3.90	4.00	4.10	3.90	4.00	4.10	3.90	4.00	4.10
e	0.80 BSC.			0.65 BSC.			0.50 BSC.			0.50 BSC.			0.40 BSC.		
k	0.25	-	-	0.25	-	-	0.25	-	-	0.25	-	-	0.25	-	-
L	0.45	0.55	0.65	0.45	0.55	0.65	0.45	0.55	0.65	0.30	0.40	0.50	0.30	0.40	0.50
N	12			16			20			24			28		
ND	3			4			5			6			7		
NE	3			4			5			6			7		
JeDEC Var.	VGG3			VGGC			WGGD-1			WGGD-2			VGGE		

EXPOSED PAD VARIATIONS							
PKG. CODES	D2			E2			DOWN BONDS ALLOWED
	MIN.	NOM.	MAX.	MIN.	NOM.	MAX.	
T1244-3	1.95	2.10	2.25	1.95	2.10	2.25	YES
T1244-4	1.95	2.10	2.25	1.95	2.10	2.25	NO
T1644-3	1.95	2.10	2.25	1.95	2.10	2.25	YES
T1644-4	1.95	2.10	2.25	1.95	2.10	2.25	NO
T2044-2	1.95	2.10	2.25	1.95	2.10	2.25	YES
T2044-3	1.95	2.10	2.25	1.95	2.10	2.25	NO
T2444-2	1.95	2.10	2.25	1.95	2.10	2.25	YES
T2444-3	2.45	2.60	2.63	2.45	2.60	2.63	YES
T2444-4	2.45	2.60	2.63	2.45	2.60	2.63	NO
T2844-1	2.50	2.60	2.70	2.50	2.60	2.70	NO

NOTES:

1. DIMENSIONING & TOLERANCING CONFORM TO ASME Y14.5M-1994.
2. ALL DIMENSIONS ARE IN MILLIMETERS. ANGLES ARE IN DEGREES.
3. N IS THE TOTAL NUMBER OF TERMINALS.
4. THE TERMINAL #1 IDENTIFIER AND TERMINAL NUMBERING CONVENTION SHALL CONFORM TO JEDEC 95-1 SPP-012. DETAILS OF TERMINAL #1 IDENTIFIER ARE OPTIONAL, BUT MUST BE LOCATED WITHIN THE ZONE INDICATED. THE TERMINAL #1 IDENTIFIER MAY BE EITHER A MOLD OR MARKED FEATURE.
5. DIMENSION b APPLIES TO METALLIZED TERMINAL AND IS MEASURED BETWEEN 0.25 mm AND 0.30 mm FROM TERMINAL TIP.
6. ND AND NE REFER TO THE NUMBER OF TERMINALS ON EACH D AND E SIDE RESPECTIVELY.
7. DEPOPULATION IS POSSIBLE IN A SYMMETRICAL FASHION.
8. COPLANARITY APPLIES TO THE EXPOSED HEAT SINK SLUG AS WELL AS THE TERMINALS.
9. DRAWING CONFORMS TO JEDEC M0220, EXCEPT FOR T2444-3, T2444-4 AND T2844-1.
10. MARKING IS FOR PACKAGE ORIENTATION REFERENCE ONLY.
11. COPLANARITY SHALL NOT EXCEED 0.08mm
12. WARPAGE SHALL NOT EXCEED 0.10mm
13. LEAD CENTERLINES TO BE AT TRUE POSITION AS DEFINED BY BASIC DIMENSION "e", ±0.05.
14. NUMBER OF LEADS SHOWN ARE FOR REFERENCE ONLY

-DRAWING NOT TO SCALE-

		
TITLE: PACKAGE OUTLINE, 12, 16, 20, 24, 28L THIN QFN, 4x4x0.8mm		
APPROVAL	DOCUMENT CONTROL NO. 21-0139	REV. E 2/2

Maxim cannot assume responsibility for use of any circuitry other than circuitry entirely embodied in a Maxim product. No circuit patent licenses are implied. Maxim reserves the right to change the circuitry and specifications without notice at any time.

16 **Maxim Integrated Products, 120 San Gabriel Drive, Sunnyvale, CA 94086 408-737-7600**



SITE SEARCH

PART NO. SEARCH

MAX8631X

Part Number Table

Notes:

1. See the [MAX8631X QuickView Data Sheet](#) for further information on this product family or download the [MAX8631X full data sheet](#) (PDF, 332kB).
2. Other options and links for purchasing parts are listed at: <http://www.maxim-ic.com/sales>.
3. [Didn't Find What You Need?](#) Ask our applications engineers. Expert assistance in finding parts, usually within one business day.
4. Part number suffixes: T or T&R = tape and reel; + = RoHS/lead-free; # = RoHS/lead-exempt. More: See [full data sheet](#) or [Part Naming Conventions](#).
5. * Some packages have variations, listed on the drawing. "PkgCode/Variation" tells which variation the product uses.

Part Number	Free Sample	Buy Direct	Package: TYPE PINS SIZE DRAWING CODE/VAR *	Temp	RoHS/Lead-Free? Materials Analysis
MAX8631XETI+G104	<input type="button" value="Sample"/>	<input type="button" value="Buy"/>		-40°C to +85°C	RoHS/Lead-Free: Yes
MAX8631XETI+W	<input type="button" value="Sample"/>	<input type="button" value="Buy"/>	THIN QFN;28 pin;4X4X0.8mm Dwg: 21-0139E (PDF) Use pkgcode/variation: T2844+1*	-40°C to +85°C	RoHS/Lead-Free: Yes Materials Analysis
MAX8631XETI+TW		<input type="button" value="Buy"/>	THIN QFN;28 pin;4X4X0.8mm Dwg: 21-0139E (PDF) Use pkgcode/variation: T2844+1*	-40°C to +85°C	RoHS/Lead-Free: Yes Materials Analysis
MAX8631XETI+	<input type="button" value="Sample"/>	<input type="button" value="Buy"/>	THIN QFN;28 pin;4X4X0.8mm Dwg: 21-0139E (PDF) Use pkgcode/variation: T2844+1*	-40°C to +85°C	RoHS/Lead-Free: Yes Materials Analysis
MAX8631XETI+T		<input type="button" value="Buy"/>	THIN QFN;28 pin;4X4X0.8mm Dwg: 21-0139E (PDF) Use pkgcode/variation: T2844+1*	-40°C to +85°C	RoHS/Lead-Free: Yes Materials Analysis
MAX8631XETI	<input type="button" value="Sample"/>	<input type="button" value="Buy"/>	THIN QFN;28 pin;4X4X0.8mm Dwg: 21-0139E (PDF)	-40°C to +85°C	RoHS/Lead-Free: No Materials Analysis

MAX8631XETI-T

Buy

Use pkgcode/variation: T2844-1*

THIN QFN;28 pin;4X4X0.8mm

Dwg: [21-0139E](#) (PDF)

Use pkgcode/variation: T2844-1*

-40°C to +85°C RoHS/Lead-Free: [No Materials Analysis](#)

[Didn't Find What You Need?](#)



CONTACT US: FEEDBACK, QUESTIONS



RATE THIS PAGE



MAIL THIS PAGE

Copyright © 2007 by Maxim Integrated Products, Dallas Semiconductor • [Legal Notices](#) • [Privacy Policy](#)

SITE
SEARCHPART NO.
SEARCH

MAX8631Y

Part Number Table

Notes:

1. See the [MAX8631Y QuickView Data Sheet](#) for further information on this product family or download the [MAX8631Y full data sheet](#) (PDF, 332kB).
2. Other options and links for purchasing parts are listed at: <http://www.maxim-ic.com/sales>.
3. [Didn't Find What You Need?](#) Ask our applications engineers. Expert assistance in finding parts, usually within one business day.
4. Part number suffixes: T or T&R = tape and reel; + = RoHS/lead-free; # = RoHS/lead-exempt. More: See [full data sheet](#) or [Part Naming Conventions](#).
5. * Some packages have variations, listed on the drawing. "PkgCode/Variation" tells which variation the product uses.

Part Number	Free Sample	Buy Direct	Package: TYPE PINS SIZE DRAWING CODE/VAR *	Temp	RoHS/Lead-Free? Materials Analysis
MAX8631YETI+W	<input type="button" value="Sample"/>	<input type="button" value="Buy"/>	THIN QFN;28 pin;4X4X0.8mm Dwg: 21-0139E (PDF) Use pkgcode/variation: T2844+1*	-40°C to +85°C	RoHS/Lead-Free: Yes Materials Analysis
MAX8631YETI+TW		<input type="button" value="Buy"/>	THIN QFN;28 pin;4X4X0.8mm Dwg: 21-0139E (PDF) Use pkgcode/variation: T2844+1*	-40°C to +85°C	RoHS/Lead-Free: Yes Materials Analysis
MAX8631YETI+	<input type="button" value="Sample"/>	<input type="button" value="Buy"/>	THIN QFN;28 pin;4X4X0.8mm Dwg: 21-0139E (PDF) Use pkgcode/variation: T2844+1*	-40°C to +85°C	RoHS/Lead-Free: Yes Materials Analysis
MAX8631YETI+T		<input type="button" value="Buy"/>	THIN QFN;28 pin;4X4X0.8mm Dwg: 21-0139E (PDF) Use pkgcode/variation: T2844+1*	-40°C to +85°C	RoHS/Lead-Free: Yes Materials Analysis

[Didn't Find What You Need?](#)[CONTACT US: SEND US AN EMAIL](#)

