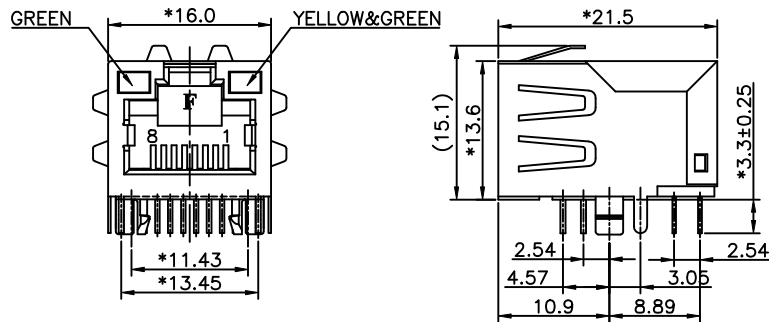
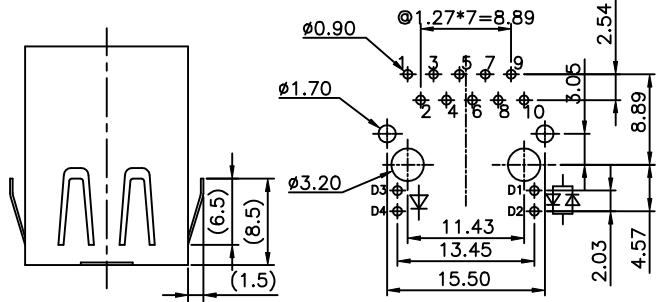
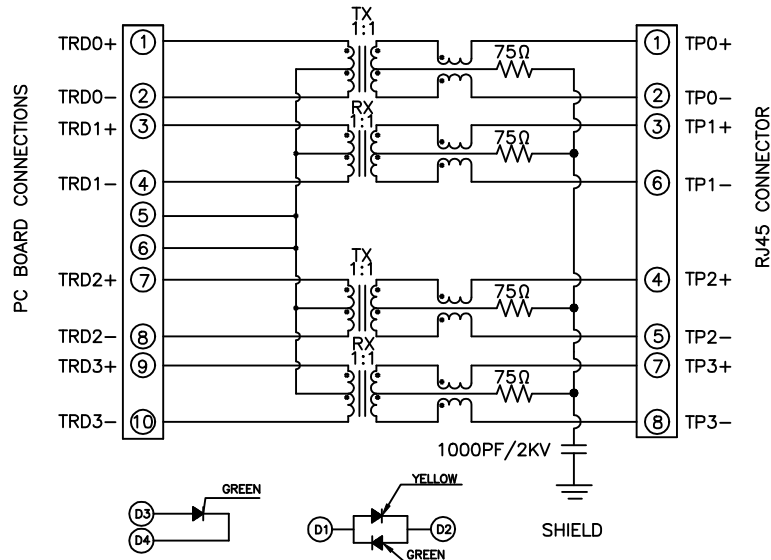


REVISION RECORD				
REV	ECO	DESCRIPTION	DRFT	CHKD



Schematic:



NOTES:

Characteristics Description:

1. RJ45 10/1000 Base-Tx Transformer Jack With Transformer/ Impedance Resistor/High Voltage Capacitor.
2. Size Same As RJ-45 Modular Jack To Save PCB Board Space.
3. Reduce EMI Radiation, Improve EMI Performance.
4. Designed For Network Interface Card Application.
5. Designed To Meet IEEE 802.3u Requirement.
6. Designed For 100 Base Transmission over UTP-5 Cable.
7. Operation Temperature Range: 0°c To 70°c

Electrical Specification:

1. Insertion Loss: 0.5 dB MAX @ 1-60 MHZ
1.0 dB MAX @ 60-100 MHZ
1.2 dB MAX @ 100-125 MHZ
2. Return Loss: 16 dB MIN @ 1-30 MHZ. Load 100 OHM
13.5 dB MIN @ 30-40 MHZ. Load 100 OHM
11.5 dB MIN @ 40-50 MHZ. Load 100 OHM
10.0 dB MIN @ 50-80 MHZ. Load 100 OHM
3. Cross Talk: 40 dB MIN @ 1-30 MHZ
35 dB MIN @ 30-60 MHZ
30 dB MIN @ 60-100 MHZ
4. CMRR: 30 dB MIN @ 1-100 MHZ
5. Isolation @ 60 HZ: INPUT TO OUTPUT 1500 Vrms, 1 Minute.
6. Primary Inductance: @ 100 KHZ, 0.1 Vrms, 8 mA DC Bias: 350 uH MIN.

Mechanical:

1. Housing Material : NYLON+30%.G.F(FR52) UL94V-0
2. Insert Material : NYLON+25%.G.F(FR50) UL94V-0
OR Glass Filled Polyester UL94V-0.
3. Contact Mateial : Phosphor Bronze t=0.35mm.
4. Plating : 1:Contact Area- Selectine Gold Plating.
2:Tails- Tin-Lead Over Nickel.
5. Operating Life : 750 Cycles Min.
6. Pcb Retention Pre-Solder : 1 Lb Min.
7. Pcb Retention Post-Solder : 10 Lbs Min.

Environmental:

1. Storage : -40°c To+85°c.
 2. Wave Soldering Temperature: 255~265° C(5~10 SECONDS)
Mates With Modular Plug Conforming To
Fcc Part 68, Subpart F.
- Part Number: E5TAB-YAGAXX-L

Gold Plating:
1-3u" 2-6u" 3-15u"
4-30u" 5-50u"
1-W/"F" LOGO
0-W/O "F" LOGO

MM (INCH)		DFTO LIJXIN	DATE 07/09/05'	FULL RISE ELECTRONIC CO., LTD	
TOLERANCES EXCEPT AS NOTED		CHKDSAMMY	DATE2005/07/11		
MM	±	MFO	DATE	TITLE	
.0 ±0.20	±	APPVLLUSHENG	DATE2005/07/11	Latch UP Tr's LED JACK(1X1)	
.00 ±0.15	±	MATERIAL :		DRAWING NO. GE5T3148-LB	
.000 ±0.075	±	ANGLES ±		/PART NO. SEE NOTE	
THIRD ANGLE PROJECTION		QT'Y :		SIZE	REV
SCALE : 2:1		FINISH :		A3	0
DO NOT SCALE DRAWING		SCALE : 2:1		07/09/05'	A
SHEET 1			OF 1		