

# 68 Position PC Card Receptacle with Ground Clip

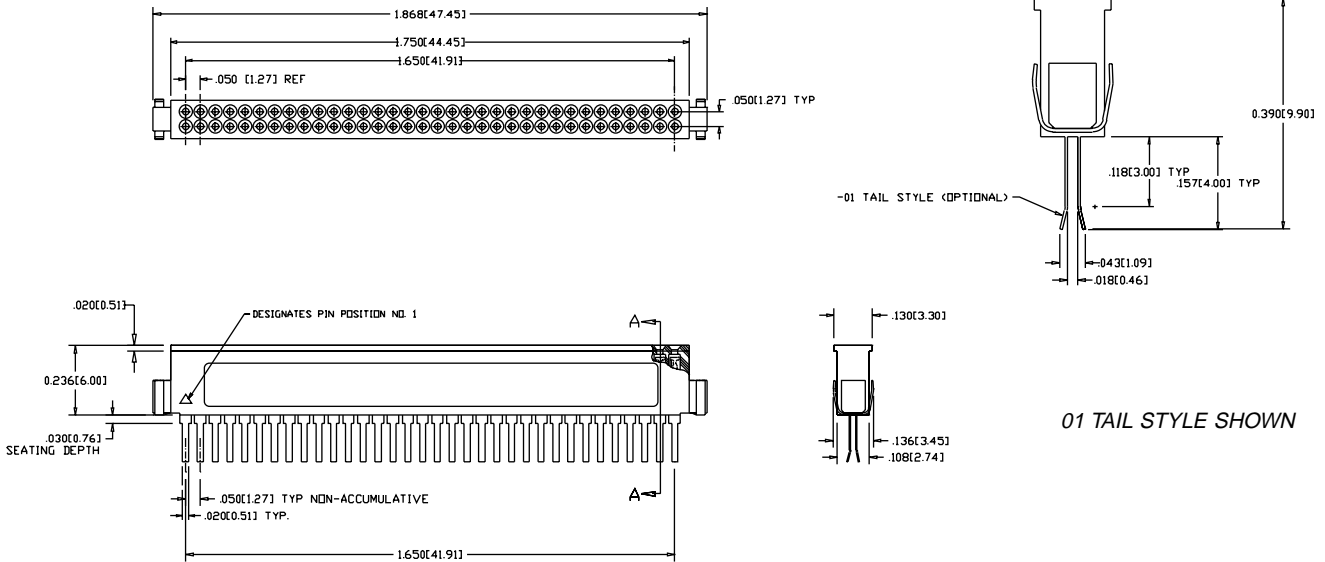
Patent No. 5,920,460



## Features

- Integral ground clip eliminates the need for board mounted ground contacts and additional solder pads
- Flexible contact tail forming offers alternatives for custom applications
- Durable contact design withstands repeated card insertions in excess of 10,000 cycles
- Meets PC Card standards
- Materials are compatible with high temperature soldering processes
- Also offered with 50 Position Compact Flash Receptacle

## Specifications



PART NUMBER

**952-13-68-XGCXX-90XX**

**PACKAGING**

TR=TAPE AND REEL  
(OPTIONAL)

**TAIL STYLE**

(see pages 9-12)

**PACKAGING**

1 = 1 GROUND CLIP

2 = 2 GROUND CLIPS