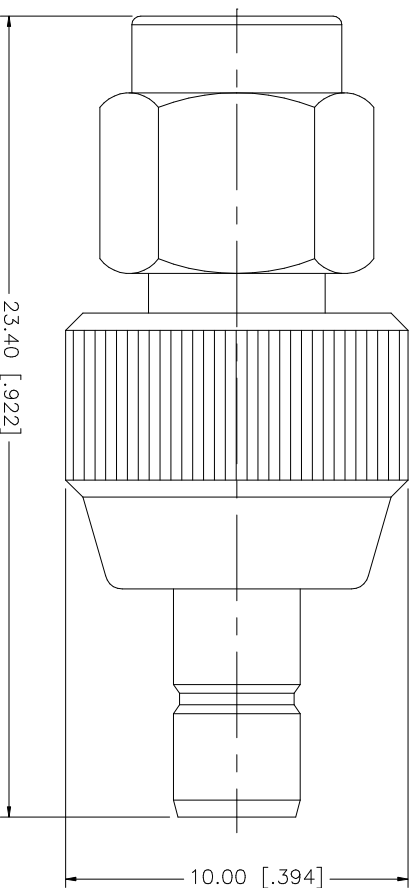


REV.	DATE	DESCRIPTION
A	01/30/04	UPDATE DRAWING FORMAT
B	06/21/05	MODIFY PART DESCRIPTION



QTY	FINISH	MATERIAL	DESCRIPTION
1	GOLD	BRASS	CONTACT PIN
1	NATURAL	TEFLON	INSULATOR
1	GOLD	BRASS	BODY
			DESCRIPTION

UNLESS OTHERWISE SPECIFIED, DIMENSIONS ARE IN INCHES UNLESS INDICATED OTHERWISE IN PARAGRAPHS AND FOR CUSTOMER REFERENCE ONLY.	UNLESS OTHERWISE SPECIFIED, DIMENSIONS ARE IN MILLIMETERS UNLESS INDICATED OTHERWISE IN PARAGRAPHS AND FOR CUSTOMER REFERENCE ONLY.
UNLESS OTHERWISE SPECIFIED, TOLERANCES FOR MILLIMETERS ARE:	UNLESS OTHERWISE SPECIFIED, TOLERANCES FOR INCHES ARE:
0.5 - 8mm ± 0.20mm	.020 - .315 = ± 0.007"
8 - 30mm ± 0.40mm	.315 - 1.180 = ± 0.015"
30 - 120mm ± 0.50mm	1.180 - 4.724 = ± 0.020"

APPROVALS	DATE
DRAWN G.R.S.	06/21/05
CHECKED	
ISSUED	
SHEET 1 OF 1	

CAD FILE	DWG. NO.	REV.	SIZE	SCALE
C:/242/242144.DWG	242144.DWG	B	A	NA

PART DESCRIPTION	PART NO.
SMA PLUG TO SMB JACK ADAPTER	242144