

MICRO SWITCH

FREERPORT, ILLINOIS, U.S.A.
A DIVISION OF HONEYWELL
FED. MFG. CODE 91929

SWITCH--TOGGLE

CATALOG LISTING
104TL2 SERIES

CHART 2

MILITARY STANDARD NUMBER
⑤

CATALOG LISTING
⑤

AVAILABLE LOCKING COMBINATIONS FOR CONFIGURATION SEE LETTERED DETAILS

CIRCUIT MADE WITH TOGGLE LEVER IN
KEYWAY SIDE (1-2, 4-5, 7-8, 10-11)
CENTER (1-2, 4-5, 7-8, 10-11)
OPPOSITE KEYWAY (2-3, 5-6, 8-9, 11-12)

CURRENT CAPACITY (AMPS)
RESISTIVE LOAD DC VOLTS AC VOLTS
LAMP LOAD
INDUCTIVE LOAD

THIS DRAWING COVERS A PROPRIETARY ITEM AND IS THE PROPERTY OF MICRO SWITCH, A DIVISION OF HONEYWELL. THIS DRAWING IS NOT TO BE COPIED OR USED WITHOUT THE APPROVAL OF MICRO SWITCH.

104TL2 SERIES
CHART 2
PAGE 1 OF 1

M

DRAWING NUMBER

ISSUE

REVISIONS

A	PR-6855
J A P	19 DEC 77
B	CO 49144
R J H	22 APR 81
C	CO-50496
K A S	16 NOV 81
D	CO56074
G J W	26 NOV 84
E	CO57478
T A D	12 JUL 85
F	204911
G R T	19 FEB 02

THIRD ANGLE PROJECTION

SCALE FULL

DO NOT SCALE PRINT

TOLERANCES

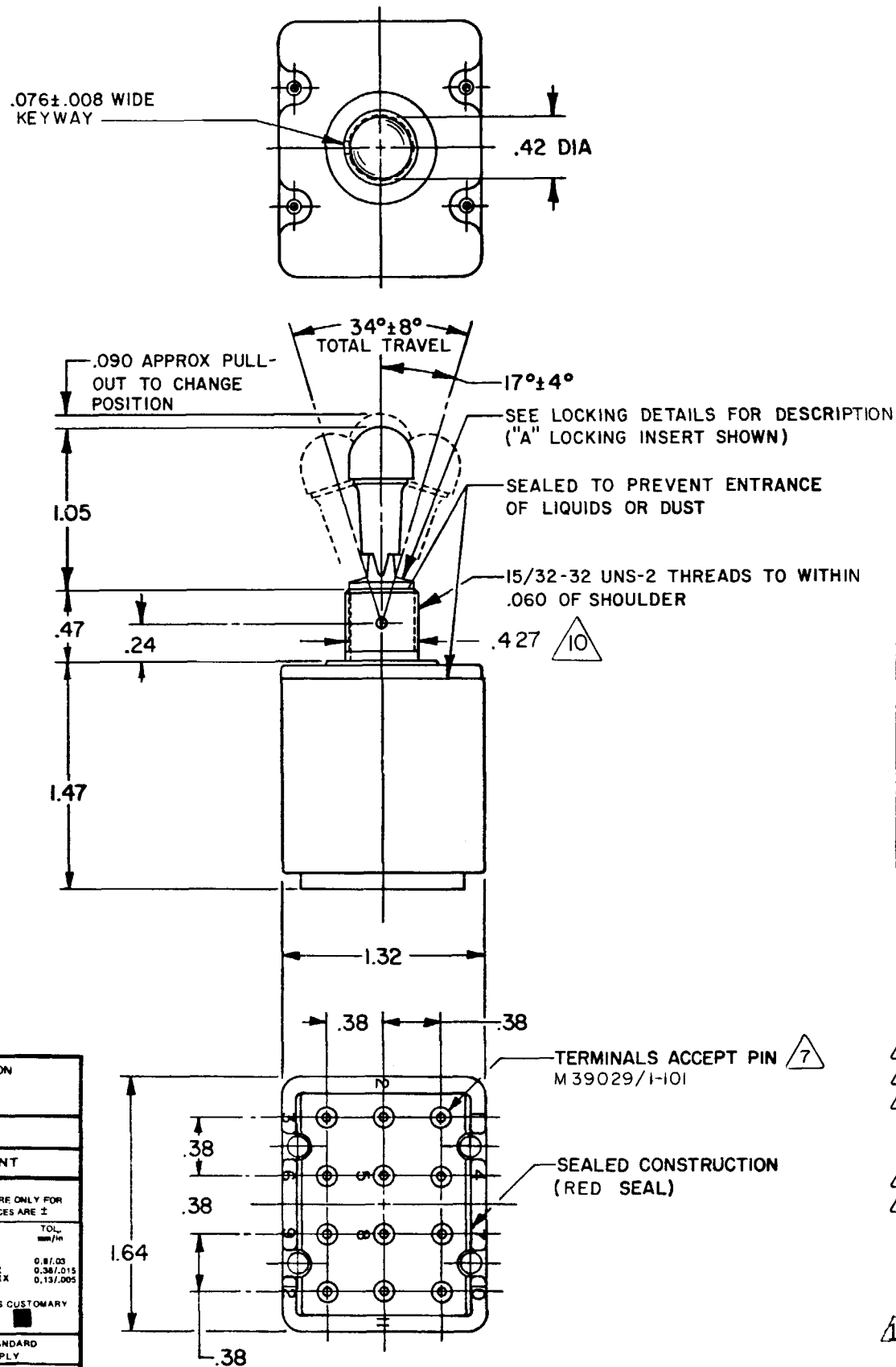
DIM.	TOL.	DIM.	TOL.
mm	mm/in	in	mm/in
NO PLACES	X	17.04	
ONE PLACE	X,X	0.4/016	X,X 0.87/03
TWO PLACES	X,XX	0.15/008	X,XX 0.38/015
THREE PLACES	X,XXX		X,XXX 0.13/005

DESIGN UNITS METRIC US CUSTOMARY

RAW MATERIAL--COMMERCIAL STANDARD
MICRO SWITCH STANDARDS APPLY
DIMENSIONS ARE TO BE MET BEFORE
PROTECTIVE COATINGS ARE APPLIED

WEIGHT

104TL2 SERIES
CHART 2



MS27789-21	104TL2-1	A,B,D,E,F,G,H,J,K,L,M,N,P	ON	OFF	ON									
MS27789-22	104TL2-2	D,F,G	OFF	NONE	ON									
MS27789-23	104TL2-3	D,F,G	ON	NONE	ON	7.5	.75	.5	7.5	6	5	4	7.5	7.5
MS27789-24	104TL2-21	E,F,K,M	NONE	OFF	ON									
MS27789-33	104TL2-31	E,F,K,M	NONE	ON	ON									
MS27789-29	104TL2-4	F	MOM OFF	NONE	ON									
MS27789-31	104TL2-5	E,F,K,L,M,N	MOM ON	OFF	ON									
MS27789-30	104TL2-6	F	MOM ON	NONE	OFF									
MS27789-27	104TL2-7	E,L,N	MOM ON	OFF	MOM ON	7.5	.75	.5	7.5	6	4	2	7.5	7.5
MS27789-26	104TL2-8	F	MOM ON	NONE	ON									
MS27789-32	104TL2-51	E	NONE	ON	MOM ON									
MS27789-28	104TL2-61	E	MOM ON	OFF	NONE									

"A" ④ LOCKED IN THREE POSITIONS	"B" ④ LOCKED IN CENTER AND EXTREME POSITION (KEYWAY SIDE)	"D" ④ LOCKED OUT OF CENTER POSITION	"E" ④ LOCKED IN CENTER POSITION	"F" ④ LOCKED IN EXTREME POSITION (OPPOSITE KEYWAY)	 .018 REF .60 DIA LOCKWASHER	
"G" ④ LOCKED IN EXTREME POSITION (KEYWAY SIDE)	"H" ④ LOCKED OUT OF CENTER AND EXTREME POSITION (KEYWAY SIDE)	"J" ④ LOCKED OUT OF CENTER AND EXTREME POSITION (OPPOSITE KEYWAY)	"K" ④ LOCKED IN CENTER AND EXTREME POSITION (OPPOSITE KEYWAY)	"L" ④ LOCKED OUT OF EXTREME POSITION (KEYWAY SIDE)		 .05 .040 .110 .72 DIA .392 LOCKING RING
"M" ④ LOCKED OUT OF AND INTO EXTREME POSITION (OPPOSITE KEYWAY)	"N" ④ LOCKED OUT OF EXTREME POSITION (OPPOSITE KEYWAY)	"P" ④ LOCKED OUT OF AND INTO EXTREME POSITION (KEYWAY SIDE)				

- NOTES
- SWITCHES ARE CAPABLE OF WITHSTANDING A TEMPERATURE OF 160°F CONTINUOUSLY AT FULL RATED LOAD
 - CIRCUIT DESIGNATION, MICRO SWITCH CATALOG LISTING AND "MS" NUMBER STAMPED ON SIDE OF SWITCH
 - FURNISHED UNASSEMBLED
 - KEYWAY SHOWN ON LEFT SIDE
 - SUFFIX LETTER MUST BE ADDED FOR DESIRED TYPE OF TOGGLE LOCKING. SEE CHART FOR AVAILABLE LOCKING COMBINATIONS
 - APPLIES ONLY TO "ON" AND "MOMENTARY ON" POSITIONS
 - THE SEALING GROMMET SHALL SEAL ON A SMOOTH WIRE INSULATION OF .040 TO .083 DIAMETERS (16-20 GAGE)
 - UNUSED TERMINAL HOLES MAY BE SEALED WITH PLUGS M83723-28-20
 - THE SWITCHES ARE QUALIFIED UNDER MIL-S-3950
 - FROM BOTTOM OF KEYWAY TO MAJOR DIA. OF 15/32 THREAD

