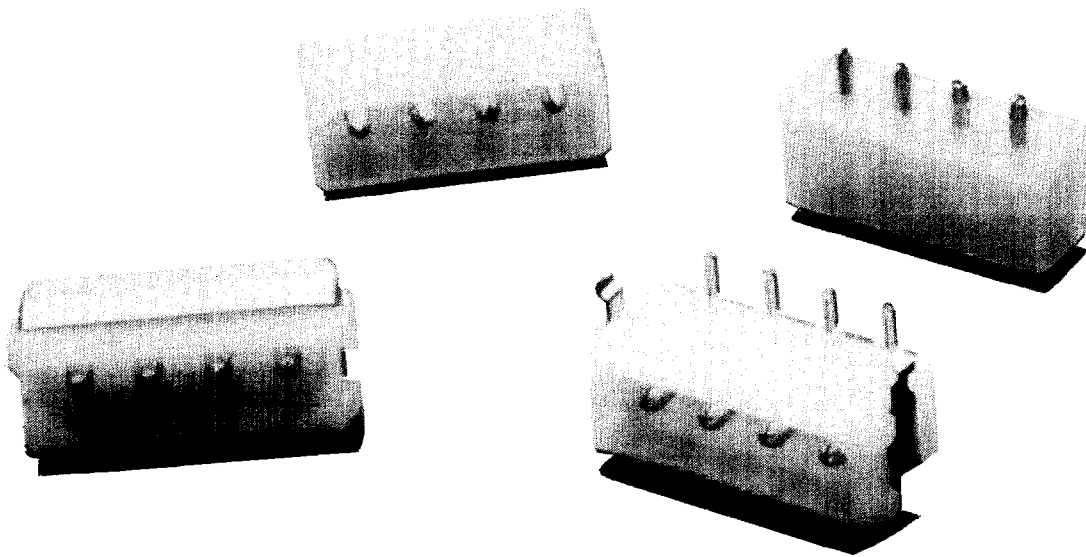


## Series 9091 4-Pin Plug FDD (Floppy Disk Drive) Connector

---



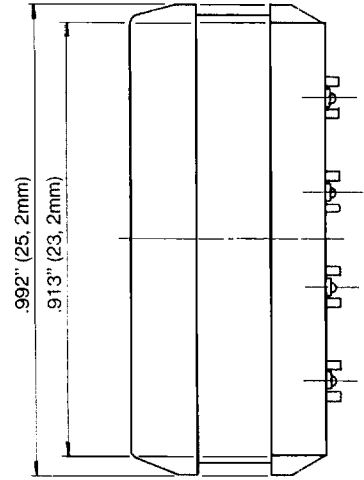
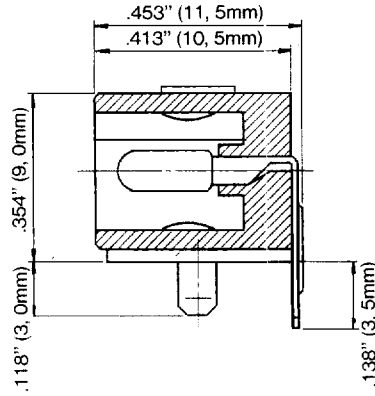
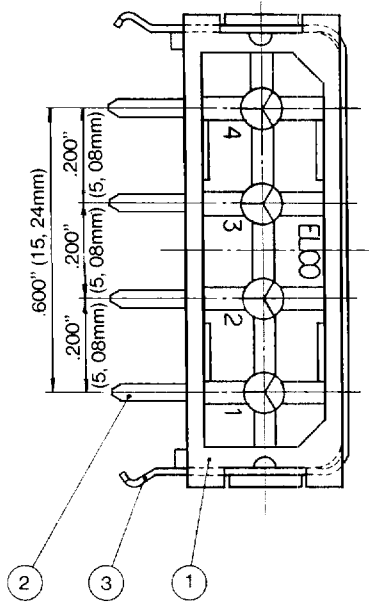
### DESCRIPTION

Series 9091 4-Pin Plug Connectors are designed to mate with AMP Mate-N-Lock® receptacle, part number 1-480424-0, and are single piece insulators designed to accept right-angled pin contacts on .200" (5,08mm) spacing. The 9091 can be soldered to the PC board; .047" (1,2mm) hole size. Insulator material is 6/6 Nylon, natural color. Contacts are brass with tin/lead plating. The 9091 is a power connector for power supply applications with a maximum rated current of five amps and with a voltage capability of 1500 volts despite its small size.

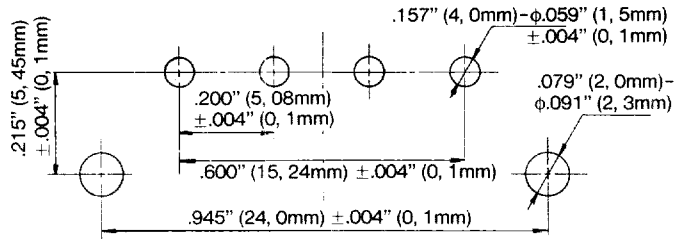
### SPECIFICATIONS

- Current rating: Depends on mating AMP part 1-480424-0 (AWG. #14-30)
- Contact resistance: 16 milliohms max.
- Withstanding voltage: 1500V rms/sea level
- Insulation resistance: 100 Megohms min.
- Contact retention force: 4.40 lbs. (2.0kg) min.
- Insulator: 6-6 nylon, 94V-2 or 94V-0
- Contact: Brass, tin lead plated; thickness, .012" (0,3mm)
- Strain relief: Brass, tin lead plated; thickness, .012" (0,3mm)

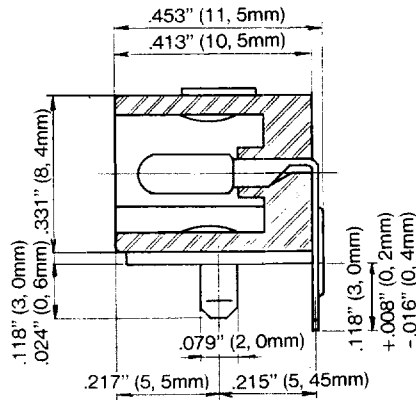
STANDARD TYPE A\*



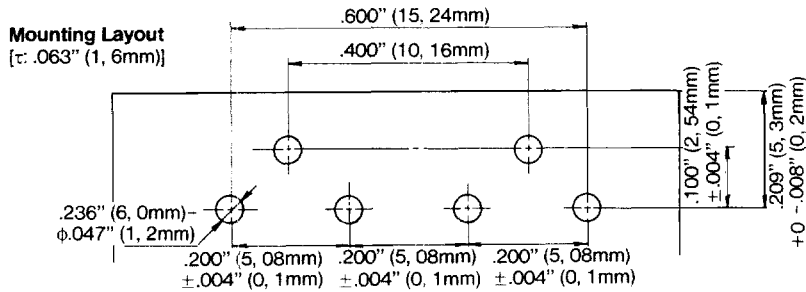
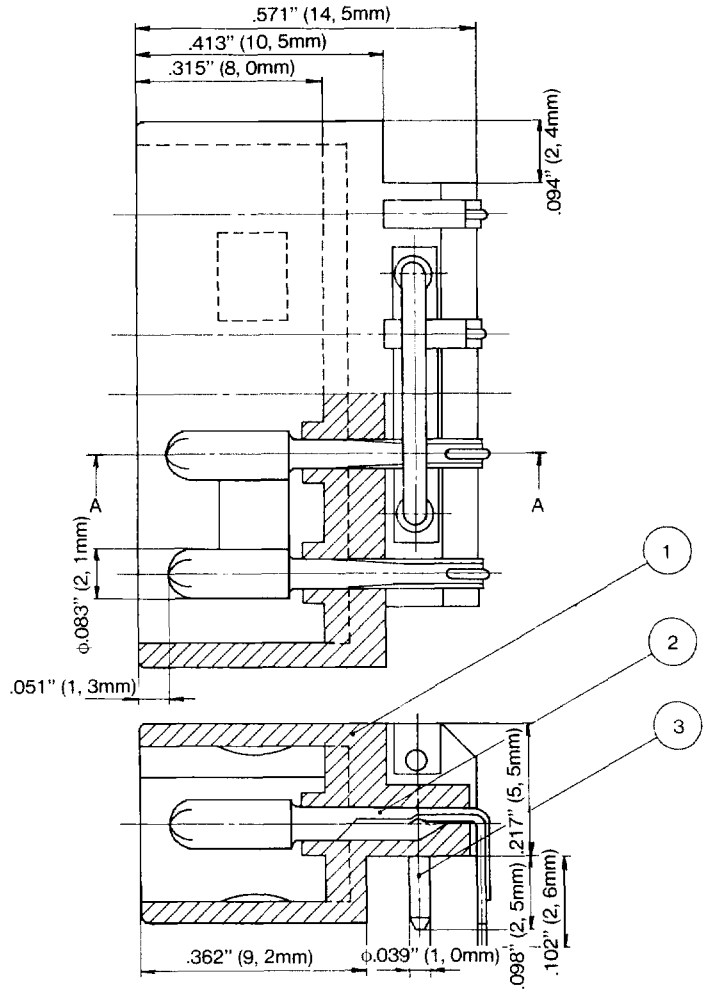
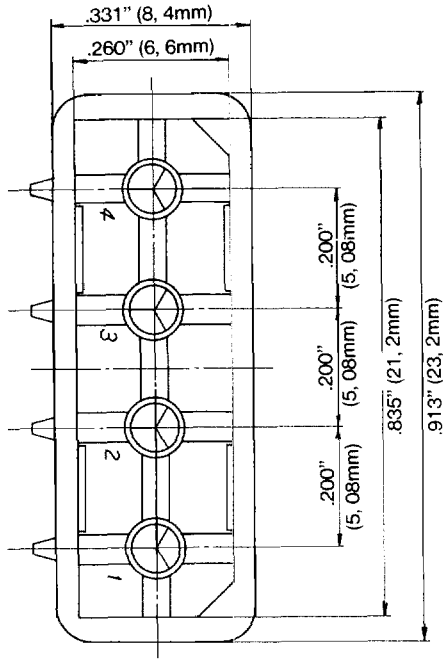
Mounting Layout [τ: .063" (1.6mm)]



STANDARD TYPE B  
(Reverse Mating Direction)

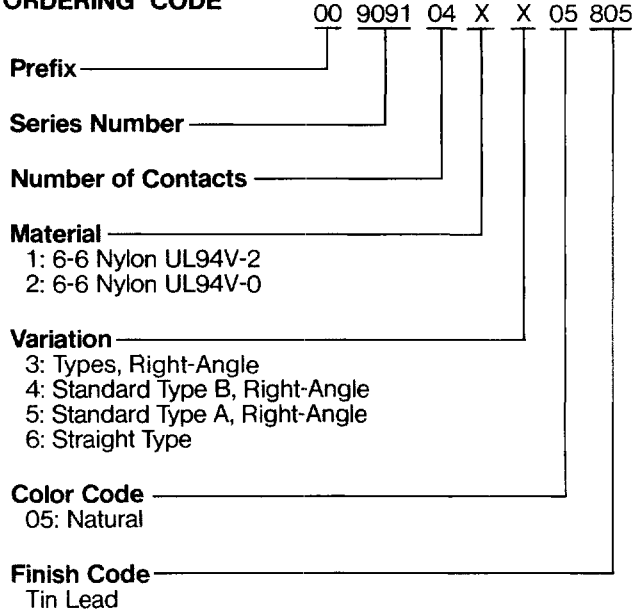


LIMITED TYPE  
(Special Strain Relief)



# Series 9091 4-Pin Plug FDD (Floppy Disk Drive) Connector

**ORDERING CODE**



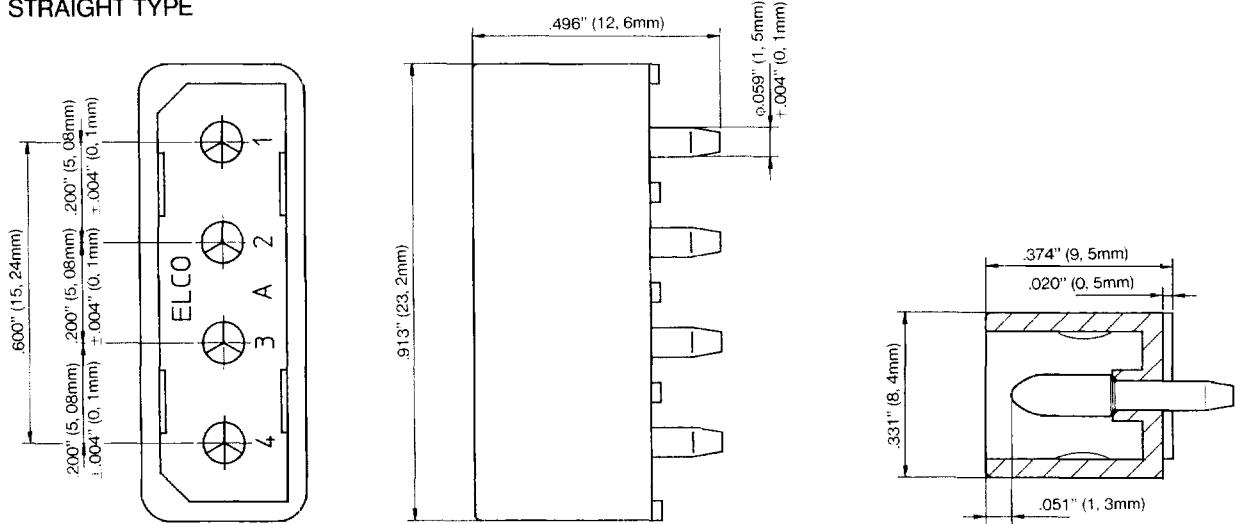
1: 6-6 Nylon UL94V-2  
2: 6-6 Nylon UL94V-0

3: Types, Right-Angle  
4: Standard Type B, Right-Angle  
5: Standard Type A, Right-Angle  
6: Straight Type

05: Natural

Tin Lead

**STRAIGHT TYPE**



**Mounting Layout**  
[ ± .063" (1.6mm) ]

