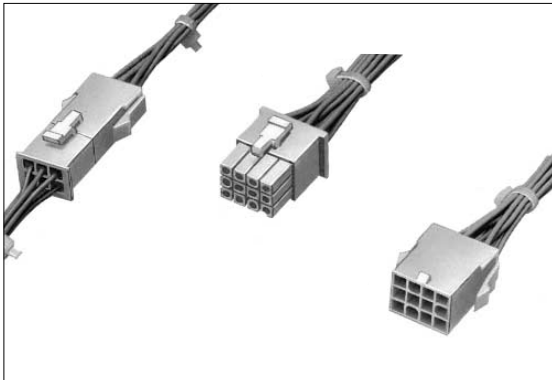
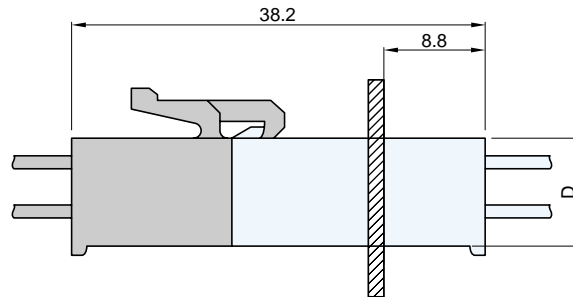


# PL-2 Series 4.2mm Spacing In-Line Type



## ■ Connection Diagram

嵌合図



| □□<br>No. of Pins | D    |
|-------------------|------|
| 2                 | 9.8  |
| 3                 | 14.0 |
| 4                 | 9.8  |
| 6                 | 9.8  |
| 9                 | 11.8 |
| 12                | 11.8 |
| 15                | 11.8 |

## ■ Features

1. PL-2 series can be used for both relay between leads and the wall outlets for current circuits.
2. The housing structure is designed for attaching with a simple touch.
3. An assortment of 7 different pin types are available with PL-2 series connectors, including 2P,3P,4P,6P,9P,12P and 15P.

## ■ Specifications

1. Rating : 5A 250V AC/DC for 2P,3P,4P and 6P  
4A 250V AC/DC for 9P,12P and 15P
2. Contact Resistance : 10mΩ max.
3. Insulation Resistance : 1000MΩ min. at 500V DC
4. Withstanding Voltage : 1500V AC for one minute.
5. Operating Temperature : -25°C to +85°C
6. Applicable Wire Size : AWG18 to 28  
(Sheath dia.  $\phi$ 3.0 to  $\phi$ 1.2mm)
7. Applicable PC Board Thickness : 0.8mm to 2.0mm

## ■ Note

- Contact the company for the Safety Standards. In addition to the sockets for panels, sockets (2P,3P,4P) exclusively used for in-line type are available.

## 特 長

1. リード線とリード線を中継又はコンセントとしてしよう出来る圧着タイプのコネクタです。
- 2.ハウジングはパネルにワンタッチ装着又は中継として使用します。
- 3.極数は2、3、4、6、9、12、15Pの7種をシリーズ化しています。

## 仕 様

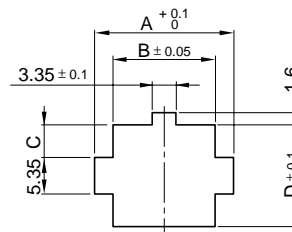
- |            |                          |
|------------|--------------------------|
| 1. 定格電圧電流  | 2、3、4、6P AC250V 5A       |
|            | 9、12、15P AC250V 4A       |
| 2. 接 触 抵 抗 | 10m 以下                   |
| 3. 絶 縁 抵 抗 | DC500V 1000M 以上          |
| 4. 耐 電 圧   | AC1500V 1分間              |
| 5. 使用温度範囲  | - 25 ~ + 85              |
| 6. 適合電線範囲  | AWG18 ~ 28(被覆外径 3.0~1.2) |
| 7. 適合基板厚   | 0.8 ~ 2.0mm              |

## 特 記

- 安全規格については別途お問い合わせ下さい。ソケットはパネル用のほかに中継専用タイプ(2、3、4P)も有ります。

## ■ Mounting Holes for PC Board

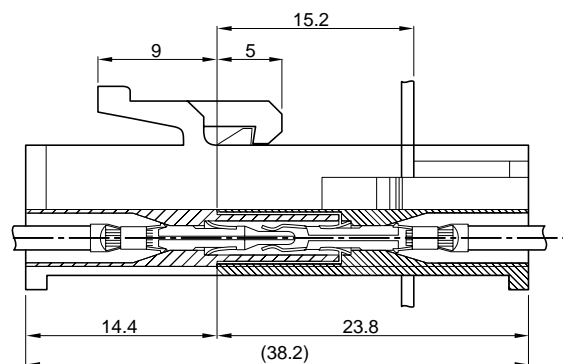
取付基板参考図



| □□<br>No. of Pins | Part No.      | A    | B     | C   | D     |
|-------------------|---------------|------|-------|-----|-------|
| 2                 | W-E2302-2N#01 | 10.7 | 6.15  | 2.5 | 10.35 |
| 3                 | W-E2303-2N#01 | 10.7 | 6.15  | 4.6 | 14.55 |
| 4                 | W-E2304-2N#01 | 14.9 | 10.35 | 2.5 | 10.35 |
| 6                 | W-E2306-2N#01 | 19.1 | 14.55 | 2.5 | 10.35 |
| 9                 | W-E2309-2N#01 | 19.1 | 14.55 | 4.6 | 14.55 |
| 12                | W-E2312-2N#01 | 23.3 | 18.75 | 4.6 | 14.55 |
| 15                | W-E2315-2N#01 | 27.5 | 22.95 | 4.6 | 14.55 |

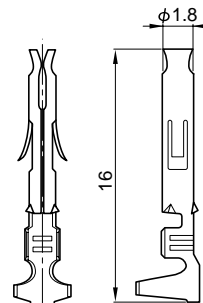
## ■ Structural Diagram

構造図



### Socket Terminal ソケットターミナル

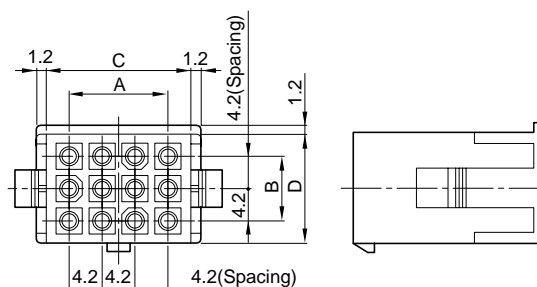
| Part No.<br>図番 | Applicable Electrical Wire Size<br>適合電線範囲 (AWG) | Electrical Wire Sheath Dia.<br>電線被覆外径 (mm) | Material<br>材質 | Plating<br>表面処理                             | No. of Terminal/<br>Reel<br>個数 / リール |
|----------------|---|--|----------------|---|--------------------------------------|
| W-T5312-11#01  | 18 ~ 22   | 3.0 ~ 1.7                                  | Brass<br>黄銅    | Tinned (Reflow Treatment)<br>すずめっき (リフロー処理) | 7000                                 |
| W-T5313-11#01  | 22 ~ 28   | 2.5 ~ 1.2                                  |                |   |                                      |



### Socket Housing ソケットハウジング

W-E23□□-2N#01

| □□<br>No. of Pins | Part No.      | A    | B   | C    | D    |
|-------------------|---------------|------|-----|------|------|
| 2                 | W-E2302-2N#01 | —    | 4.2 | 5.6  | 9.8  |
| 3                 | W-E2303-2N#01 | —    | 8.4 | 5.6  | 14.0 |
| 4                 | W-E2304-2N#01 | 4.2  | 4.2 | 9.8  | 9.8  |
| 6                 | W-E2306-2N#01 | 8.4  | 4.2 | 14.0 | 9.8  |
| 9                 | W-E2309-2N#01 | 8.4  | 8.4 | 14.0 | 11.8 |
| 12                | W-E2312-2N#01 | 12.6 | 8.4 | 18.2 | 11.8 |
| 15                | W-E2315-2N#01 | 16.8 | 8.4 | 22.4 | 11.8 |

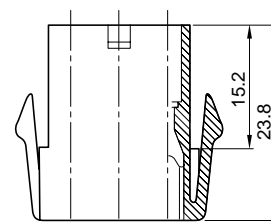


#### Material and Plating

Housing : Polyamide (Natural Color) 94V-2

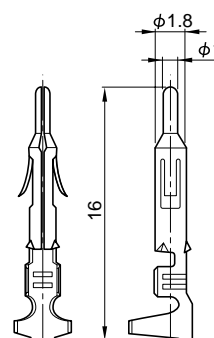
#### 材質・表面処理

ハウジング : ポリアミド 原色 94V-2



### Plug Terminal プラグターミナル

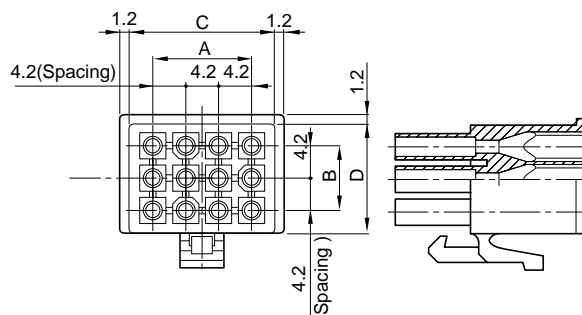
| Part No.<br>図番 | Applicable Electrical Wire Size<br>適合電線範囲 (AWG) | Electrical Wire Sheath Dia.<br>電線被覆外径 (mm) | Material<br>材質 | Plating<br>表面処理                             | No. of Terminal/<br>Reel<br>個数 / リール |
|----------------|---|--|----------------|---|--------------------------------------|
| W-T0302-11#01  | 18 ~ 22   | 3.0 ~ 1.7                                  | Brass<br>黄銅    | Tinned (Reflow Treatment)<br>すずめっき (リフロー処理) | 7000                                 |
| W-T0313-11#01  | 22 ~ 28   | 2.5 ~ 1.2                                  |                |   |                                      |



### Plug Housing プラグハウジング

W-E22□□-2N#01

| □□<br>No. of Pins | Part No.      | A    | B   | C    | D    |
|-------------------|---------------|------|-----|------|------|
| 2                 | W-E2202-2N#01 | —    | 4.2 | 5.6  | 9.8  |
| 3                 | W-E2203-2N#01 | —    | 8.4 | 5.6  | 14.0 |
| 4                 | W-E2204-2N#01 | 4.2  | 4.2 | 9.8  | 9.8  |
| 6                 | W-E2206-2N#01 | 8.4  | 4.2 | 14.0 | 9.8  |
| 9                 | W-E2209-2N#01 | 8.4  | 8.4 | 14.0 | 11.8 |
| 12                | W-E2212-2N#01 | 12.6 | 8.4 | 18.2 | 11.8 |
| 15                | W-E2215-2N#01 | 16.8 | 8.4 | 22.4 | 11.8 |



#### Material and Plating

Housing : Polyamide (Natural Color) 94V-0

#### 材質・表面処理

ハウジング : ポリアミド 原色 94V-0

