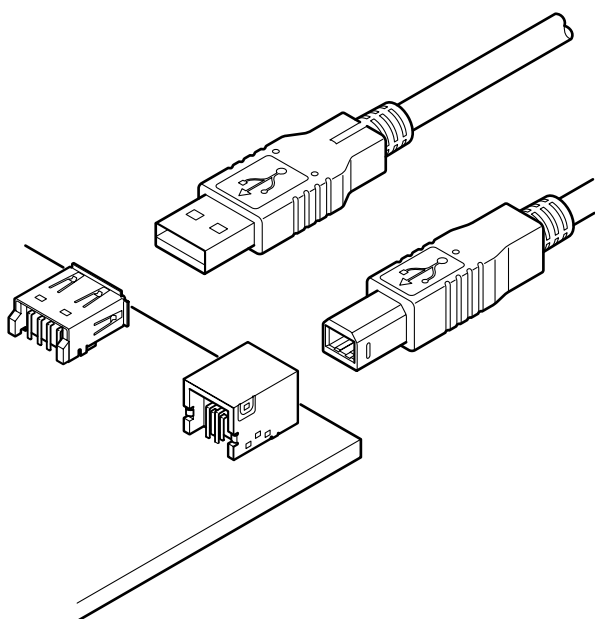


UB CONNECTOR

USB (Universal Serial Bus) Conforming Connector



Features

• **Conforms to USB (Universal Serial Bus) standards**

This connector conforms to the USB standards, that stipulate the serial interface between PC's and their peripherals.

Two types (A & B) are available.

• **Secure EMI shielding effect**

Metal shell of the receptacle and the metal cover of the plug securely shields from EMI. Meshed wires are crimped inside the metal cover of the plug for more reliable shielding effect.

• **Distortion preventive device**

Some receptacles have solder tabs to add additional security against the distortion.

• **SMT configuration**

SMT configuration type A receptacle is also available for reflow soldering.

Specifications

- Current rating: 1.0A AC, DC/ line
- Voltage rating: 30V AC, DC
- Temperature range: -55°C to +85°C
(including temperature rise in applying electrical current)
- Contact resistance: Initial value/30m max.
After environmental testing/max.
10m variation from initial value
- Insulation resistance: 1,000M min.
- Withstanding voltage: 750V AC/minute
- Applicable wire (Plug): AWG #20 to #28
Insulation O.D. / 1.58 to 0.79mm (.062" to .031")
- Applicable cable O.D. (Plug): 5.3 to 3.4mm (.209" to .134")
- Applicable PC board thickness (Receptacle):
1.6mm (.063")

* Contact JST for details.

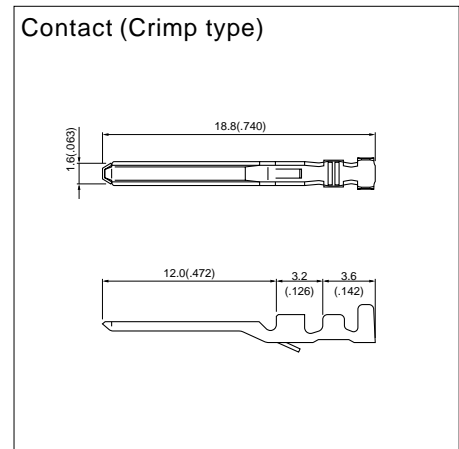
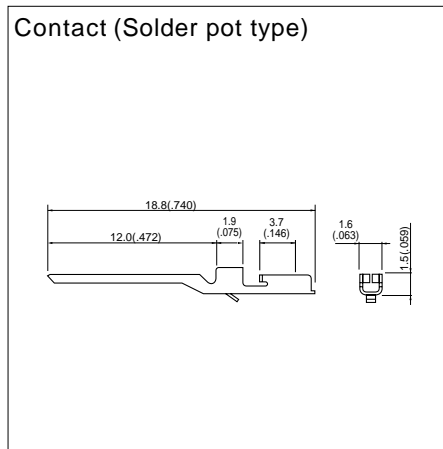
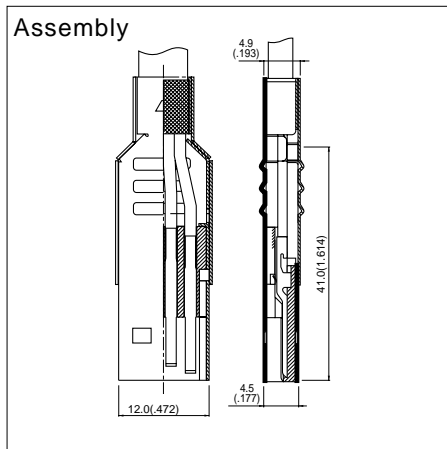
Standards

Recognized E60389

Certified LR20812

UB CONNECTOR

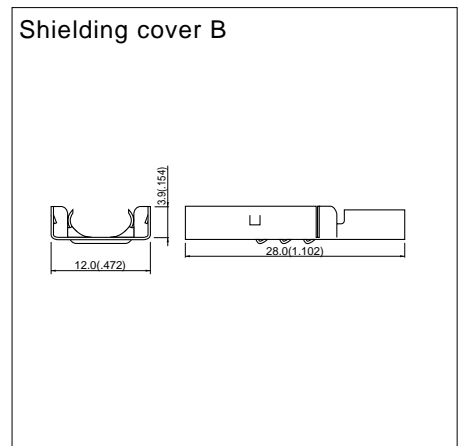
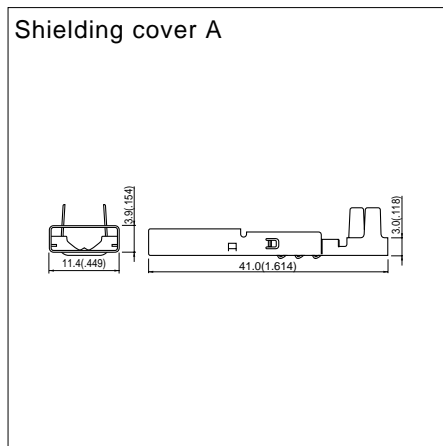
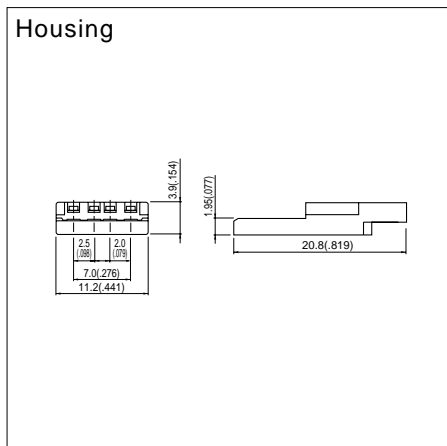
Plug type A



Model No.	Material and Finish	Qty / reel
UBB-DP210	Copper alloy, nickel-undercoated, selective gold-plated	12,000

Model No.	Applicable wire		Qty / reel
	AWG#	Insulation O.D. mm(in.)	
UBB-SP1110	24 to 20	1.03 to 1.58(.041 to .062)	10,000
UBB-SP2110	28 to 24	0.79 to 1.17(.031 to .046)	12,000

Material and Finish
Copper alloy, nickel-undercoated, selective gold-plated

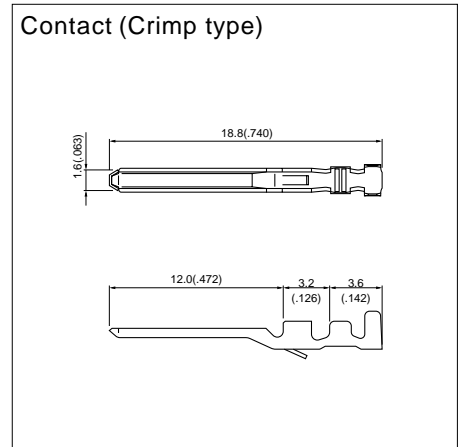
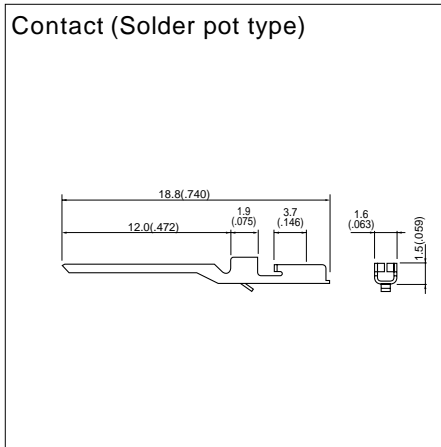
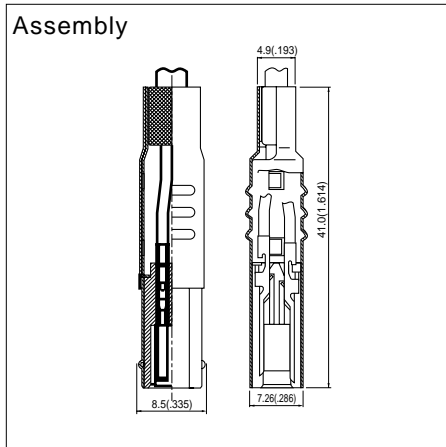


Model No.	Material	Qty / box
UBA-PH4-1	Glass-filled PBT, UL94V-0	500

Model No.	Material and Finish	Qty / box
UBA-SC4A	Mild steel, copper-undercoated, tin/lead-plated	400

Model No.	Material and Finish	Qty / box
UBA-SC4B	Mild steel, copper-undercoated, tin/lead-plated	1,000

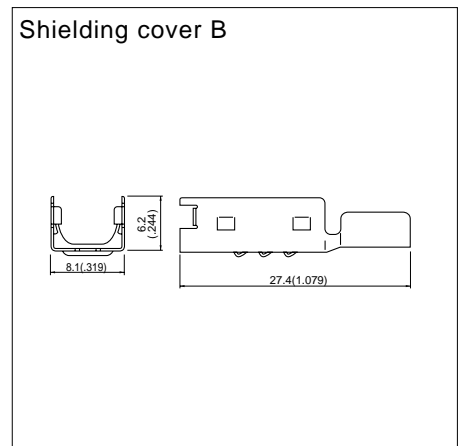
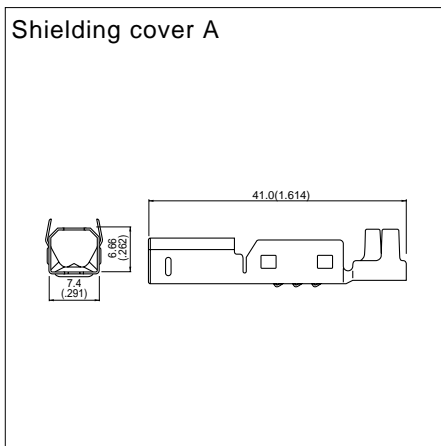
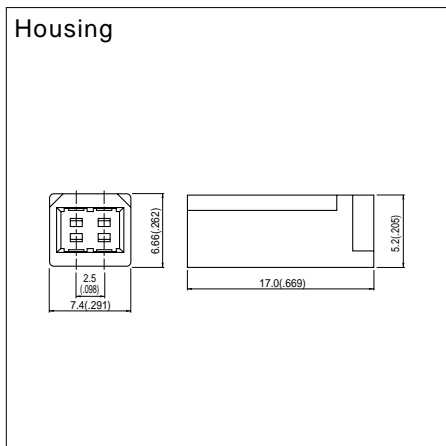
Plug type B



Model No.	Material and Finish	Q'ty / reel
UBB-DP210	Copper alloy, nickel-undercoated, selective gold-plated	12,000

Model No.	Applicable wire		Q'ty / reel
	AWG#	Insulation O.D. mm(in.)	
UBB-SP1110	24 to 20	1.03 to 1.58(.041 to .062)	10,000
UBB-SP2110	28 to 24	0.79 to 1.17(.031 to .046)	12,000

Material and Finish
Copper alloy, nickel-undercoated, selective gold-plated



Model No.	Material	Q'ty / box
UBB-PH4-1	Glass-filled PBT, UL94V-0	500

Model No.	Material and Finish	Q'ty / box
UBB-SC4A	Mild steel, copper-undercoated, tin/lead-plated	500

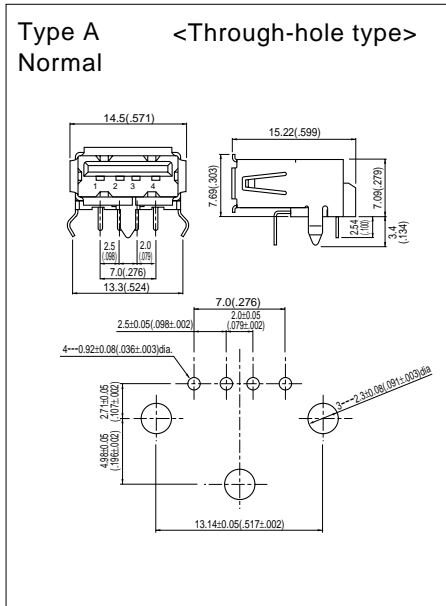
Model No.	Material and Finish	Q'ty / box
UBB-SC4B	Mild steel, copper-undercoated, tin/lead-plated	1,000

Applicator for the semi-automatic press AP-K2N

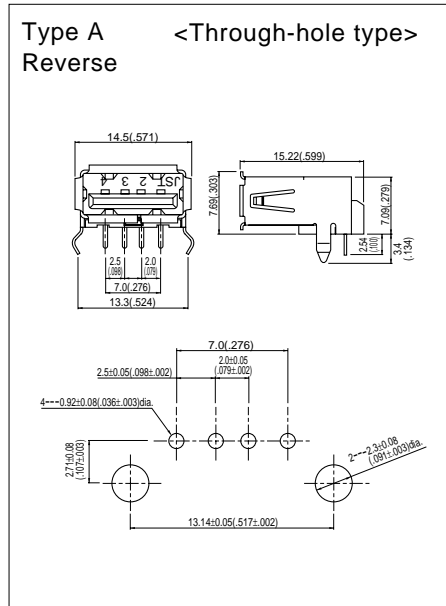
Contact	Crimp applicator MKS-L		Compact crimp applicator MKS-LS		Strip-crimp applicator MKS-SC
	with safety cover	without safety cover	with safety cover	without safety cover	with safety cover
UBB-SP1110	APLMK UBB-SP11	APLNC UBB-SP11	-	-	-
UBB-SP2110	APLMK UBB-SP21	APLNC UBB-SP21	-	-	-

UB CONNECTOR

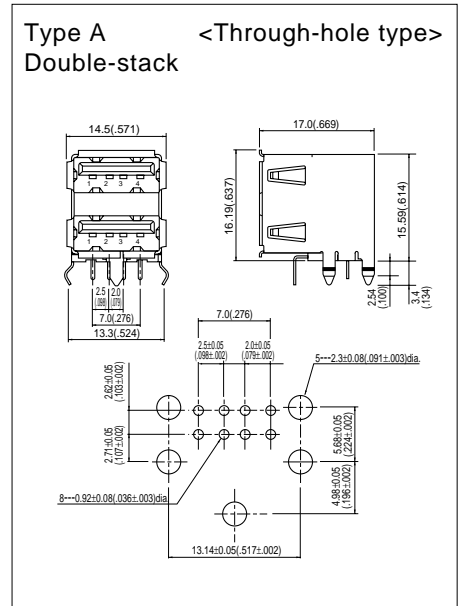
Receptacle



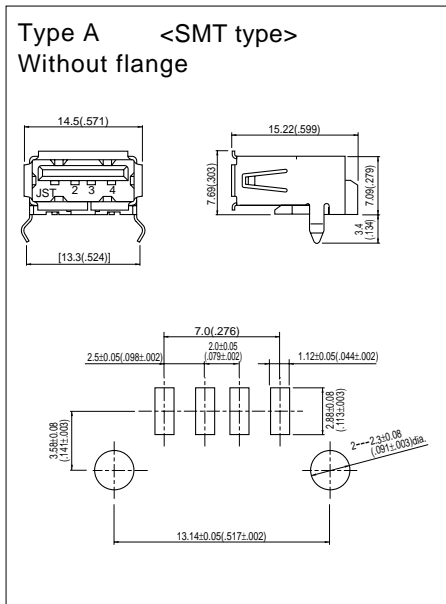
Model No.	Material and Finish	Qty / box
UBA-4R-D10T-1	Contact	Copper alloy, nickel-undercoated, selective gold-plated
	Housing	Glass-filled PBT, UL94V-0
	Shell	Copper alloy, copper-undercoated, tin/lead-plated
	Solder tab	
		250



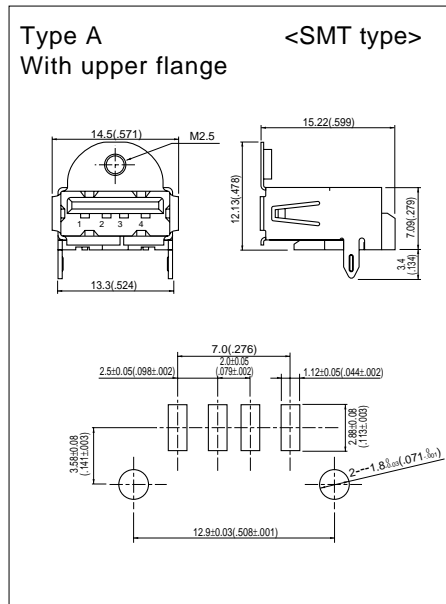
Model No.	Material and Finish	Qty / box
UBA-R4R-D10-1	Contact	Copper alloy, nickel-undercoated, selective gold-plated
	Housing	Glass-filled PBT, UL94V-0
	Shell	Copper alloy, copper-undercoated, tin/lead-plated
	Solder tab	
		250



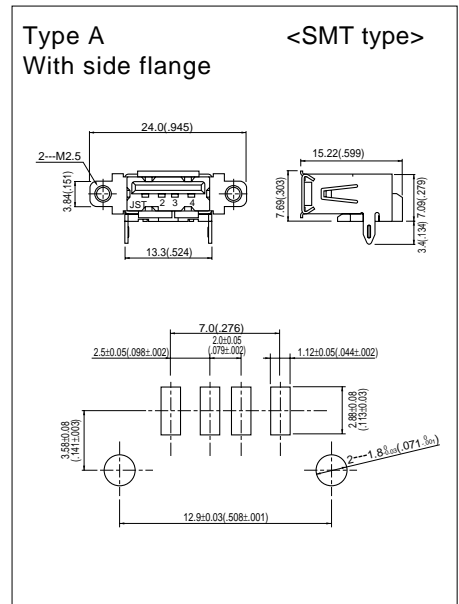
Model No.	Material and Finish	Qty / box
UBA-4RS-D10T-1	Contact	Copper alloy, nickel-undercoated, selective gold-plated
	Housing	Glass-filled PBT, UL94V-0
	Locator	Glass-filled PBT, UL94V-0
	Shell	Copper alloy, copper-undercoated, tin/lead-plated
	Solder tab	
		210



Model No.	Material and Finish	Qty / box
UBA-4R-S10-2	Contact	Copper alloy, nickel-undercoated, selective gold-plated
	Housing	Glass-filled PPS, UL94V-0
	Shell	Copper alloy, tin/nickel-plated
		250

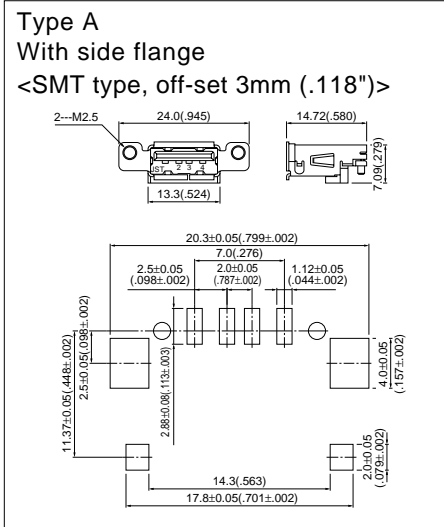


Model No.	Material and Finish	Qty / box
UBA-4R-S10C-2	Contact	Copper alloy, nickel-undercoated, selective gold-plated
	Housing	Glass-filled PPS, UL94V-0
	Shell	Copper alloy, tin/nickel-plated
		216

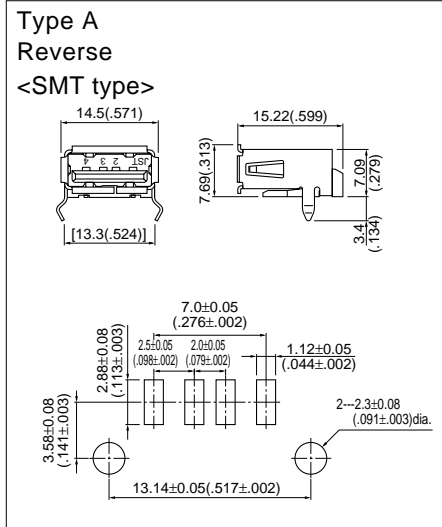


Model No.	Material and Finish	Qty / box
UBA-4R-S10A-2	Contact	Copper alloy, nickel-undercoated, selective gold-plated
	Housing	Glass-filled PPS, UL94V-0
	Shell	Copper alloy, tin/nickel-plated
		192

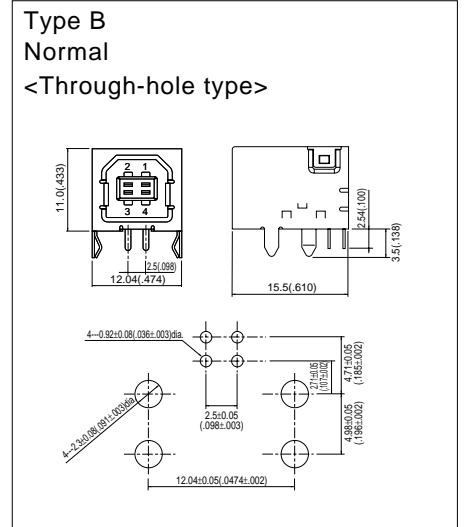
Receptacle



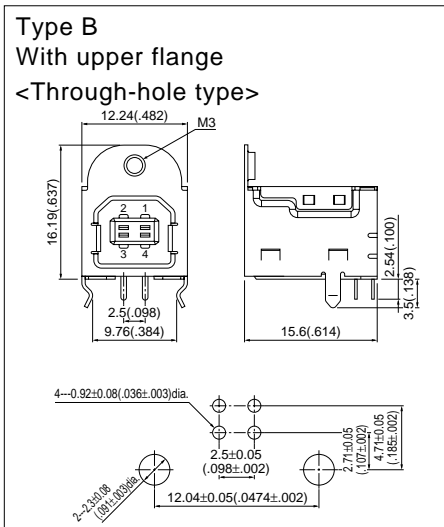
Model No.	Material and Finish	Qty / box
UBA-4R-S10B-2	Contact	Copper alloy, nickel-undercoated, selective gold-plated
	Housing	Glass-filled PPS, UL94V-0
	Shell	Copper alloy, tin/nickel-plated
		378



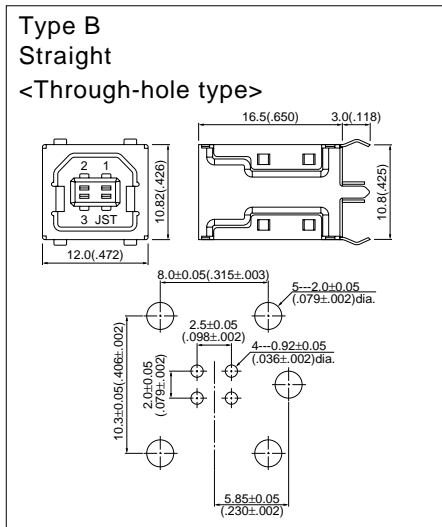
Model No.	Material and Finish	Qty / box
UBA-R4R-S10-2	Contact	Copper alloy, nickel-undercoated, selective gold-plated
	Housing	Glass-filled PPS, UL94V-0
	Shell	Copper alloy, tin/nickel-plated
		250



Model No.	Material and Finish	Qty / box
UBB-4R-D10T-1	Contact	Copper alloy, nickel-undercoated, selective gold-plated
	Housing	Glass-filled PBT, UL94V-0
	Shell	Copper alloy, copper-undercoated, tin/lead-plated
		270



Model No.	Material and Finish	Qty / box
UBB-4R-D14C	Contact	Copper alloy, nickel-undercoated, selective gold-plated
	Housing	Glass-filled PBT, UL94V-0
	Shell	Copper alloy, copper-undercoated, tin/lead-plated
		270



Model No.	Material and Finish	Qty / box
UBBS-4R-D10	Contact	Copper alloy, nickel-undercoated, selective gold-plated
	Housing	Glass-filled PBT, UL94V-0
	Shell	Copper alloy, copper-undercoated, tin/lead-plated
		-