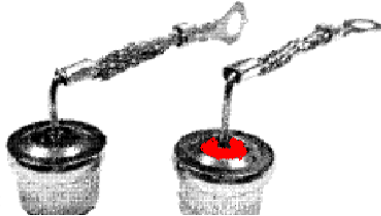




35Amp Flag Pressfit 1.0mm LEAD Auto Rectifiers

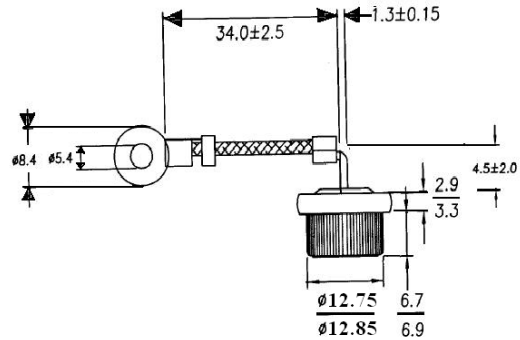
PFFR3501~3506 N/ P

DESCRIPTION



FLAG PRESS-FIT

MECHANICAL DIMENSIONS



DIMENSIONS IN INCHES (mm)

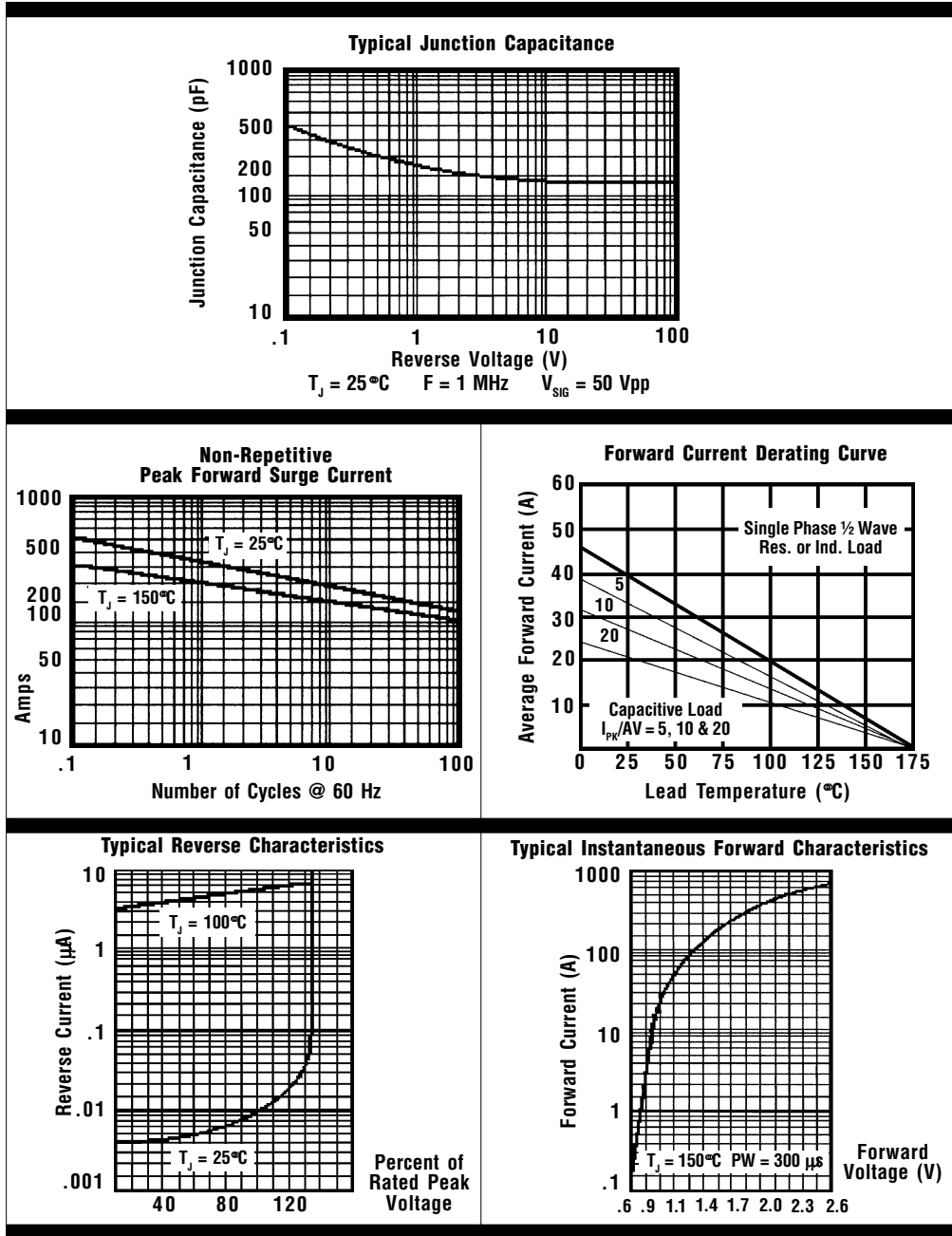
Features

- Low Cost
- Super Cool
- Long life Features
- High Current Capability

NOTE:

- **PFFR350XP Positive(Forward)(+)**
Cathode To Case, Color Code Red
- **PFFR350XP Negative(Reverse)(-)**
Anode To Case, Color Code Black

Electrical Characteristics@25C	Symbol	PFFR3501P	PFFR3502P	PFFR3504P	PFFR3506P	Unit
		PFFR3501N	PFFR3502N	PFFR3504N	PFFR3506N	
Average Forward Current, I _o at T _c =150C 60HZ, Resistive Or Inductive Load	I _F	35				A(DC)
Peak Reverse Voltage, Repetitive:VRRM	VRRM	100	200	400	600	V(DC)
DC Reverse Voltage, VR	V(DC)	100	200	400	600	
Maximum RMS Voltage	VRMS	70	140	280	420	
Max. Inst Forward Voltage Drop. VF at 80Amp	VF	1.15				V
Peak Forward Surge Current, IFM(surge): 8.3ms. Single Half Sine-Wave Superimposed On Rated Load (JEDEC method)	IFSM	400				A
Maximum Reverse Current IR At Rated DC Reverse Voltage. TC= 25C	IR	10				uA
Maximum Reverse Current IR At Rated DC Reverse Voltage. TC=100C	IR	500				uA
Maximum Thermal Resistance, Junction To Case (single side cooled)	R _{θJA}	1.2				C/W
Operating And Storage Temperature Range	T _j ; T _{strg}	-65 to +175				C



NOTES: 1. Measured @ 1 MHz and applied reverse voltage of 4.0V.
 2. Thermal Resistance Junction to Ambient, Jedec Method.
 3. When Mounted to heat sink, from body.

Ratings at 25 Deg. C ambient temperature unless otherwise specified.

Single Phase Half Wave, 60 Hz Resistive or Inductive Load.

For Capacitive Load, Derate Current by 20%.